



10G BASE-T 2X8PORT RJ45 CONNECTOR MODULE WITH MAGNETICS AND POE

P/N: XMH-PJHA403SNR-M

Page : 1/4

Feature

- Pin not electrically connected maybe omitted see electrical drawing for omitted pins.
- RJ45 cavities conform to FCC rules and regulation part 68.
- The part is recommended for wave soldering process peak soldering temperature is 260 °C max, 10 SECS max.

RJ45 Material Specification					
Part Number	Contact		Housing		Shield
	Material	Plating Area	Material	Specification	Material
XMH-PJHA403SNR-M	Phosphor Bronze	10-20m inches Nickel over selective gold plating 30µ inches	Thermoplastic	UL 94 V-0	Brass

* Operating temperature range: 0°C to +70°C. Storage temperature range: -40°C to +85°C.

ELECTRICAL SPECIFICATIONS @ 25°C

PARAMETER	SPECIFICATIONS		
TURNS RATIO	1.00 ± 2%		
POLARITY	PER SCHEMATIC		
INSERTION LOSS	100 KHz	1-400 MHz	
	-3.0 dB MAX	-2.0 dB MAX (-1.4dB TYP)	
RETURN LOSS (Z OUT=100 OHM ±1%)	1-100 MHz	100 MHz- 500 MHz	
	-22 dB MIN	-22+20.75LOG(F/100)	
INDUCTANCE (OCL)	180 uH MIN @ 100 KHz,100mV		
COMMON MODE REJECTION RATIO	1-40 MHz	40-100 MHz	100-500 MHz
	-30 dB MIN	-28 dB MIN	-26 dB MIN
COMMON TO DIFFERENTIAL MODE REJECTION (CDMR)	1-250 MHz	250-500 MHz	
	-30 dB MIN	-22 dB MIN	
CURRENT CARRYING CAPABILITY,RJ45 PIN1-8	500MA MAX		
INPUT-OUTPUT ISOLATION	2250 VDC MIN @ 60 SECONDS		
CROSSTALK,ADJACENT CHANNELS	1-100 MHz	100-500 MHz	
	-28dB MIN	-19dB MIN	

NOTE: f IS FERQUENCY IN MHz.

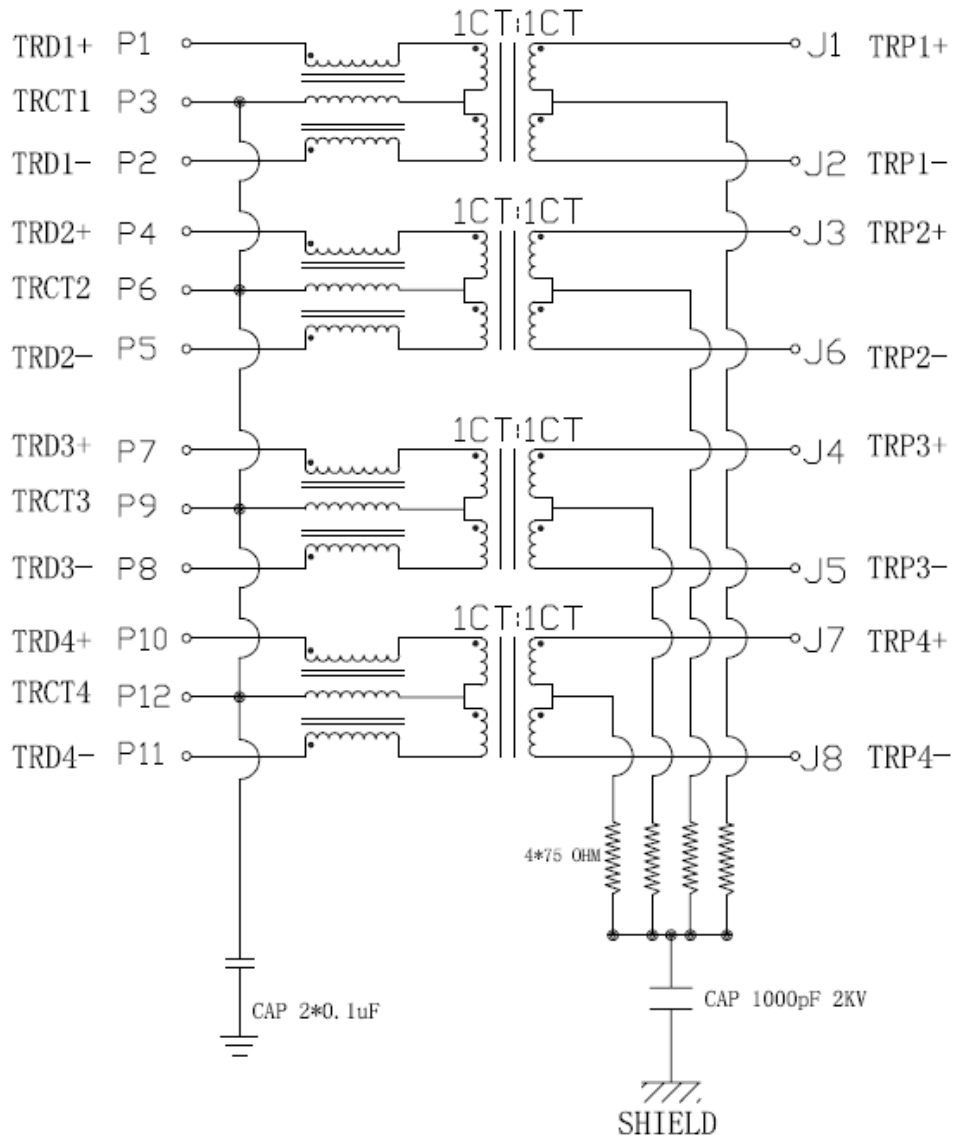
100% OF PRODUCTION TESTED TO COMPLY WITH IEEE 802.3 ISOLATION REQUIREMENTS.

10G BASE-T 2X8PORT RJ45 CONNECTOR MODULE WITH MAGNETICS AND POE

P/N: XMH-PJHA403SNR-M

Page : 2/4

Schematic



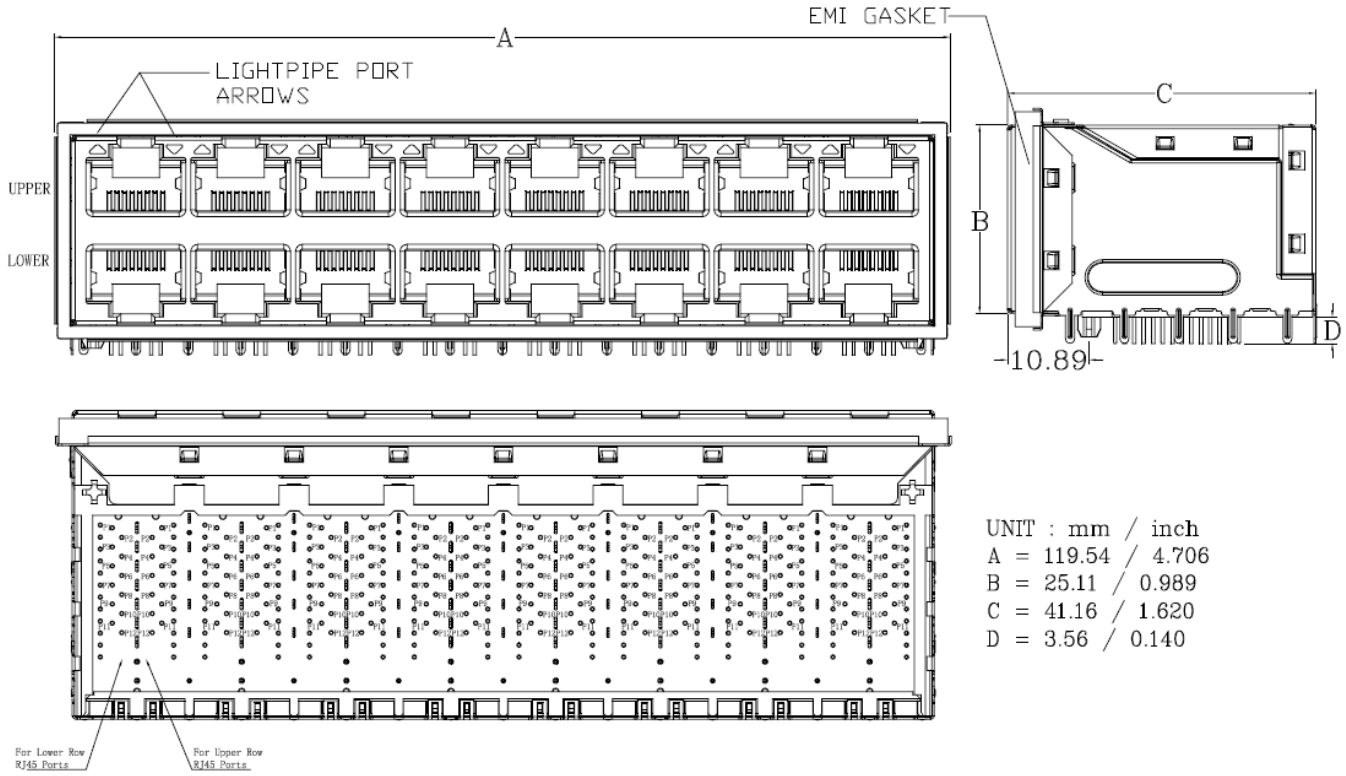


10G BASE-T 2X8PORT RJ45 CONNECTOR MODULE WITH MAGNETICS AND POE

P/N: XMH-PJHA403SNR-M

Page : 3/4

Mechanical



Units: mm/inch.
Tolerances: 0.254/0.010

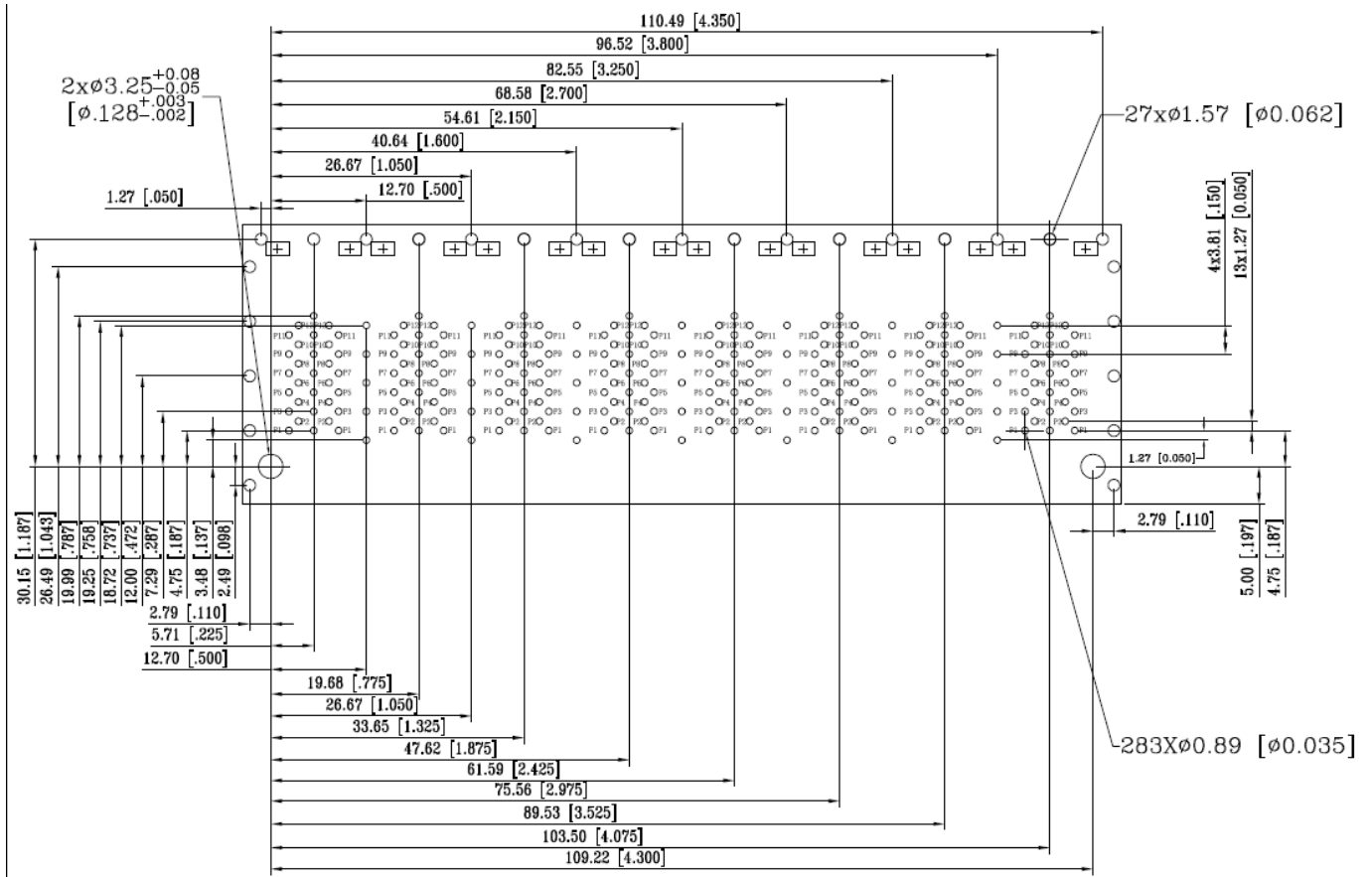


10G BASE-T 2X8PORT RJ45 CONNECTOR MODULE WITH MAGNETICS AND POE

P/N: XMH-PJHA403SNR-M

Page : 4/4

PCB Layout Mounting Hole (Top View)



Units: mm/inch.
Tolerances: 0.1/0.004

Note

Record of Revision		
Rev	Remark	Date
V0	Datasheet Set UP	2018/06/05
V1	Change PN from JHK403ZNRG to PJHA403SNR-M	2020/05/08