



10G BASE-T 2X1PORT RJ45 CONNECTOR MODULE WITH MAGNETICS AND LEDS AND POE

P/N: XMH-PJABQ63VNUA-M

Page : 1/3

Feature

- Pin not electrically connected maybe omitted see electrical drawing for omitted pins.
- RJ45 cavities conform to FCC rules and regulation part 68.
- The part is recommended for wave soldering process peak soldering temperature is 260 °C max, 10 SECS max.

Part Number	(Left Led)	17,18,19,20 (Right Led)
6	/	Green



RJ45 Material Specification					
Part Number	Contact		Housing		Shield
	Material	Plating Area	Material	Specification	Material
XMH-PJABQ63VNUA-M	Phosphor Bronze	10-20m inches Nickel over selective gold plating 30µ inches	PA66 Black	UL 94 V-0	Brass

* Operating temperature range: 0°C to +70°C. Storage temperature range: -40°C to +85°C.

ELECTRCAL SPECIFICATIONS @ 25°C

PARAMETER	SPECIFICATIONS		
URNS RATIO	1.00 ± 2%		
POLARITY	PER SCHEMATIC		
INSERTION LOSS	100 KHz	1-400 MHz	
	-3.0 dB MAX	-2.0 dB MAX (-1.4dB TYP)	
RETURN LOSS (Z OUT=100 OHM ±1%)	1-100 MHz	100 MHz- 500 MHz	
	-22 dB MIN	-22+20.75LOG(F/100)dB	
INDUCTANCE (OCL)	160 uH MIN @ 100 KHz		
COMMON MODE REJECTION RATIO	1-40 MHz	40-100 MHz	100-500 MHz
	-30 dB MIN	-28 dB MIN	-26 dB MIN
COMMON TO DIFFERENTIAL MODE REJECTION (CDMR)	1-250 MHz	250-500 MHz	
	-30 dB MIN	-22 dB MIN	
CURRENT CARRYING CAPABILITY,RJ45 PIN1-8	1.2A MAX@57VDC CONTINUDUS		
INPUT-OUTPUT ISOLATION	2250 VDC MIN @ 60 SECONDS		
CROSSTALK,ADJACENT CHANNELS	1-100 MHz	100-500 MHz	
	-28dB MIN	-19dB MIN	

NOTE: f IS FERQUENCY IN MHz.

100% OF PRODUCTION TESTED TO COMPLY WITH IEEE 802.3 ISOLATION REQUIREMENTS.

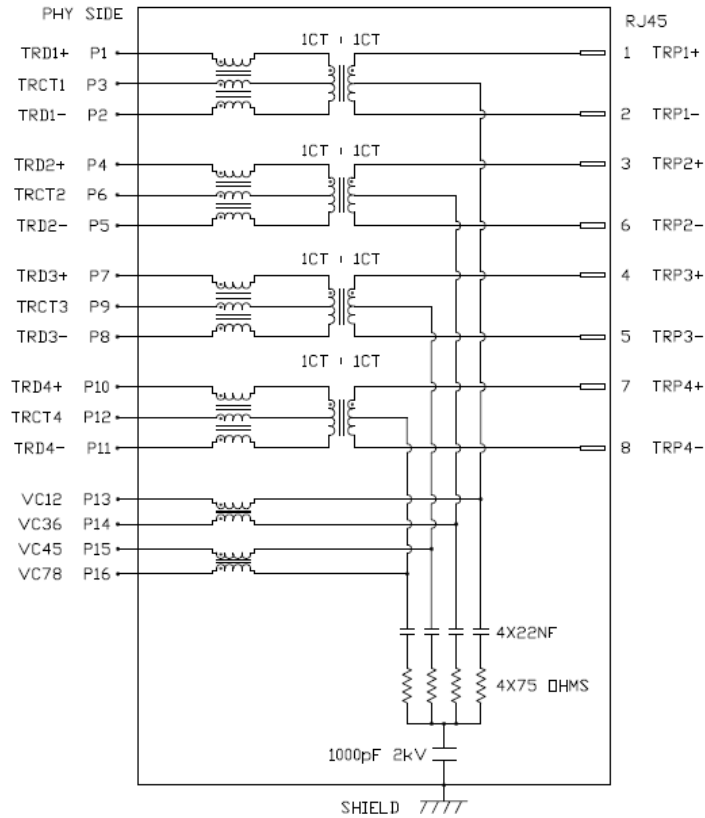


10G BASE-T 2X1PORT RJ45 CONNECTOR MODULE WITH MAGNETICS AND LEDS AND POE

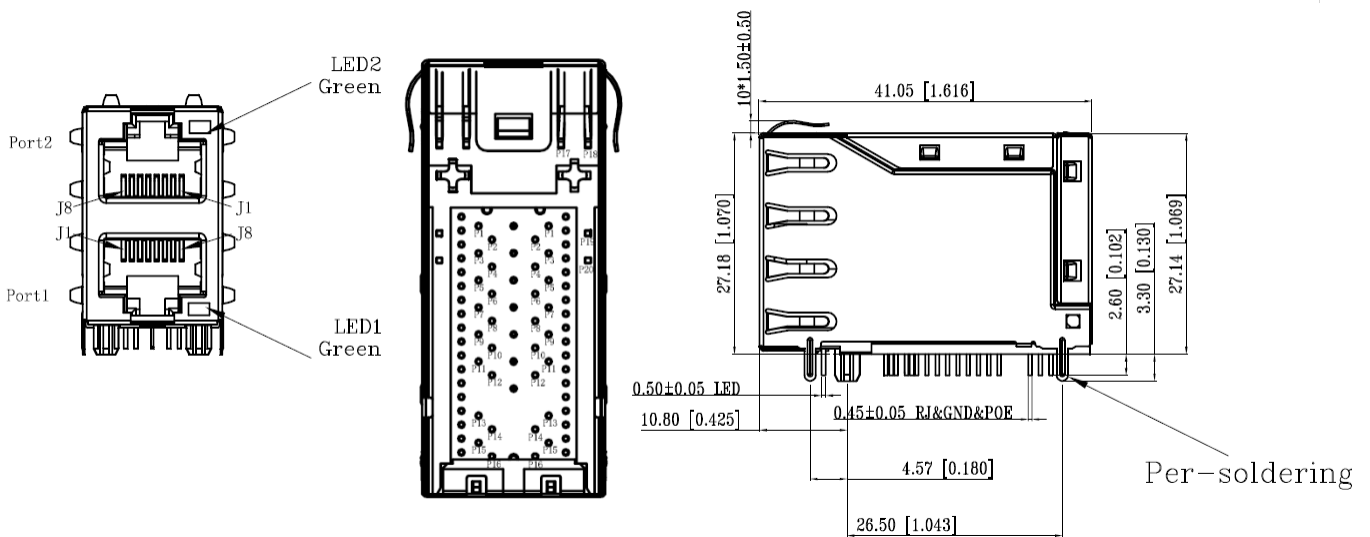
P/N: XMH-PJABQ63VNUA-M

Page : 2/3

Schematic



Mechanical



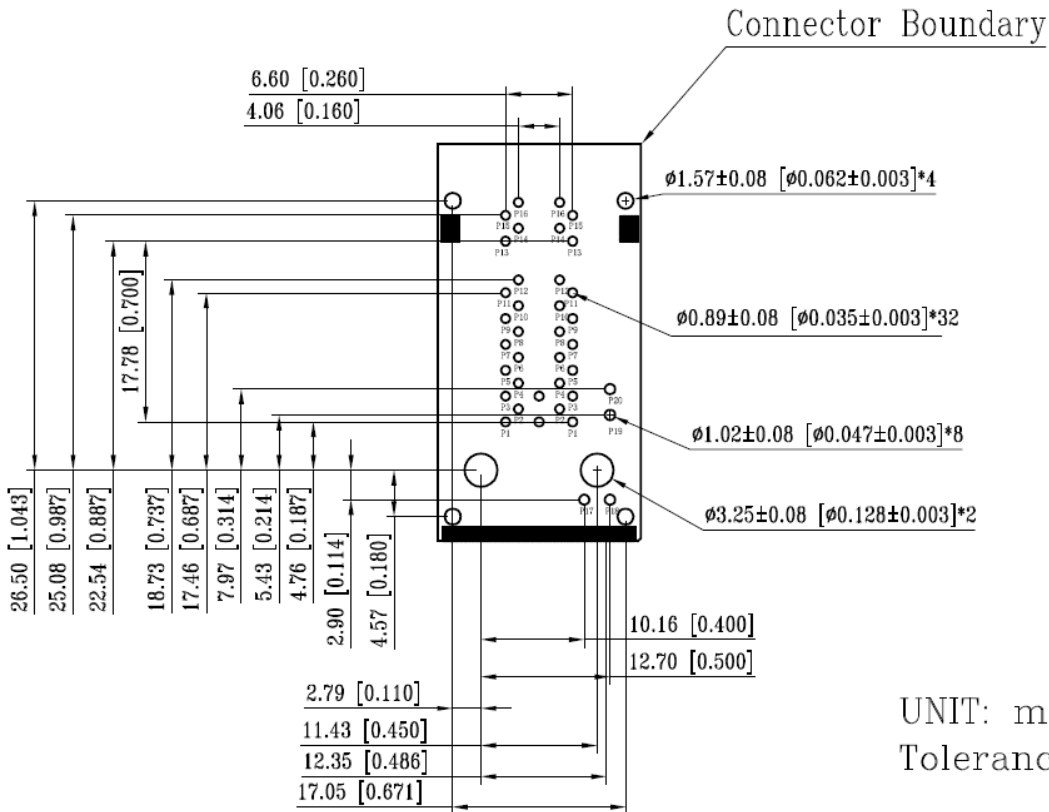
Units: mm/inch.
Tolerances: 0.254/0.010

10G BASE-T 2X1PORT RJ45 CONNECTOR MODULE WITH MAGNETICS AND LEDS AND POE

P/N: XMH-PJABQ63VNUA-M

Page : 3/3

PCB Layout Mounting Hole (Top View)



UNIT: mm / inch
Tolerances: ± 0.10 / 0.004

Note

Record of Revision		
Rev	Remark	Date
V0	Datasheet Set UP	2019/02/28
V1	Change PN from JABC63VNUA-G to PJABC63VNUA-M	2019/03/29
V2	Change PN from PJABC63VNUA-M to PJABQ63VNUA-M	2020/05/07