



# 2X4PORT 10G BASE-T RJ45 CONNECTOR MODULE WITH MAGNETICS

**P/N: XMH-JDM1037SP-M**

Page : 1/5

## Feature

- Pin not electrically connected maybe omitted see electrical drawing for omitted pins.
- RJ45 cavities conform to FCC rules and regulation part 68.
- The part is recommended for wave soldering process peak soldering temperature is 260 °C max, 10 SECS max.

RJ45 Material Specification						
Part Number	Contact		Material			Shield
	Material	Plating Area	Housing	Insert	Specification	Material
XMH-JDM1037S P-M	Phosphor Bronze	Gold plating 30μ inches	LCP Black	PA46 BLACK	UL 94 V-0	Brass

\* Operating temperature range: -40°C to +85°C. Storage temperature range: -40°C to +85°C.

## ELECTRICAL SPECIFICATIONS @ 25°C

PARAMETER	SPECIFICATIONS		
URNS RATIO	1.00 ± 2%		
POLARITY	PER SCHEMATIC		
INSERTION LOSS (DATA CHANNELS)	100 KHz	1-400 MHz	
	-3.0 dB MAX	-2.0 dB MAX (-1.4dB TYP)	
RETURN LOSS (Z OUT=100 OHM ±1%)	1-100 MHz	100 MHz- 500 MHz	
	-22 dB MIN	-22+20.75LOG(f/100)	
INDUCTANCE (OCL)	180uH MIN @ 100 KHz,100mV		
CROSSTALK,ADJACENT CHANNELS	1-100 MHz	100-500 MHz	
	-28dB MIN	-19dB MIN	
COMMON MODE REJECTION RATIO	1-40 MHz	40-100 MHz	100-500 MHz
	-30 dB MIN	-28 dB MIN	-26 dB MIN
COMMON TO DIFFERENTIAL MODE REJECTION (CDMR)	1-250 MHz	250-500 MHz	
	-30 dB MIN	-22 dB MIN	
INPUT--OUTPUT ISOLATION	2250 VDC MIN @ 60 SECONDS		

NOTE: f IS FERQUENCY IN MHZ.

100% OF PRODUCTION TESTED TO COMPLY WITH IEEE 802.3 ISOLATION REQUIREMENTS.

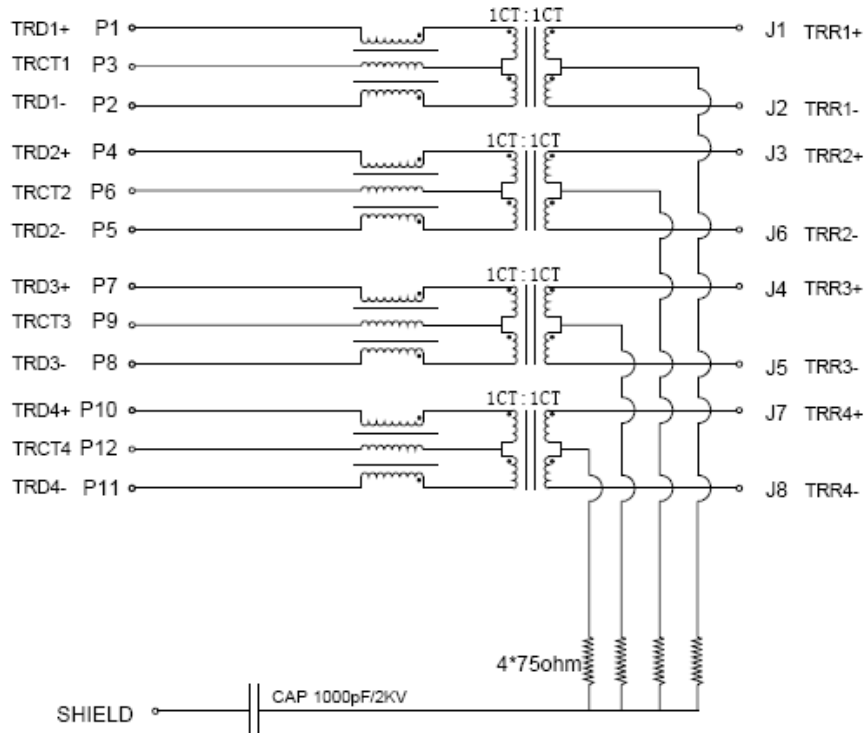


# 2X4PORT 10G BASE-T RJ45 CONNECTOR MODULE WITH MAGNETICS

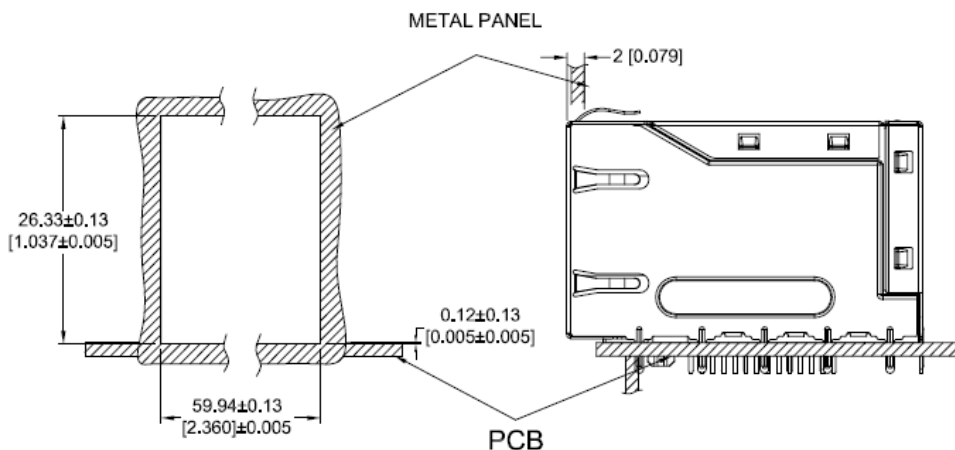
P/N: XMH-JDM1037SP-M

Page : 2/5

## Schematic



## Suggested Panel Opening



UNIT: mm / inch  
Tolerances: ±0.10 / 0.004

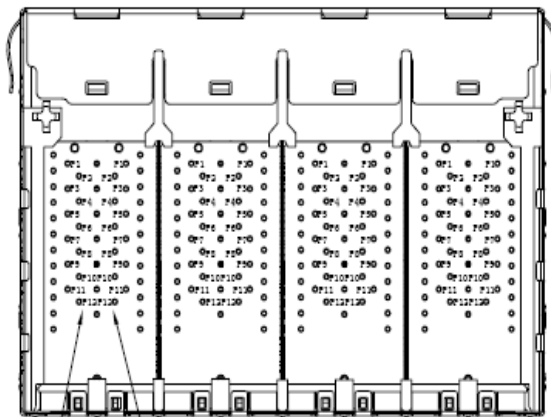
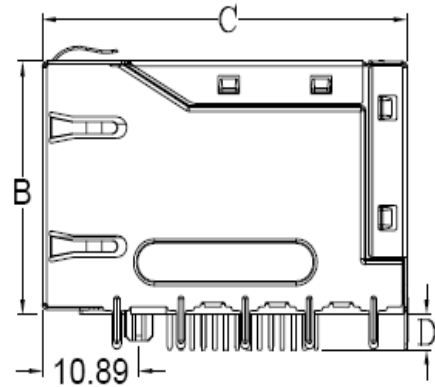
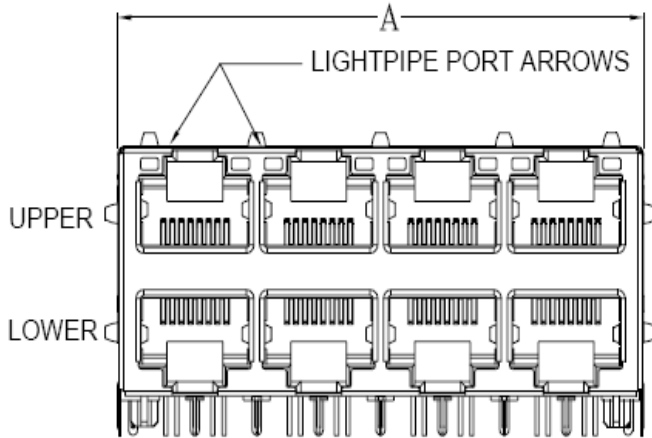


# 2X4PORT 10G BASE-T RJ45 CONNECTOR MODULE WITH MAGNETICS

P/N: XMH-JDM1037SP-M

Page : 3/5

## Mechanical



FINAL OUTLINE

For Lower Row  
RJ45 Ports

For Upper Row  
RJ45 Ports

UNIT : mm / inch

A = 59.31 / 2.335

B = 25.58 / 1.007

C = 41.16 / 1.620

D = 3.56 / 0.140

Unless otherwise specified, all dimensions tolerances is  $\pm 0.254 / 0.010$ .

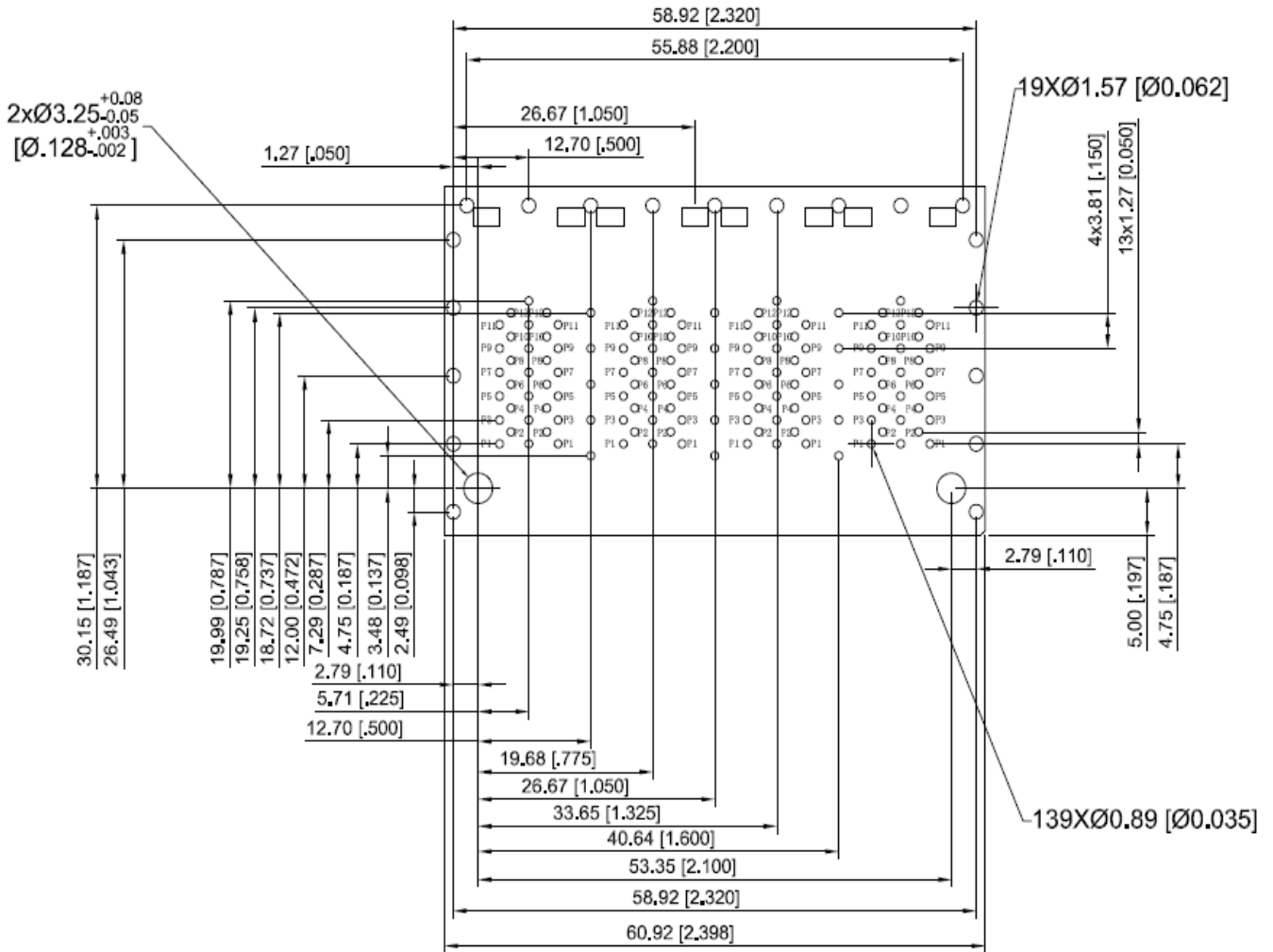


# 2X4PORT 10G BASE-T RJ45 CONNECTOR MODULE WITH MAGNETICS

P/N: XMH-JDM1037SP-M

Page : 4/5

## PCB Layout Mounting Hole (Top View)



Units: mm/inch.  
Tolerances: 0.1/0.004



# 2X4PORT 10G BASE-T RJ45 CONNECTOR MODULE WITH MAGNETICS

**P/N: XMH-JDM1037SP-M**

Page : 5/5

## Note

---

Record of Revision		
Rev	Remark	Date
V0	Datasheet Set UP	2023/4/3