



# 2X2 PORT RJ45 CONNECTOR MODULE WITH 10G BASE-TX MAGNETICSS

**P/N: XMH-JBB4054SN-M**

Page : 1/4

**Feature**

- Pin not electrically connected maybe omitted see electrical drawing for omitted pins.
- RJ45 cavities conform to FCC rules and regulation part 68.
- The part is recommended for wave soldering process peak soldering temperature is 260 °C max, 10 secs max.
- Inductance(OCL): 120uH min @100 KHz,100mv.
- Input-Output Isolation: 2250VDC min @60 secs.

Electrical Specifications @ 25°C							
Part Number	Turns Ratio (±2%)		INSERTION LOSS (DATA CHANNELS)		COMMON MODE REJECTION RATIO		
	TX	RX	100KHz	1-400MHz	1-40 MHz	40-100 MHz	100-500 MHz
XMH-JBB4054SN-M	1CT:1CT	1CT:1CT	-3.0dB MAX	-2.0dB MAX (-1.4dB TYP)	-30dB MIN	-28dB MIN	-26dB MIN

Electrical Specifications @ 25°C						
Part Number	RETURN LOSS (Z OUT=100 OHM ±1%)		CROSSTALK,ADJACENT CHANNELS		CM TO DM REJ (dB Min)	
	1-100MHz	100-500MHz	1-100 MHz	100-500 MHz	1-100 MHz	100-500 MHz
XMH-JBB4054SN-M	-22 dB MIN	-22+20.75LOG(F/100)dB MIN	-28dB MIN	-19dB MIN	-30dB MIN	-20dB MIN

RJ45 Material Specification					
Part Number	Contact		Housing		Shield
	Material	Plating Area	Material	Specification	Material
XM-JBB4054SN-M	Phosphor Bronze	Gold plating 50µ inches	Thermoplastic Black	UL 94 V-0	Brass

NOTE: f IS FERQUENCY IN MHz.

100% OF PRODUCTION TESTED TO COMPLY WITH IEEE 802.3 ISOLATION REQUIREMENTS.

\*Operating temperature range: -40°C to +85°C. Storage temperature range: -40°C to +85°C.

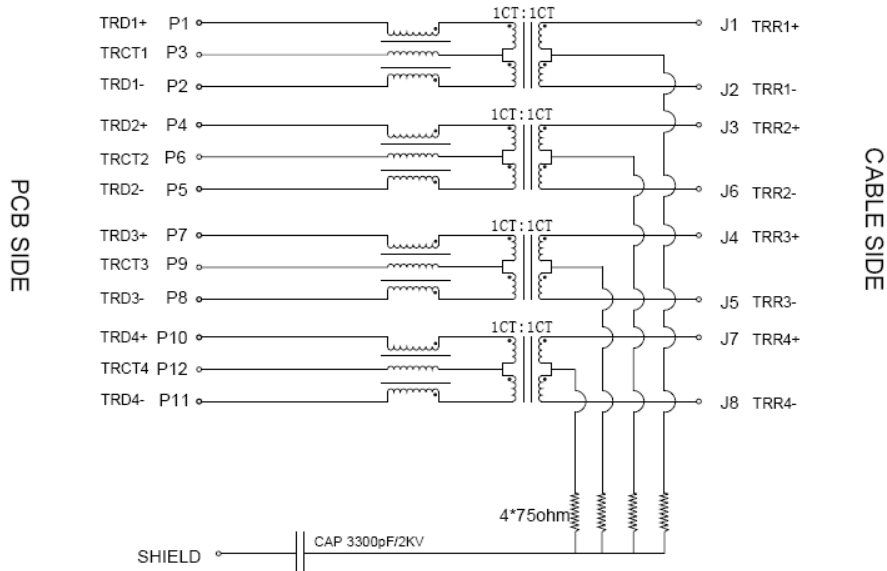


# 2X2 PORT RJ45 CONNECTOR MODULE WITH 10G BASE-TX MAGNETICSS

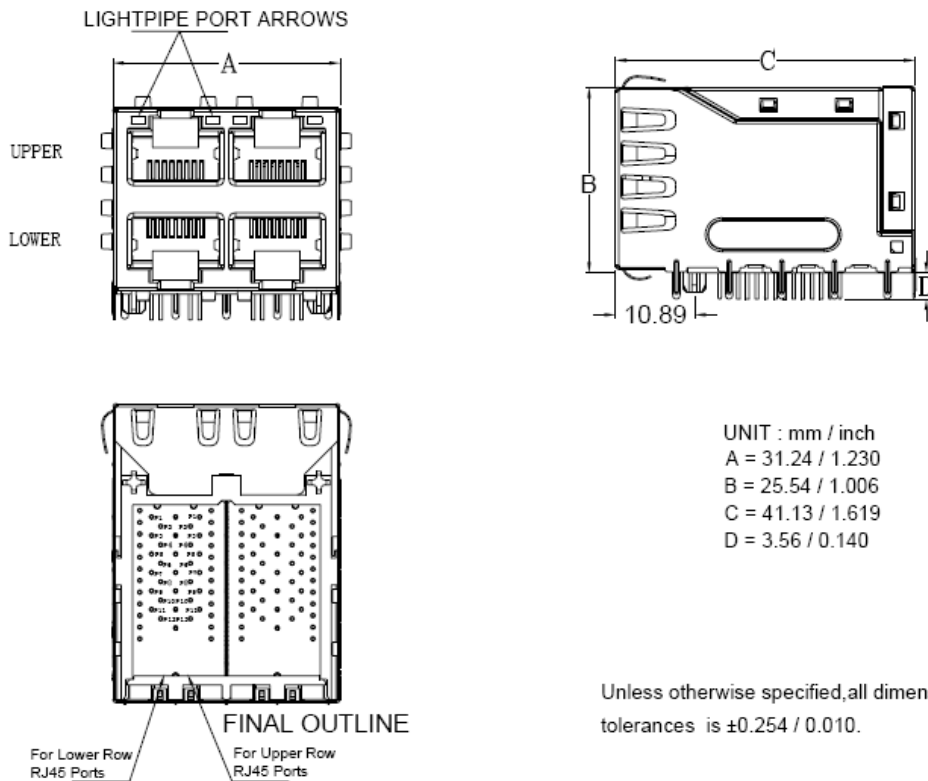
P/N: XMH-JBB4054SN-M

Page : 2/4

## Schematic



## Mechanical



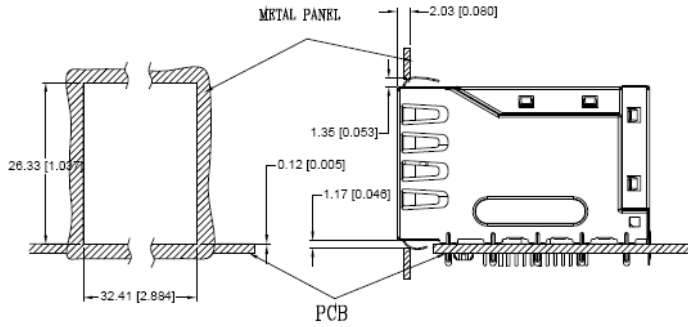


# 2X2 PORT RJ45 CONNECTOR MODULE WITH 10G BASE-TX MAGNETICSS

P/N: XMH-JBB4054SN-M

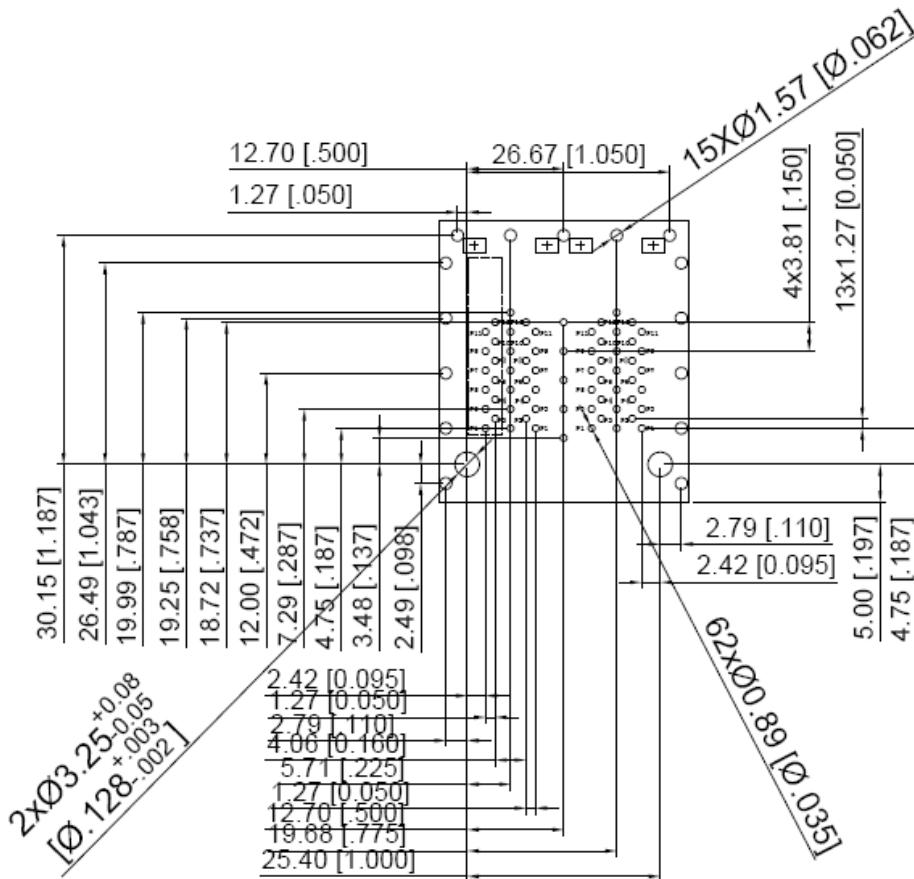
Page : 3/4

## Suggested Panel Opening



UNIT: mm / inch  
Tolerances: ±0.10 / 0.004

## PCB Layout Mounting Hole (Top View)



Plug-in side

UNIT: mm / inch  
Tolerances: ±0.10 / 0.004



**2X2 PORT RJ45 CONNECTOR MODULE WITH 10G BASE-TX  
MAGNETICSS**

**P/N: XMH-JBB4054SN-M**

Page : 4/4

**Note**

---

Record of Revision		
Rev	Remark	Date
V0	Datasheet Set UP	2022/11/08