



10G BASE-T 1X4PORT RJ45 CONNECTOR MODULE WITH MAGNETICS AND LEDS

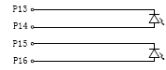
P/N: XMH-J4BY25VRHD-M

Page : 1/4

Feature

- Pin not electrically connected maybe omitted see electrical drawing for omitted pins.
- RJ45 cavities conform to FCC rules and regulation part 68.
- The part is recommended for wave soldering process peak soldering temperature is 260 °C max, 10 SECS max.
- OCL @ 100 KHz/100m Vrms (25°C) 160uH MIN@100KHz/100m vrms.
- Hipot (Isolation Volatage): 2250 VDC
100% of production tested to comply with IEEE802.3 Isolation requirements.

Part Number	15,16 (Left Led)	13,14 (Right Led)
2	Green	Yellow



Electrical Specifications @ 25°C									
Part Number	Turns Ratio (±3%)				Insertion Loss (dB Max)				
	TP1	TP2	TP3	TP4	1-20MHz	50MHz	200MHz	400MHz	500MHz
XMH-J4BY25VR HD-M	1CT:1CT	1CT:1CT	1CT:1CT	1CT:1CT	-0.8	-1.0	-1.2	-2.0	-3.0

Electrical Specifications @ 25°C										
Part Number	Return Loss @ 100 OHMS (dB Min)								CM TO CM REJ (dB Min)	CM TO DM REJ (dB Min)
	1MHz	2MHz	10MHz	100MHz	200MHz	300MHz	400MHz	500MHz	1-500MHz	1-500MHz
XMH-J4BY25VR HD-M	-18	-20	-20	-20	-16	-13	-10	-8	-25	-25

RJ45 Material Specification					
Part Number	Contact		Housing		Shield
	Material	Plating Area	Material	Specification	Material
XMH-J4BY25VR HD-M	Phosphor Bronze	Gold 50 microinchs min on mating surface	Thermoplastic Black	UL 94 V-0	Brass

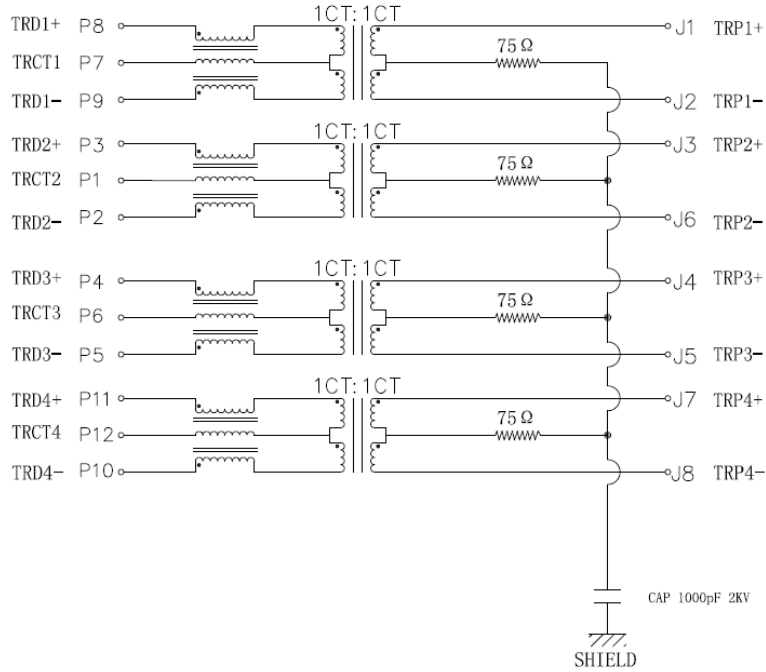
* Operating temperature range: -40°C to +85°C. Storage temperature range: -40°C to +85°C.

10G BASE-T 1X4PORT RJ45 CONNECTOR MODULE WITH MAGNETICS AND LEDs

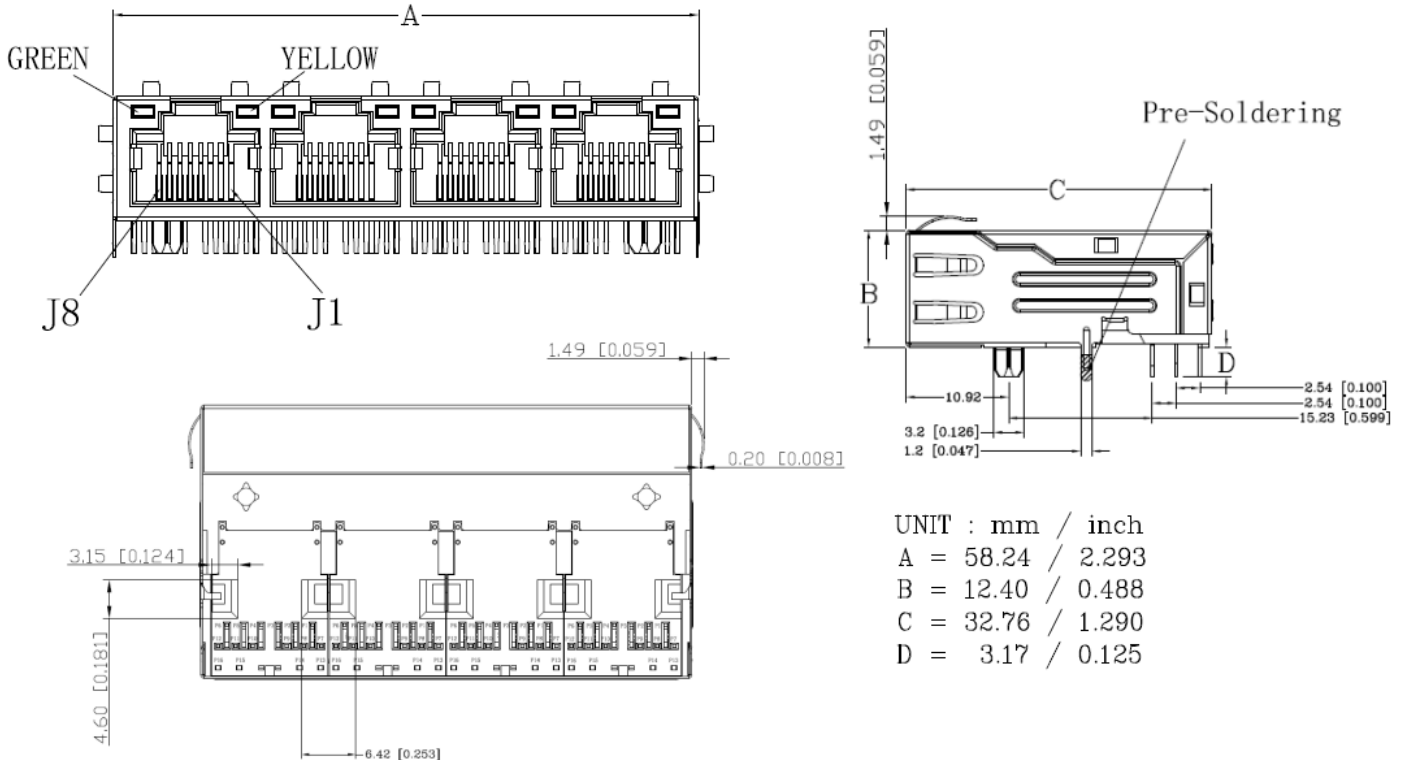
P/N: XMH-J4BY25VRHD-M

Page : 2/4

Schematic



Mechanical



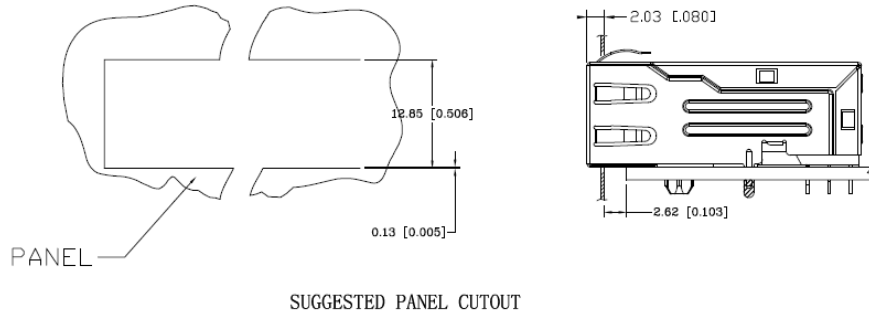


10G BASE-T 1X4PORT RJ45 CONNECTOR MODULE WITH MAGNETICS AND LEDS

P/N: XMH-J4BY25VRHD-M

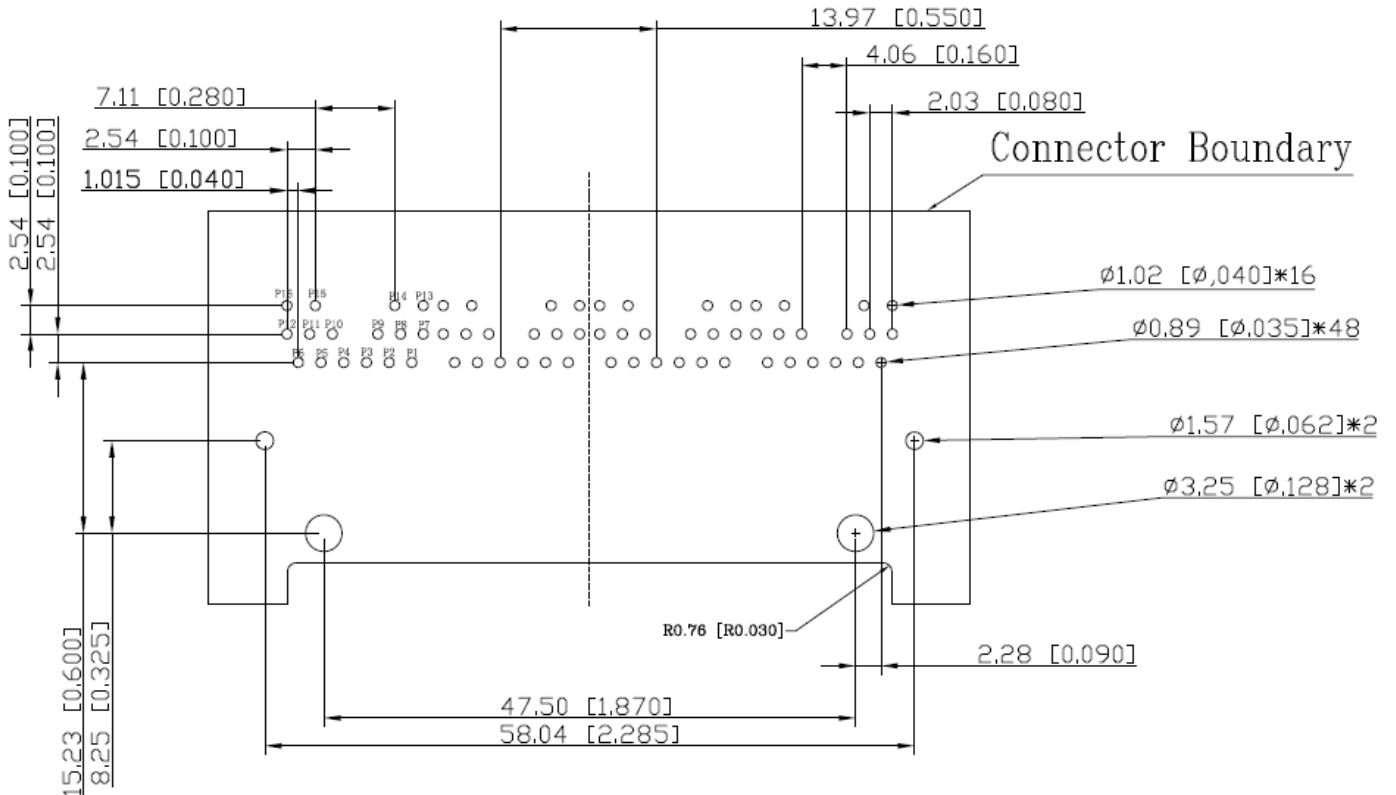
Page : 3/4

Suggested Panel Opening



Units: mm/inch.
Tolerances: 0.1/0.004

PCB Layout Mounting Hole (Top View)



Units: mm/inch.
Tolerances: 0.1/0.004



**10G BASE-T 1X4PORT RJ45 CONNECTOR MODULE WITH
MAGNETICS AND LEDS
P/N: XMH-J4BY25VRHD-M**

Page : 4/4

Note

Record of Revision		
Rev	Remark	Date
V0	Datasheet Set UP	2022/05/07