



10GBASE-T SINGLE RJ45 CONNECTOR MODULE

P/N: XMH-J1AX036RH-M

Page : 1/4

Feature

- RJ45 cavities conform to FCC rules and regulation part 68.
- The part is recommended for wave soldering process peak soldering temperature is 260 °C max, 10 SECS max.
- Pin not electrically connected maybe omitted see electrical drawing for omitted pins.
- All materials are RoHS and UL94-V0 compliant.
- Recommended panel

RJ45 Durability Testing Rating & Material Specification				
Part Number	Durability	Mating Force	Shield	
			Material	Finish
XMH-J1AX036RH-M	750 Insertions	5 lbs./2.268 kgs.	Brass	10-20m inches Nickel

RJ45 Material Specification				
Part Number	Contact		Housing	
	Material	Plating Area	Material	Specification
XMH-J1AX036RH-M	Phosphor Bronze	Gold plating 30µ inches	LCP Black	UL 94 V-0

* Operating temperature range:-40°C to +85°C. Storage temperature range: -40°C to +85°C.

ELECTRICAL SPECIFICATIONS @ 25°C

URNS RATIO

TP1 1CT : 1CT ±3%
 TP2 1CT : 1CT ±3%
 TP3 1CT : 1CT ±3%
 TP4 1CT : 1CT ±3%

OCL @ 100kHz/100mVRMS (25°C) 160µH MIN@100KHZ/100mVrms.

INS. LOSS (MAX)

1MHz TO 20MHz -0.8 dB
 50MHz -1.0 dB
 200MHz -1.2 dB
 400MHz -2.0 dB
 500MHz -3.0 dB

RET. LOSS (MIN) @ 100 OHMS

1MHz -18 dB
 2MHz -20 dB
 10MHz -20 dB
 100MHz -20 dB
 200MHz -16 dB
 300MHz -13 dB
 400MHz -10 dB
 500MHz -8 dB

CM TO CM REJ

1MHz - 500MHz -25 dB MIN

CM TO DM REJ

1MHz - 500MHz -25 dB MIN

HIPOT (Isolation Voltage): 2250 VDC

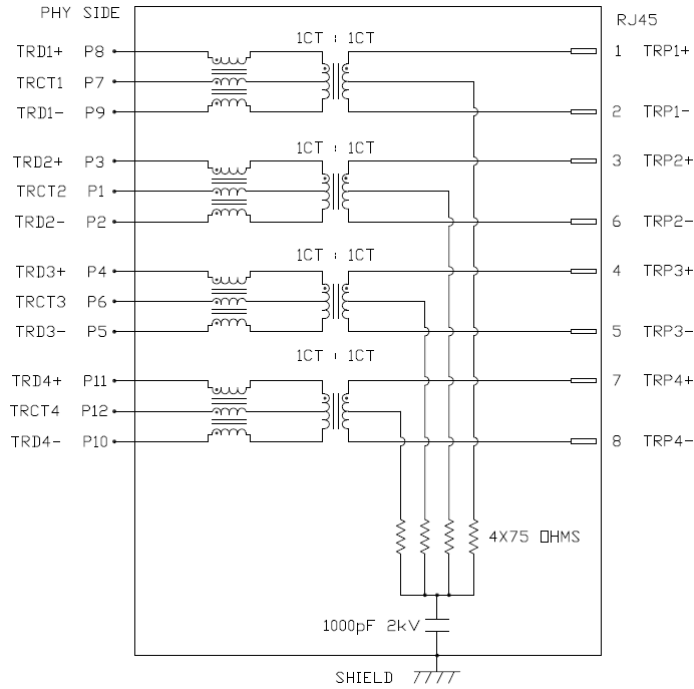
100% OF PRODUCTION TESTED TO COMPLY WITH IEEE 802.3 ISOLATION REQUIREMENTS.

10GBASE-T SINGLE RJ45 CONNECTOR MODULE

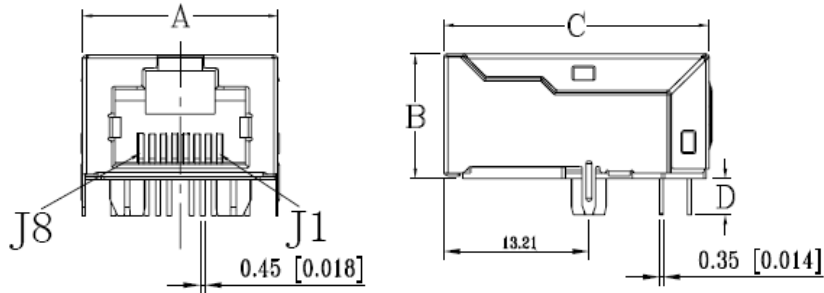
P/N: XMH-J1AX036RH-M

Page : 2/4

Schematic



Mechanical



UNIT : mm / inch

A = 17.78 / 0.700

B = 11.30 / 0.445

C = 24.13 / 0.950

D = 3.30 / 0.130

Units: mm/inch

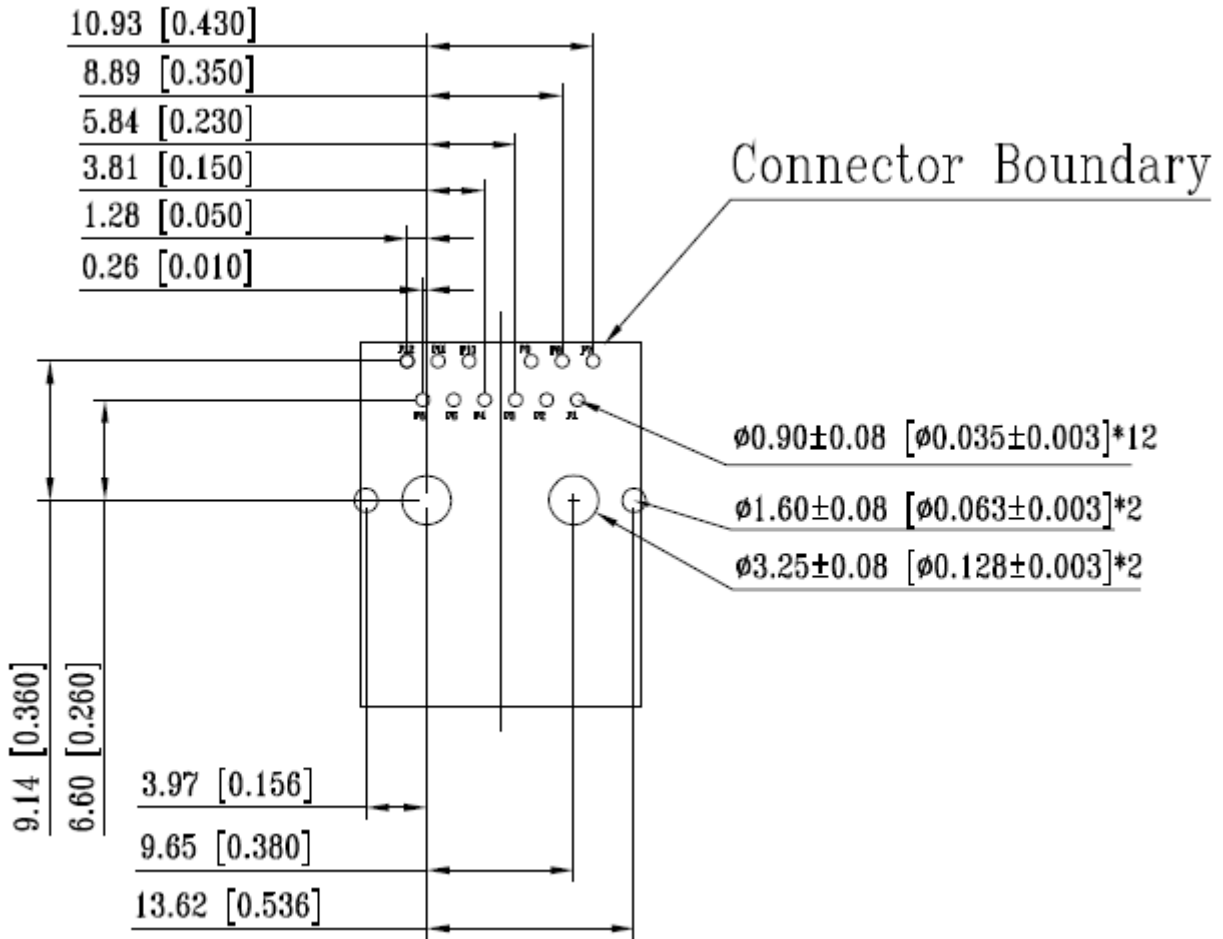
Tolerances: 0.254/0.010

10GBASE-T SINGLE RJ45 CONNECTOR MODULE

P/N: XMH-J1AX036RH-M

Page : 3/4

PCB Layout Mounting Hole (Top View)



Units: mm/inch
Tolerances: 0.10/0.004

Note

Record of Revision		
Rev	Remark	Date
V0	Datesheet set up	2019/10/10
V1	Change the shield	2023/04/07



10GBASE-T SINGLE RJ45 CONNECTOR MODULE

P/N: XMH-J1AX036RH-M

Page : 4/4