



SINGLE RJ45 CONNECTOR MODULE WITH 10G BASE-TX MAGNETICS AND LEDS P/N: XMG-J1B4S5ZRHA

Page : 1/3

Feature

- LAN interface suitable for 10G Base-TX applications.
- Reduced EMI radiation to improve EMI performance.
- RoHS compliant.
- Recommended panel.

Part Number	16,17(Left Led)	13,14.15(Right Led)
S	Green	Green /Yellow

Electrical Specifications @ 25°C								
Part Number	Turns Ratio (±5%)	OCL (µH Min) @ 100KHz/0.1V with 8mA DC Bias	Insertion Loss (dB Max)	Return Loss 100ohms±5ohms (dB Typ)				
				0.3-100MHz	30MHz	40MHz	50MHz	60MHz
XMG-J1B4S5ZRH A	1CT: 1CT	350	-1.15	-16	-14	-13.5	-13	-10

Electrical Specifications @ 25°C							
Part Number	Crosstalk (dB Typ)			Common Mode Rejection (dB Typ)			HI-POT (Vrms)
	0.3-30MHz	30-60MHz	60-100MHz	1-30MHz	30-60MHz	60-125MHz	@60MHz/1Min
XMG-J1B4S5ZRH A	-40	-35	-30	-30	-25	-20	1500

RJ45 Durability Testing Rating & Material Specification				
Part Number	Durability	Mating Force	Shield	
			Material	Finish
XMG-J1B4S5ZRH A	750 Insertions	5 lbs./2.268 kgs.	Brass	10-20m inches Nickel

RJ45 Material Specification				
Part Number	Contact		Housing	
	Material	Plating Area	Material	Specification
XMG-J1B4S5ZRH A	Phosphor Brass	10-20m inches Nickel over selective gold plating 50µ inches	Thermoplastic	UL 94 V-0

* Operating temperature range: 0°C to +70°C. Storage temperature range: -40°C to +85°C.

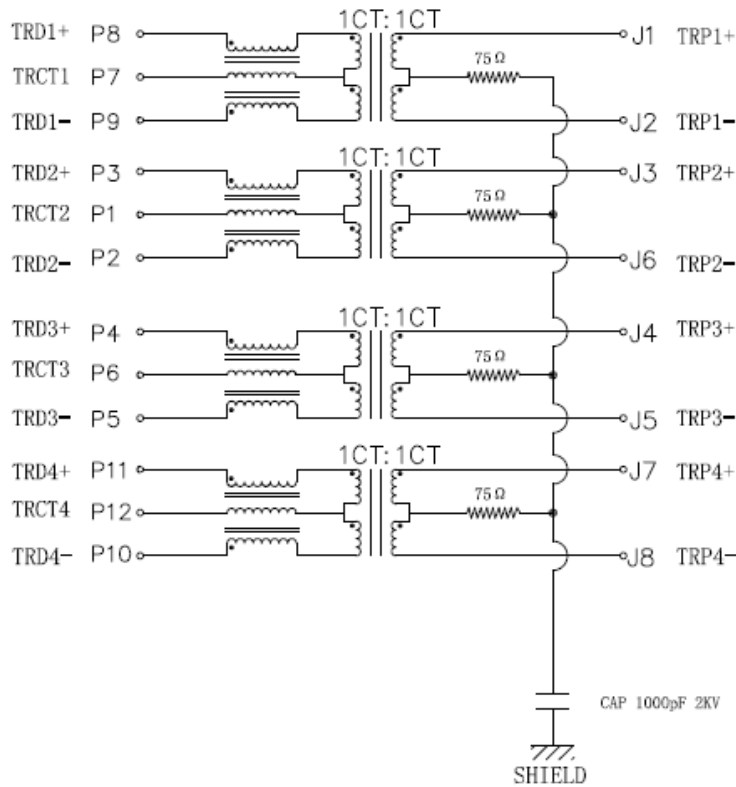


SINGLE RJ45 CONNECTOR MODULE WITH 10G BASE-TX MAGNETICS AND LEDs

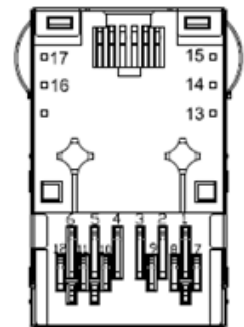
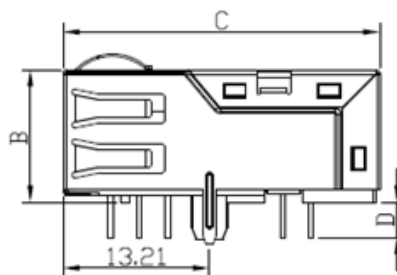
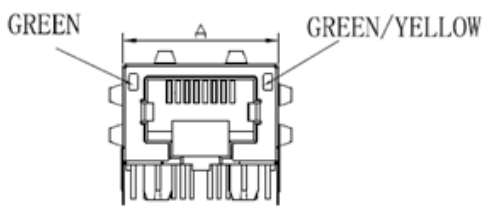
P/N: XMG-J1B4S5ZRHA

Page : 2/3

Schematic



Mechanical



UNIT : mm / inch

A = 17.53 / 0.690

B = 11.92 / 0.445

C = 28.57 / 1.125

D = 3.18 / 0.125

Units: mm.

Tolerance: ±0.25 unless specified otherwise.

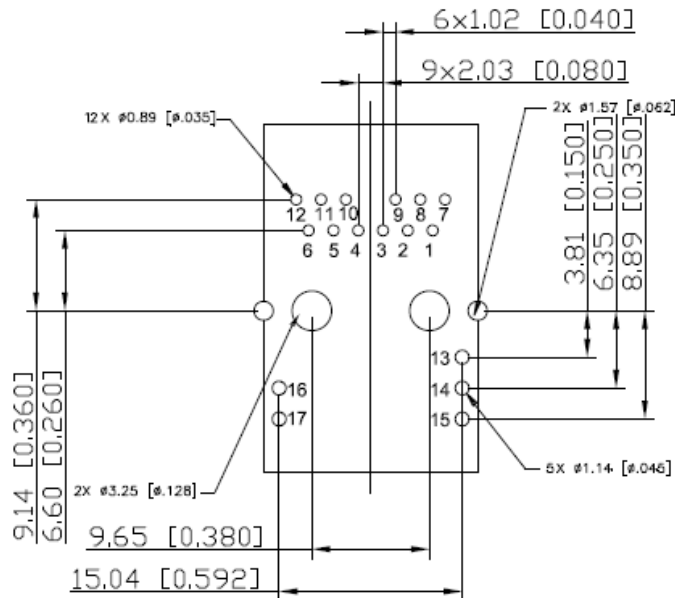


SINGLE RJ45 CONNECTOR MODULE WITH 10G BASE-TX MAGNETICS AND LEDs

P/N: XMG-J1B4S5ZRHA

Page : 3/3

PCB Layout Mounting Hole (Top View)



ELECTRICAL SPECIFICATIONS @ 25°C

PARAMETER	SPECIFICATIONS		
OPERATING TEMP	0°C TO +70°C		
URNS RATIO	1.00 ± 2%		
POLARITY	PER SCHEMATIC		
INSERTION LOSS (DATA CHANNELS)	100 KHz	1-400 MHz	
	-3.0 dB MAX	-2.0 dB MAX (-1.4 dB TYP)	
INSERTION LOSS (CM SENSE CHANNELS)	3-500 MHz		
	-5.0 dB MAX (-4 dB TYP)		
RETURN LOSS (Z OUT = 100 OHM ± 1%)	1-100 MHz	100 MHz-500 MHz	
	-22 dB MIN	-22 + 18.27*LOG (f/100)	
INDUCTANCE (OCL)	180 uH MIN @ 100 kHz, 100 mV		
CROSSTALK, ADJACENT CHANNELS	1-100 MHz	100-500 MHz	
	-28 dB MIN	-19 dB MIN	
COMMON MODE REJECTION RATIO	1-100 MHz	100-300 MHz	300-500 MHz
	-35 dB MIN	-30 dB MIN	-25 dB MIN
COMMON TO DIFFERENTIAL MODE REJECTION (CDMR)	1-250 MHz	250-500 MHz	
	-30 dB MIN	-22 dB MIN	
INPUT - OUTPUT ISOLATION	2250 VDC MIN @ 60 SECONDS		

NOTE: f IS FREQUENCY IN MHz.