



10G BASE-T SINGLE RJ45 CONNECTOR MODULE

P/N: XMG-J1AR036RS-M

Page : 1/3

Feature

- Pin not electrically connected maybe omitted see electrical drawing for omitted pins.
- RJ45 cavities conform to FCC rules and regulation part 68.
- The part is recommended for wave soldering process peak soldering temperature is 260 °C max, 10 SECS max.

RJ45 Material Specification

Part Number	Contact		Housing		Shield
	Material	Plating Area	Material	Specification	Material
XMG-J1AR036R S-M	Phosphor Bronze	10-20m inches Nickel over selective gold plating 30μ inches	LCP Black	UL 94 V-0	Brass

* Operating temperature range: -40°C to +85°C. Storage temperature range: -40°C to +85°C.

ELECTRCAL SPECIFICATIONS @ 25°C

PARAMETER	SPECIFICATIONS		
URNS TATIO	1.00 ± 2%		
POLARITY	PER SCHEMATIC		
INSERTION LOSS (DATA CHANNELS)	100 MHz	1-400 MHz	
	-3.0 dB MAX	-2.0 dB MAX (-1.4dB TYP)	
RETURN LOSS (Z OUT=100 OHM ±1%)	1-40 MHz	40 MHz-400 MHz	400 MHz- 500 MHz
	-16 dB MIN	-16+10LOG(F/40)dB	-16+30LOG(F/400)dB
INDUCTANCE (OCL)	160 uH MIN @ 100 KHz,100mV		
COMMON MODE REJECTION RATIO	1-40 MHz	40-100 MHz	100-500 MHz
	-30 dB MIN	-28 dB MIN	-26 dB MIN
COMMON TO DIFFERENTIAL MODE REJECTION (CDMR)	1-250 MHz	250-500 MHz	
	-30 dB MIN	-22 dB MIN	
HIPOT-OUTPUT ISOLATION	2250 VDC MIN @ 60 SECONDS		

NOTE: f IS FERQUENCY IN MHZ.

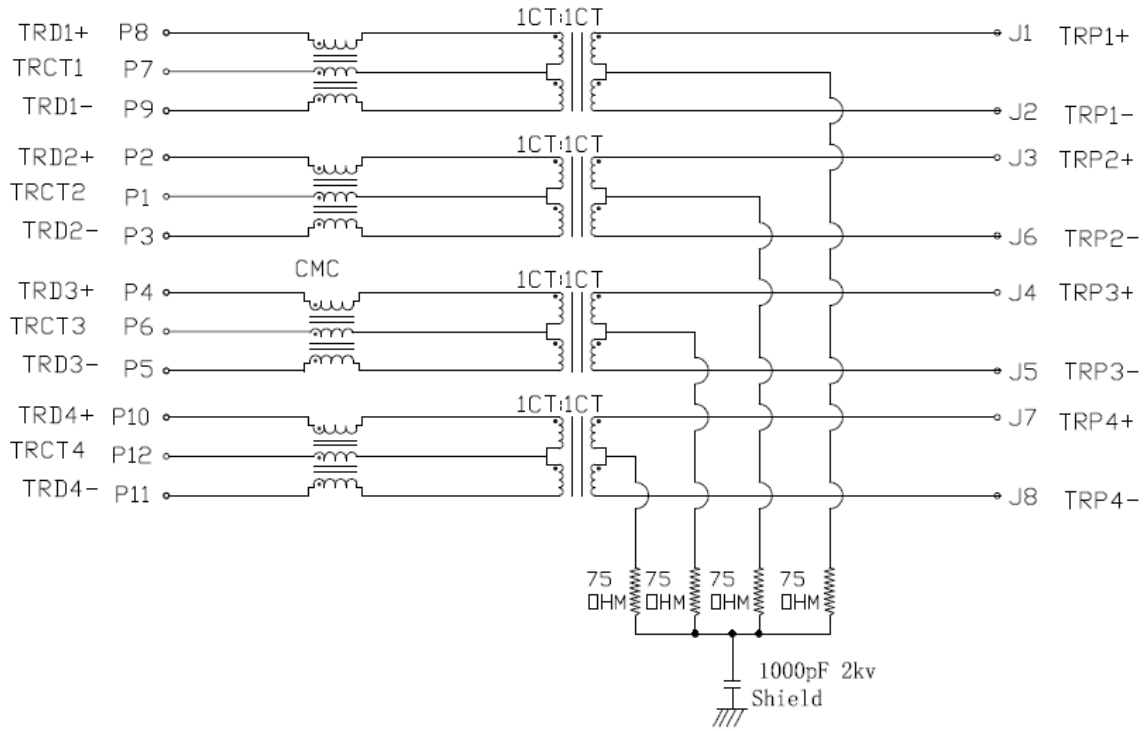
100% OF PRODUCTION TESTED TO COMPLY WITH IEEE 802.3 ISOLATION REQUIREMENTS.

10G BASE-T SINGLE RJ45 CONNECTOR MODULE

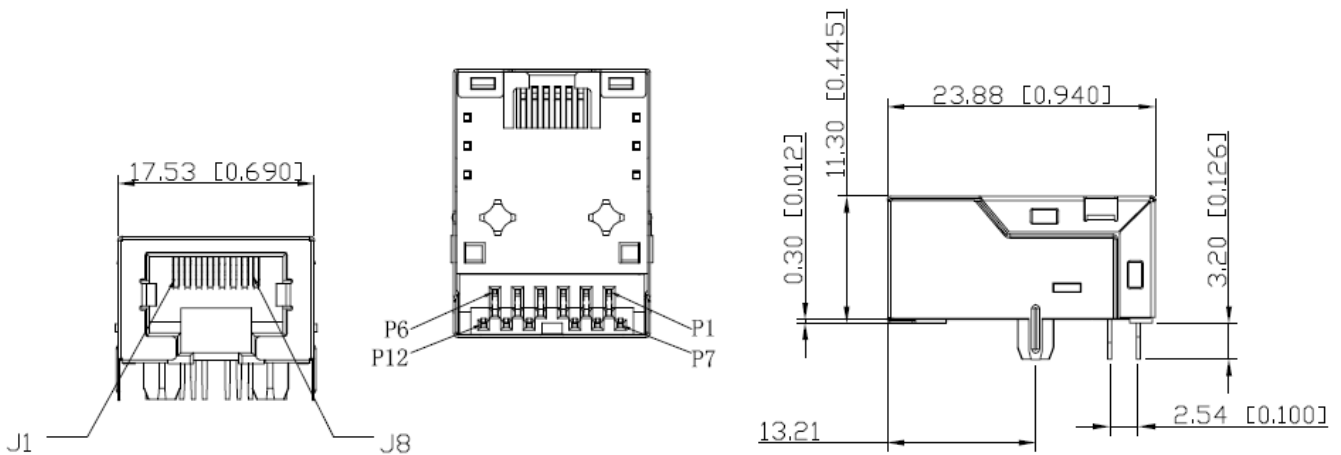
P/N: XMG-J1AR036RS-M

Page : 2/3

Schematic



Mechanical



Units: mm/inch.

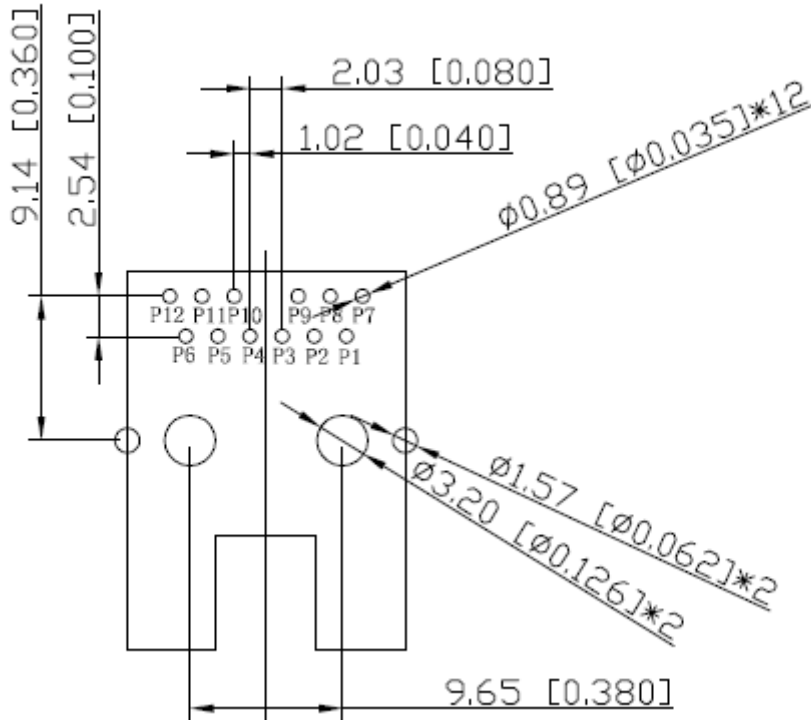
Tolerances: 0.254/0.010

10G BASE-T SINGLE RJ45 CONNECTOR MODULE

P/N: XMG-J1AR036RS-M

Page : 3/3

PCB Layout Mounting Hole (Top View)



Units: mm/inch.
Tolerances: 0.1/0.004

Note

Record of Revision		
Rev	Remark	Date
V0	Datasheet Set UP	2020/04/16
V1	Change PN from J1AR036RT-M to J1AR036RS-M	2020/06/23