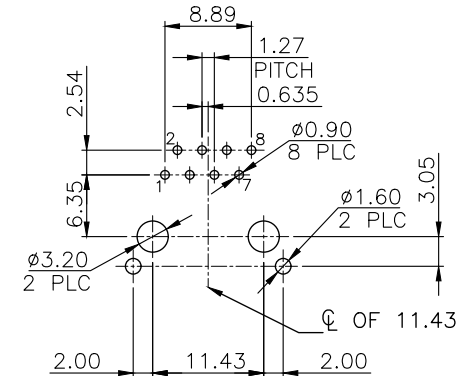
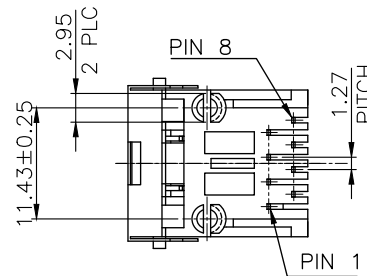
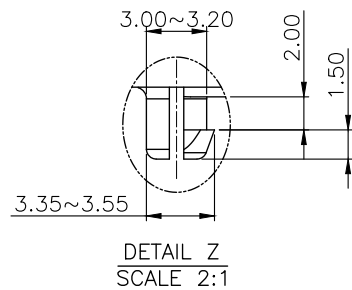
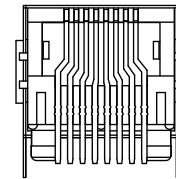
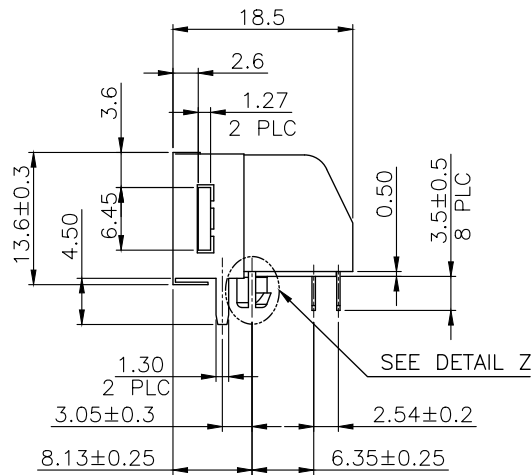
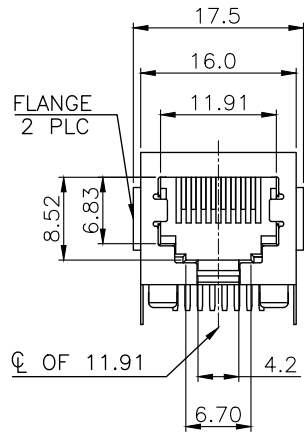


RoHS Compliance

NOTE:

CAVITY CONFIRMS TO FCC RULES AND REGULATIONS PART 68, SUBPART F.

- MATERIAL:
HOUSING: PBT, WITH GLASS FIBER,
UL 94V-0, STANDARD COLOR-BLACK.
CONTACTS: PHOSPHOR BRONZE.
SHELL: BRASS.
- FINISH:
CONTACTS: 0.152 μ m [6 μ "] GOLD PLATED ON CONTACT AREA,
GOLD FLASH PLATED ON SOLDER TAIL,
WITH ENTIRE CONTACT UNDERPLATED
1.27 μ m [50 μ "] MIN. NICKEL
SHELL: 0.508 μ m [20 μ "] MIN. NICKEL PLATED.



RECOMMENDED PCB LAYOUT
RECOMMENDED PCB THICKNESS: 1.6mm
TOLERANCE: ± 0.05 (TOP VIEW)

THIS DRAWING IS A CONTROLLED DOCUMENT.
DO NOT SCALE DRAWING.

DIMENSIONS: MM
TOLERANCES UNLESS OTHERWISE SPECIFIED:

THIRD ANGLE PROJECTION
MATERIAL: SEE NOTES
FINISH: SEE NOTES

DWN	T. Li	DATE	JAN-10-2012
CHK	D. Wang		
APVD	R. Tsai		



www.xmultiple.com

TITLE
RJ45, DIP, WITH SHELL,
LOW PROFILE, SIDE ENTRY PCB JACK

SIZE	DRAWING NO
A3	XRJK-S-01-8-8-0
WEIGHT	REV 12 SHEET 1
- GRAMS Ref.	

REVISIONS	DESCRIPTION	DATE	APVD