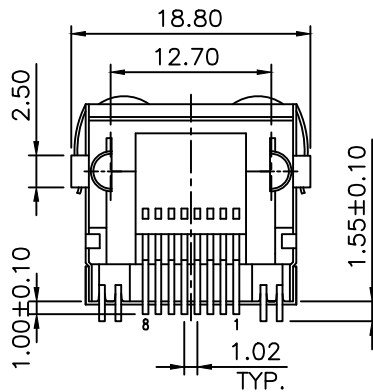
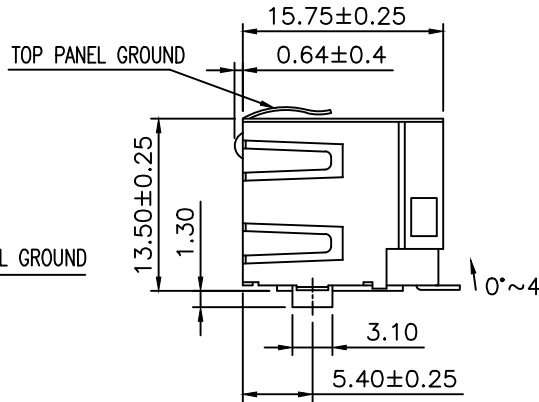
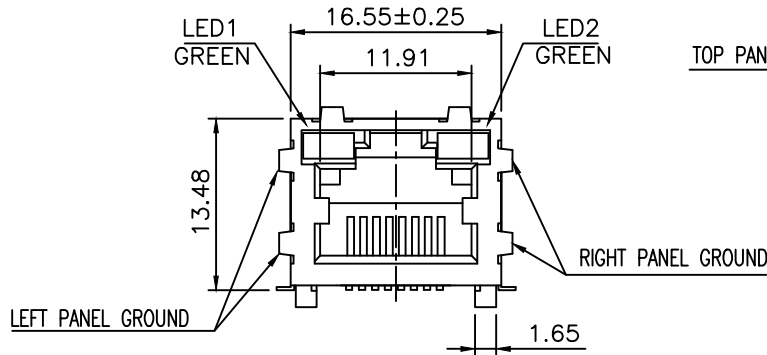
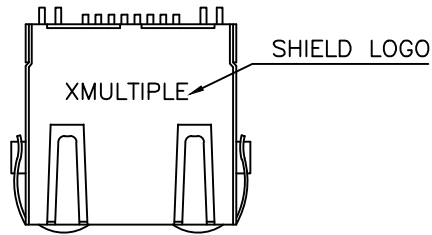


RoHS Compliance

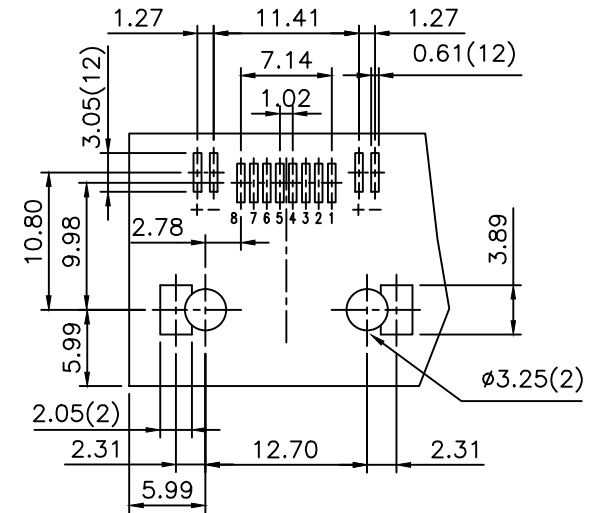


MATERIAL:

- HOUSING-PA9T GN2330
HEAT RESISTANT PLOYAMIDE RESIN
BLACK COLOR, UL94V-0
- INSERT HOUSING-DSM STANYL TE250F6 (NYLON-46)
HEAT DEFLCTION TEMP.290°
BLACK COLOR, UL94V-0.
- CONTACTS-0.35mm THICK PHOS-BRONZE PLATED
WITH HARD GOLD AND GOLD FLASH ON
SOLDER AREA.
- SHIELD-0.25mm THICK COPPER ALLOY,
PLATED WITH NICKEL.

CAVITY CONFIRMS TO FCC RULES AND REGULATIONS
PART 68,SUBPART F.

OPERATING TEMPERATURE -40°C TO 85°C
WAVE SOLDER CAPABLE TO 265°C.
REFLOW SOLDER CAPABLE TO 260°C.



PCB LAYOUT
Ref.

THIS DRAWING IS A CONTROLLED DOCUMENT.
DO NOT SCALE DRAWING.

DIMENSIONS: MM	TOLERANCES UNLESS OTHERWISE SPECIFIED:
X	± -
X.X	± 0.25
X.XX	± 0.20
X.XXX	± 0.10
ANGLES	± -

THIRD ANGLE PROJECTION

MATERIAL	FINISH
SEE NOTES	SEE NOTES
DWN <i>T. Li</i>	DATE OCT-01-2021
CHK <i>D. Wang</i>	OCT-01-2021
APVD <i>R. Tsai</i>	OCT-04-2021



www.xmultiple.com

TITLE
MODULAR JACK, RJ45, WITH LED'S
SHIELDED, SMT TYPE, SIDE ENTRY

REVISIONS	DESCRIPTION	DATE	APVD
△ -			

SIZE A3	DRAWING NO XMS-9756-8814-S3L3-B-LFG	WEIGHT - GRAMS Ref.	REV 1	SHEET 1
------------	--	------------------------	----------	------------