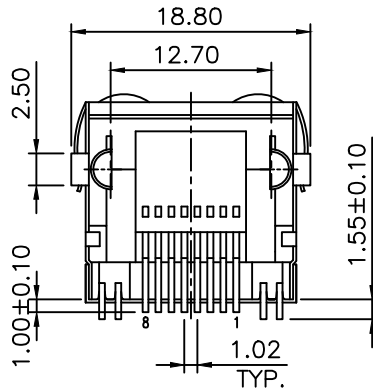
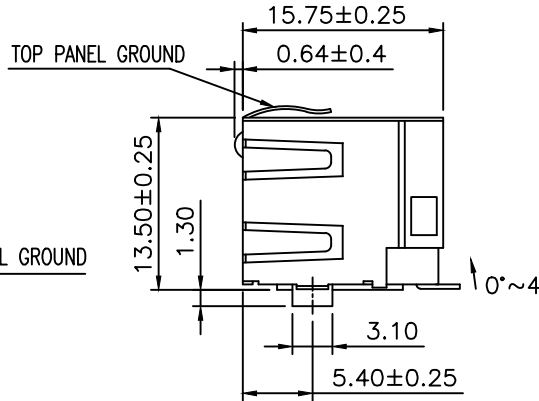
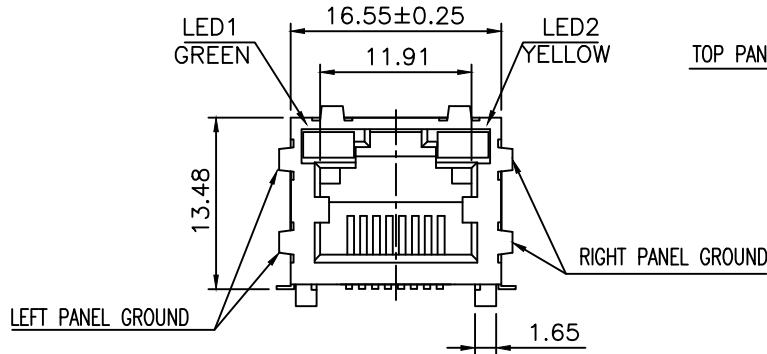
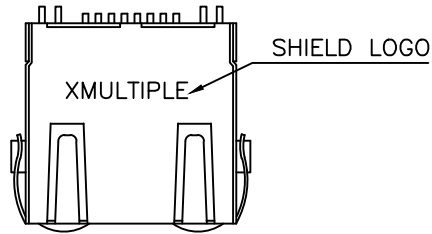


RoHS Compliance

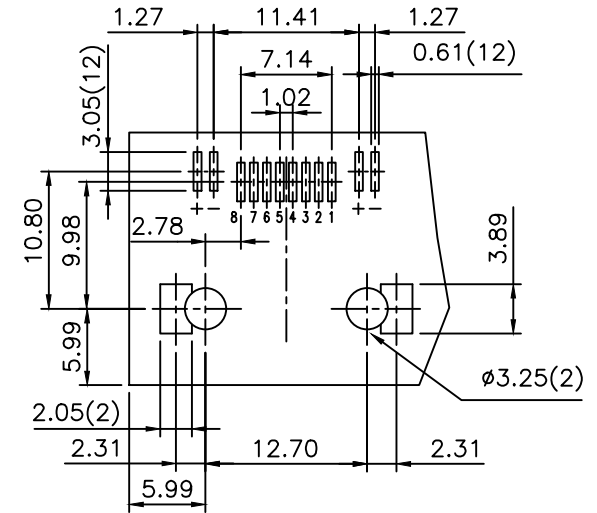


MATERIAL:

- HOUSING-PA9T GN2330
HEAT RESISTANT PLOYAMIDE RESIN
BLACK COLOR, UL94V-0
- INSERT HOUSING-DSM STANYL TE250F6 (NYLON-46)
HEAT DEFLCTION TEMP.290°
BLACK COLOR, UL94V-0.
- CONTACTS-0.35mm THICK PHOS-BRONZE PLATED
WITH HARD GOLD AND GOLD FLASH ON
SOLDER AREA.
- SHIELD-0.25mm THICK COPPER ALLOY,
PLATED WITH NICKEL.

CAVITY CONFIRMS TO FCC RULES AND REGULATIONS
PART 68,SUBPART F.

OPERATING TEMPERATURE -40°C TO 85°C
WAVE SOLDER CAPABLE TO 265°C.
REFLOW SOLDER CAPABLE TO 260°C.



PCB LAYOUT
Ref.

THIS DRAWING IS A CONTROLLED DOCUMENT. DO NOT SCALE DRAWING.			
DIMENSIONS: MM		TOLERANCES UNLESS OTHERWISE SPECIFIED:	
 THIRD ANGLE PROJECTION		X	± -
		X.X	± 0.25
MATERIAL		FINISH	
SEE NOTES		SEE NOTES	
DWN	T. LI	DATE	OCT-01-2021
CHK	D. Wang		OCT-01-2021
APVD	R. Tsai		OCT-04-2021



www.xmultiple.com

TITLE
MODULAR JACK, RJ45, WITH LED'S
SHIELDED, SMT TYPE, SIDE ENTRY

REVISIONS	DESCRIPTION	DATE	APVD
△ -			
LTR			

SIZE	DRAWING NO	WEIGHT	REV	SHEET
A3	XMS-9756-8814-S3L1-B-LFG	- GRAMS Ref.	1	1