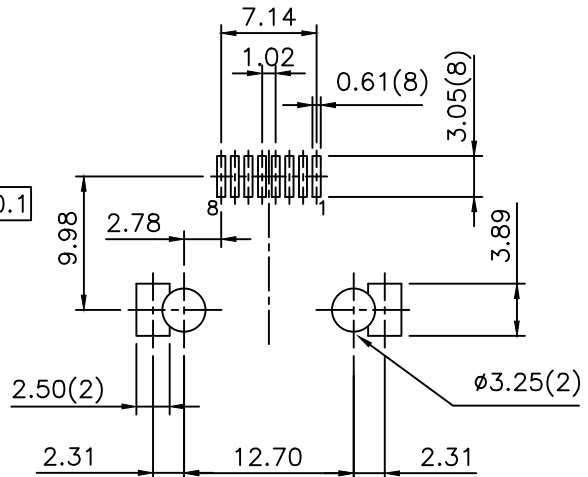
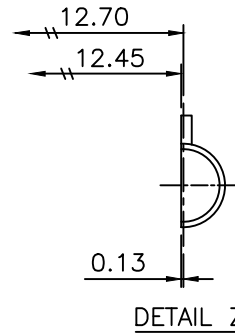
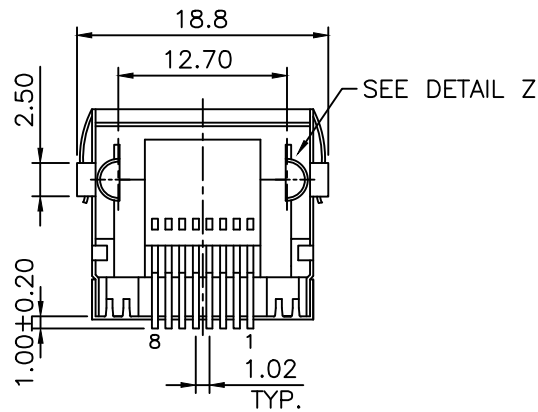
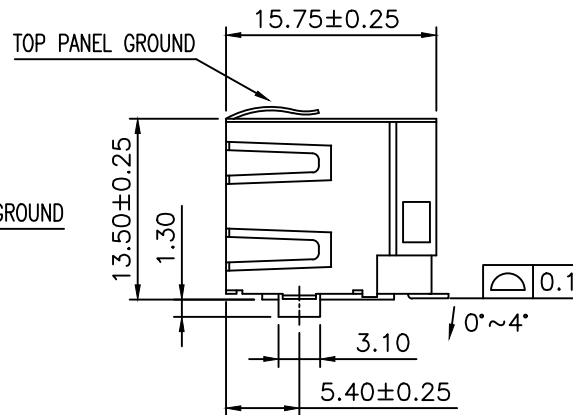
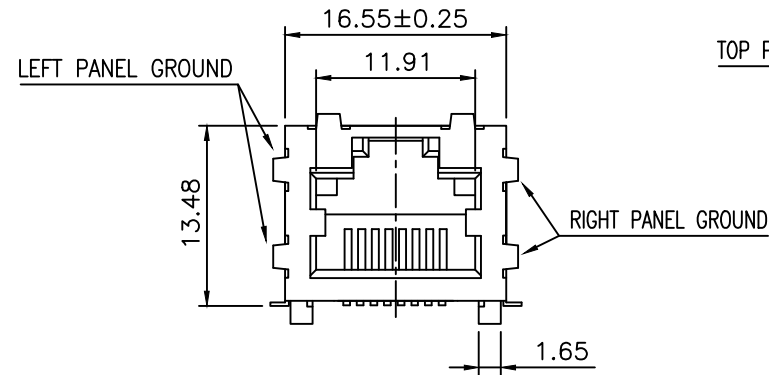
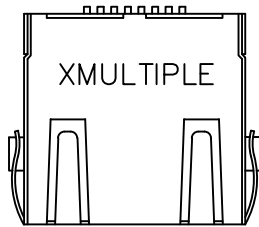


RoHS Compliance



PCB LAYOUT
Ref.

MATERIAL:

- HOUSING-PA9T GN2330
HEAT RESISTANT PLOYAMIDE RESIN
BLACK COLOR, UL94V-0
- INSERT HOUSING-DSM STANYL TE250F6 (NYLON-46)
HEAT DEFLECTION TEMP.290°
BLACK COLOR, UL94V-0.
- CONTACTS-0.35mm THICK PHOS-BRONZE PLATED
WITH 6u" HARD GOLD AND GOLD FLASH IN
SOLDER AREA.
- SHIELD-0.25mm THICK COPPER ALLOY,
PLATED WITH NICKEL.

CAVITY CONFIRMS TO FCC RULES AND REGULATIONS
PART 68,SUBPART F.

THIS DRAWING IS A CONTROLLED DOCUMENT. DO NOT SCALE DRAWING.	
DIMENSIONS: MM	TOLERANCES UNLESS OTHERWISE SPECIFIED:
	0 PLC ± - 1 PLC ± 0.25 2 PLC ± 0.20 3 PLC ± 0.10 ANGLES ± -
MATERIAL SEE NOTES	FINISH SEE NOTES
DWN <i>T. Li</i>	DATE OCT-01-2021
CHK <i>D. Wang</i>	OCT-01-2021
APVD <i>R. Tsai</i>	OCT-04-2021



TITLE
MODULAR JACK, RJ45, WITHOUT LED'S
SHIELDED, SMT TYPE, SIDE ENTRY

REVISIONS	DESCRIPTION	DATE	APVD
△ -		-	-

SIZE A3	DRAWING NO XMS-9756-8814-S3-B-LFG
WEIGHT - GRAMS Ref.	REV 1 SHEET 1