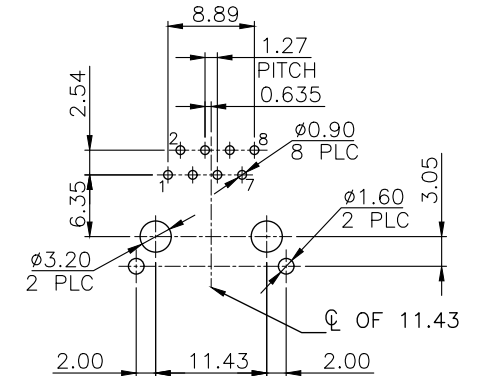
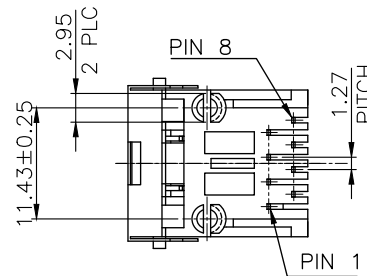
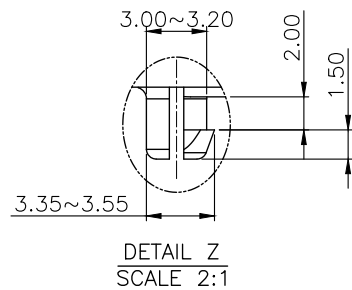
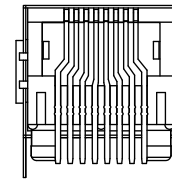
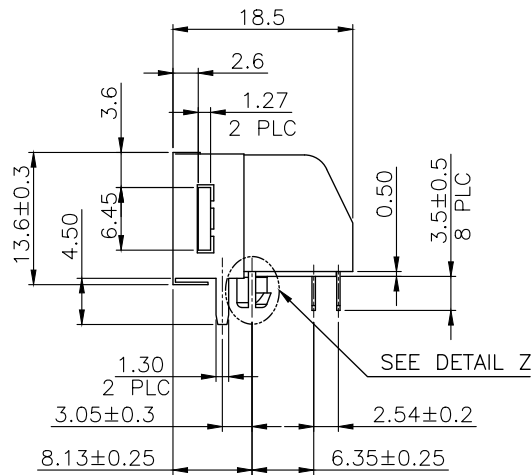
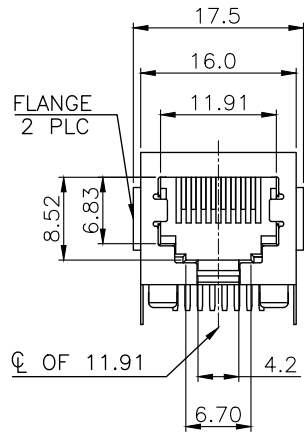


# RoHS Compliance

NOTE:

CAVITY CONFIRMS TO FCC RULES AND REGULATIONS PART 68, SUBPART F.

- MATERIAL:  
HOUSING: PBT, WITH GLASS FIBER,  
UL 94V-0, STANDARD COLOR-BLACK.  
CONTACTS: PHOSPHOR BRONZE.  
SHELL: BRASS.
- FINISH:  
CONTACTS: 0.152 $\mu$ m [6 $\mu$ "] GOLD PLATED ON CONTACT AREA,  
GOLD FLASH PLATED ON SOLDER TAIL,  
WITH ENTIRE CONTACT UNDERPLATED  
1.27 $\mu$ m [50 $\mu$ "] MIN. NICKEL  
SHELL: 0.508 $\mu$ m [20 $\mu$ "] MIN. NICKEL PLATED.



RECOMMENDED PCB LAYOUT  
RECOMMENDED PCB THICKNESS: 1.6mm  
TOLERANCE:  $\pm 0.05$  (TOP VIEW)

THIS DRAWING IS A CONTROLLED DOCUMENT.  
DO NOT SCALE DRAWING.

DIMENSIONS: MM  
TOLERANCES UNLESS OTHERWISE SPECIFIED:

THIRD ANGLE PROJECTION  
MATERIAL: SEE NOTES  
FINISH: SEE NOTES

DWN: T. Li  
CHK: D. Wang  
APVD: R. Tsai  
DATE: JAN-10-2012  
DATE: JAN-10-2012  
DATE: JAN-11-2012



www.xmultiple.com

TITLE: RJ45, DIP, WITH SHELL, LOW PROFILE, SIDE ENTRY PCB JACK

SIZE: A3  
DRAWING NO: XMK-9659-8814-F  
WEIGHT: - GRAMS Ref.  
REV: 12  
SHEET: 1

REVISIONS	DESCRIPTION	DATE	APVD
△ -			