

RoHS Compliance

NOTE:

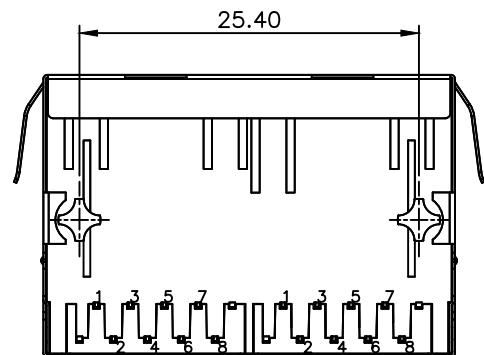
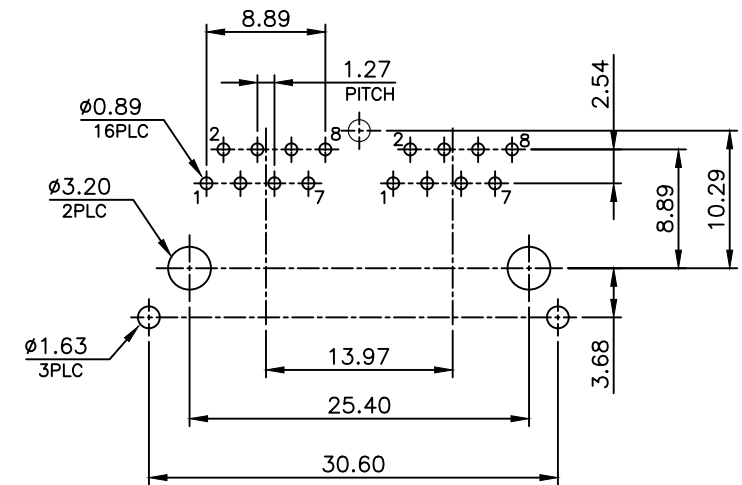
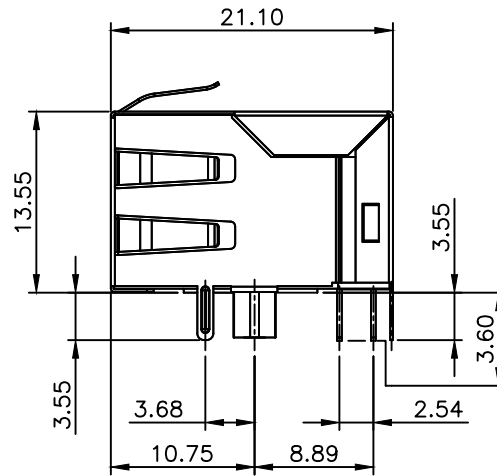
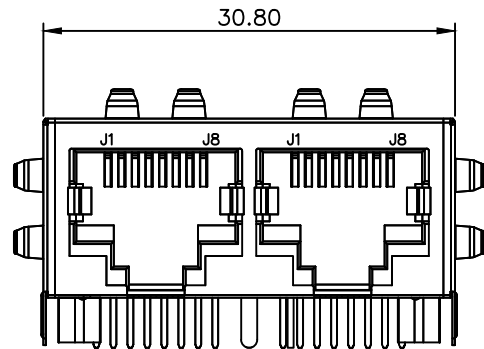
CAVITY CONFORMS TO FCC RULES AND REGULATIONS PART 68, SUBPART F.

1. MATERIAL:

- 1.1 HOUSING: PBT, WITH GLASS FIBER, UL94V-0, STANDARD COLOR-BLACK.
- 1.2 INSERT HOUSING: PBT, WITH GLASS FIBER, UL94V-0, STANDARD COLOR-BLACK.
- 1.3 CONTACTS: PHOSPHOR BRONZE.
- 1.4 SHELL: BRASS.

2. FINISH:

- 2.1 CONTACTS: 0.152μm [6μ"]GOLD PLATED ON CONTACT AREA, GOLD FLASH ON SOLDER TAIL, 1.27μm [50μ"] MIN. NICKEL UNDERPLATED OVERALL.
- 2.2 SHELL: 0.508μm [20μ"] MIN. NICKEL PLATED.



| | | | |
|---|-------------|---|-------------|
| THIS DRAWING IS A CONTROLLED DOCUMENT. DO NOT SCALE DRAWING. | | | |
| DIMENSIONS: MM | | TOLERANCES UNLESS OTHERWISE SPECIFIED: | |
| THIRD ANGLE PROJECTION | | X | ± - |
| | | X.X | ± 0.30 |
| MATERIAL SEE NOTES | | X.XX | ± 0.25 |
| | | X.XXX | ± 0.10 |
| APVD | | FINISH SEE NOTES | |
| △ | - | DWN | T. LI |
| LTR | DESCRIPTION | DATE | MAR-13-2019 |
| | | CHK | D. Wang |
| | | APVD | R. Tsai |
| | REVISIONS | DATE | MAR-13-2019 |

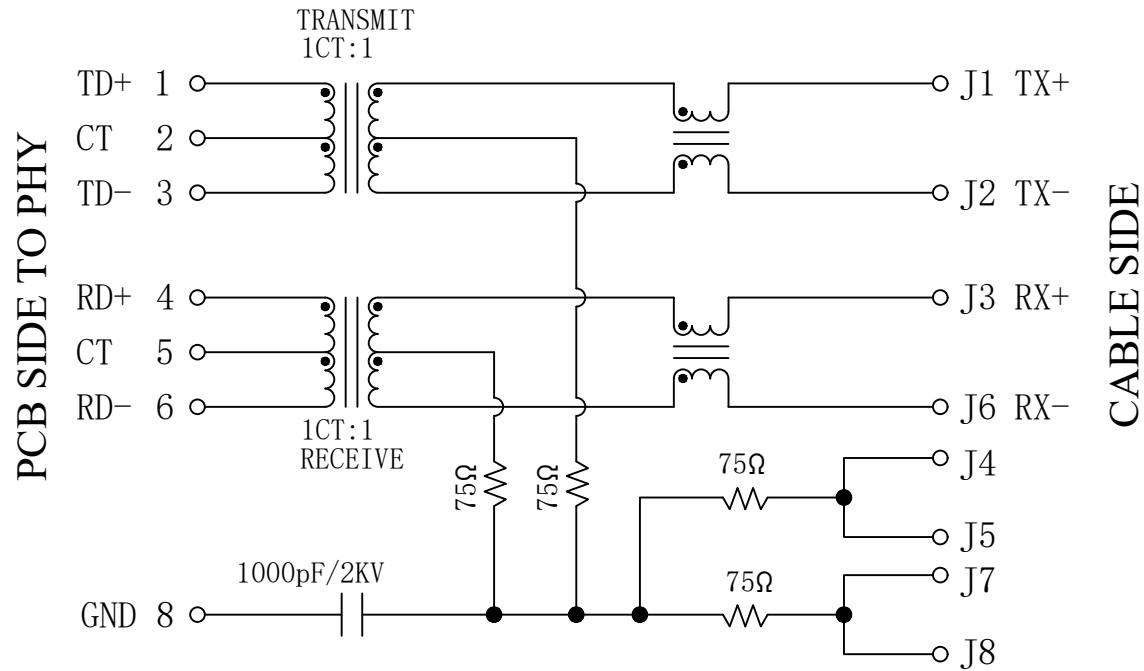


| | | | |
|--------|--------------|--|-----------|
| TITLE | | 2PORTS, RJ45,SHELLLESS, FLAT PIN, WITH TRANSFORMER, SIDE ENTRY PCB JACK | |
| SIZE | DRAWING NO | A3 XMG-9759-8824-230B-TIB-B-GD | |
| WEIGHT | - GRAMS Ref. | REV | A SHEET 1 |

| | | | |
|--|--|--|--|
| | | | |
| | | | |
| | | | |
| | | | |

RoHS Compliance

9759 TRANSFORMER TYPE TIB



Electrical:

1. Turn ratio: 1~3: J1~J2=1CT:1CT(±2%).
4~6: J3~J6=1CT:1CT(±2%).
2. OCL: 350uH Min. at 100KHz 100mV 8mA DC.
3. Insertion Loss: -1.0 dB Max 1~100MHz.
4. Return loss: -20dB Min 1~10MHz;
-16dB Min 10~30MHz.
-12dB Min 30~60MHz.
-10dB Min 60~80MHz.
5. Cross talk: -40dB Min 1~30MHz;
-35dB Min 30~60MHz;
-30dB Min 60~100MHz;
6. CMR: -30dB Min 1~100MHz;
7. Hi-Pot: 1500V AC & 2250V DC
6S 1mA PRI TO SEC

THIS DRAWING IS A CONTROLLED DOCUMENT.
DO NOT SCALE DRAWING.

DIMENSIONS: MM TOLERANCES UNLESS OTHERWISE SPECIFIED:

THIRD ANGLE PROJECTION

MATERIAL SEE NOTES FINISH SEE NOTES

DWN T. LI DATE MAR-13-2019

CHK D. Wang DATE MAR-13-2019

APVD R. Tsai DATE MAR-13-2019



www.xmultiple.com

TITLE
2PORTS, RJ45, SHELLLESS, FLAT PIN,
WITH TRANSFORMER, SIDE ENTRY PCB JACK

SIZE A3 DRAWING NO XMG-9759-8824-230B-TIB-B-GD

WEIGHT - GRAMS Ref. REV - SHEET 2

| REVISIONS | DESCRIPTION | DATE | APVD |
|-----------|-------------|------|------|
| | | | |
| | | | |
| | | | |