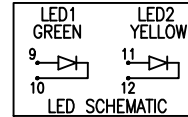
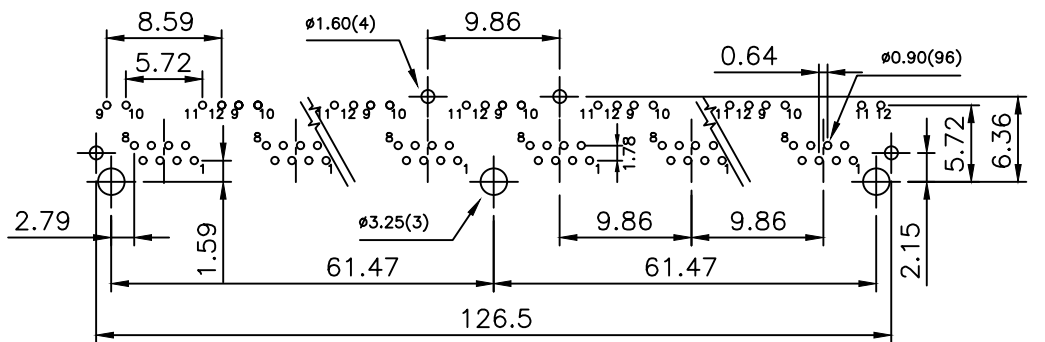
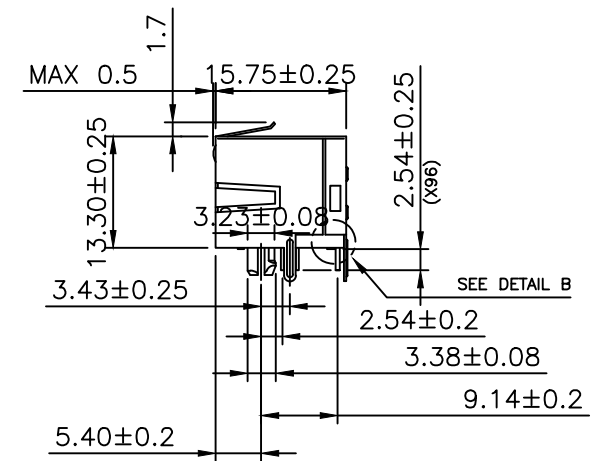
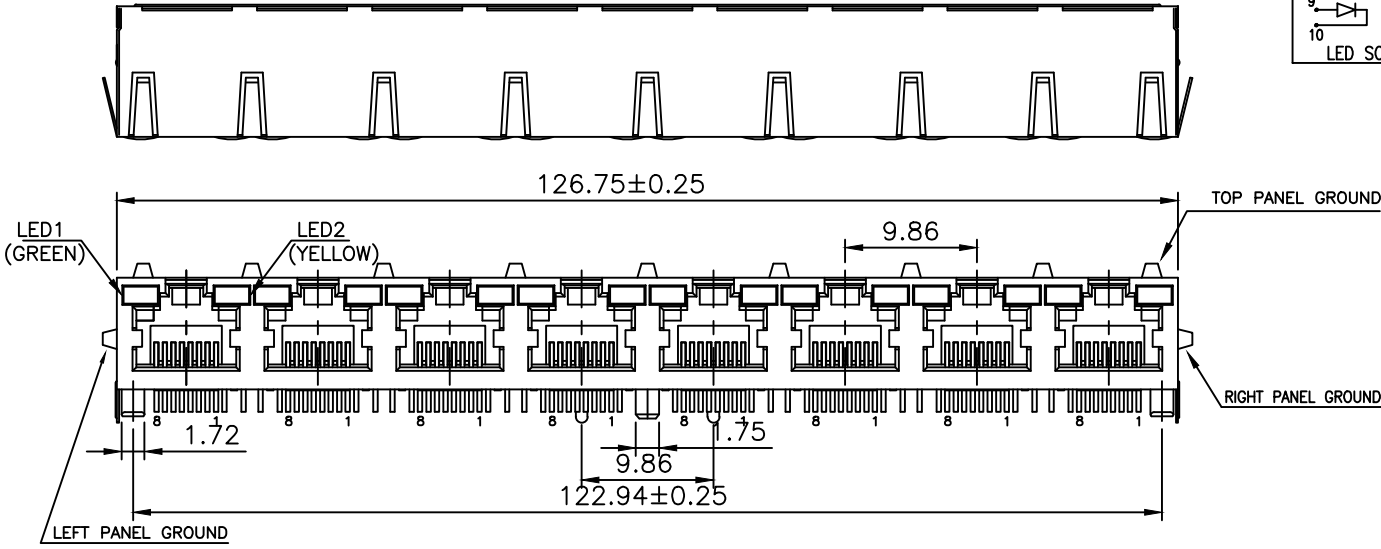


# RoHS Compliance



## MATERIAL:

- HOUSING—DSM STANYL TE250F6 (NYLON-46)  
HEAT DEFLECTION TEMP.290°  
BLACK COLOR, UL94V-0
  - CONTACTS—0.35mm THICK PHOS-BRONZE PLATED  
WITH 6u" HARD GOLD AND GOLD FLASH ON  
SOLDER AREA.
  - SHIELD—0.25mm THICK COPPER ALLOY,  
PLATED WITH NICKEL.
- CAVITY CONFIRMS TO FCC RULES AND REGULATIONS  
PART 68,SUBPART F.



PCB Layout (Ref.)

THIS DRAWING IS A CONTROLLED DOCUMENT. DO NOT SCALE DRAWING.	
DIMENSIONS: MM	TOLERANCES UNLESS OTHERWISE SPECIFIED:
	X ± - X.X ± 0.25 X.XX ± 0.13 X.XXX ± 0.05 ANGLES ± -
MATERIAL SEE NOTES	FINISH SEE NOTES
DWN <i>T. Li</i>	DATE OCT-04-2018
CHK <i>D. Wang</i>	OCT-04-2018
APVD <i>R. Tsai</i>	OCT-04-2018

**XMULTIPLE**  
www.xmultiple.com

TITLE 8PORTS, RJ45, WITH LED'S SHIELDED, SIDE ENTRY PCB GANGED JACK	
SIZE A3	DRAWING NO XRJM-S-08-8-8-1
WEIGHT - GRAMS Ref.	REV 1 SHEET 1

REVISIONS	DESCRIPTION	DATE	APVD
△ -		-	-
LTR	DESCRIPTION	DATE	APVD