

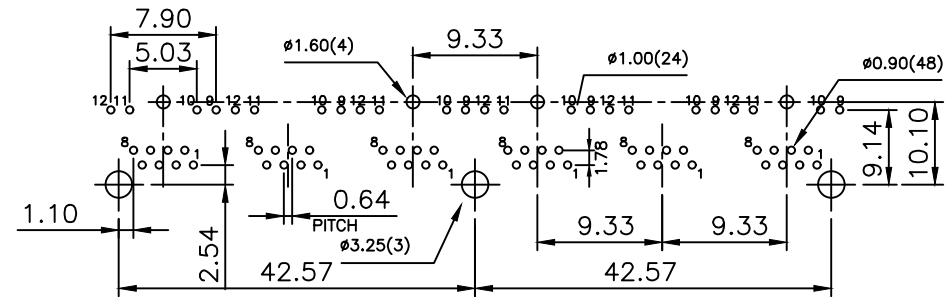
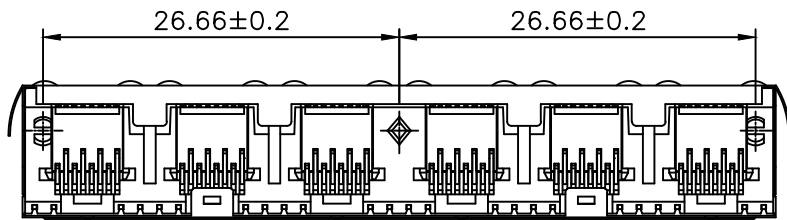
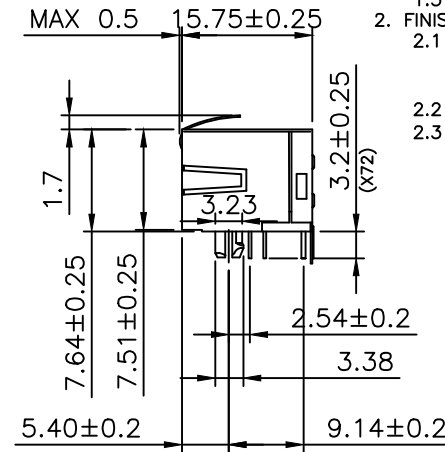
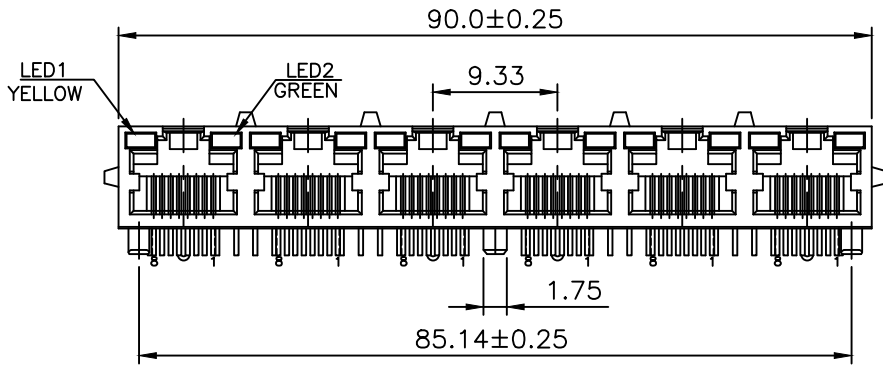
RoHS Compliance

YELLOW	GREEN
12+ -	-11 10+ -
LED SCHEMATIC	

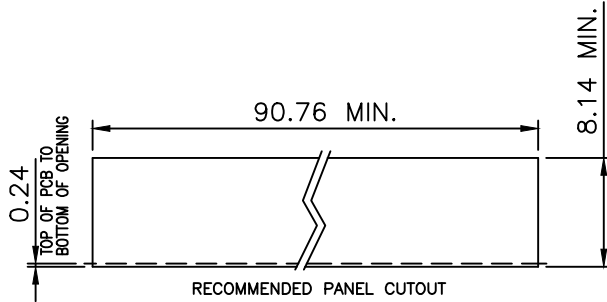
NOTE:

CAVITY CONFIRMS TO FCC RULES AND REGULATIONS PART 68, SUBPART F.

- MATERIAL:
 - HOUSING: PBT, WITH GLASS FIBER, UL94V-0, STANDARD COLOR-BLACK.
 - INSERT HOUSING: PBT, WITH GLASS FIBER, UL94V-0, STANDARD COLOR-BLACK.
 - CONTACTS: PHOSPHOR BRONZE.
 - SHELL: BRASS.
 - LED SOLDER TAIL: STEEL.
- FINISH:
 - CONTACTS: GOLD PLATED ON CONTACT AREA, 2.54μm [100μ"] MIN. TIN PLATED ON SOLDER TAIL, 1.27μm [50μ"] MIN. NICKEL UNDERPLATED OVERALL.
 - SHELL: 0.508μm [20μ"] MIN. NICKEL PLATED.
 - LED SOLDER TAIL: 2.032μm [80μ"] MIN. TIN PLATED.



PCB Layout (Ref.)



THIS DRAWING IS A CONTROLLED DOCUMENT. DO NOT SCALE DRAWING.	
DIMENSIONS: MM	TOLERANCES UNLESS OTHERWISE SPECIFIED:
	X ± X.X ±0.25 X.XX ±0.13 X.XXX ±0.05 ANGLES ±
MATERIAL SEE NOTES	FINISH SEE NOTES
DWN T. Li	DATE OCT-04-2018
CHK D. Wang	OCT-04-2018
APVD R. Tsai	OCT-04-2018



www.xmultiple.com

TITLE 6PORTS, RJ45, WITH LED'S
SHIELDED, SIDE ENTRY PCB GANGED JACK

REVISIONS	DESCRIPTION	DATE	APVD
△ -			
LTR			

SIZE A3	DRAWING NO XRJM-S-06-8-8-1
WEIGHT - GRAMS Ref.	REV 1 SHEET 1