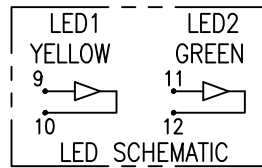


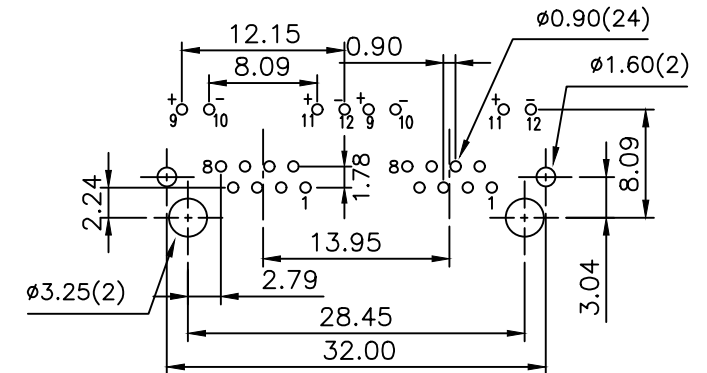
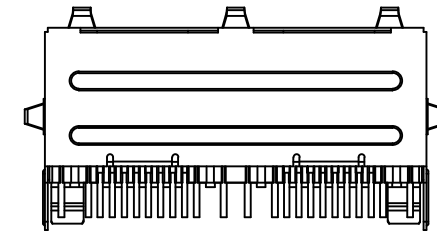
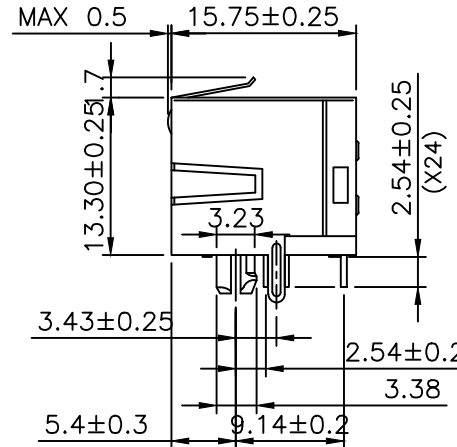
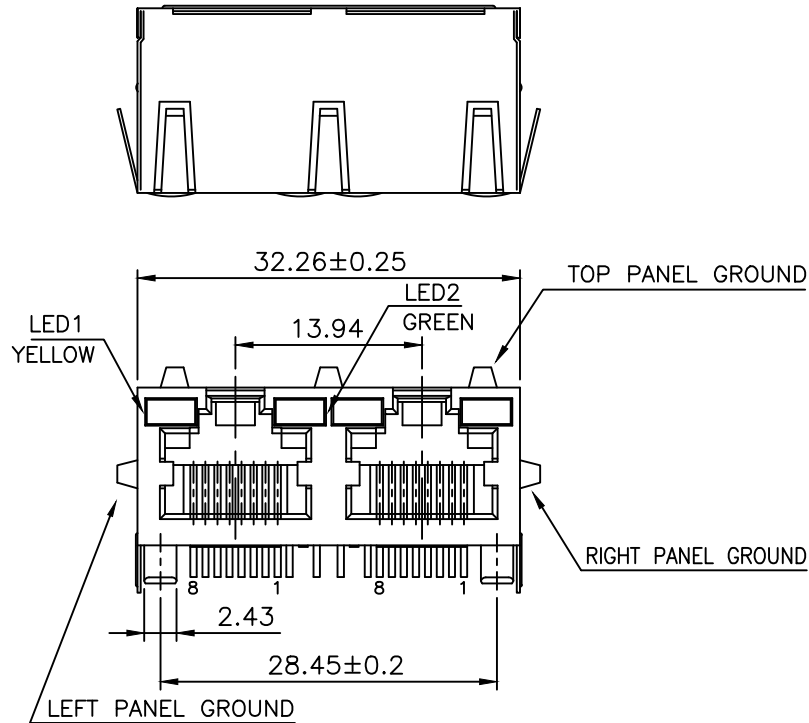
RoHS Compliance



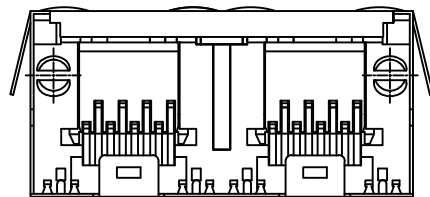
MATERIAL:

- HOUSING—DSM STANYL TE250F6 (NYLON-46)
HEAT DEFLECTION TEMP.290°
BLACK COLOR, UL94V-0
- CONTACTS—0.35mm THICK PHOS-BRONZE PLATED
WITH 15u" HARD GOLD AND GOLD FLASH IN
SOLDER AREA.
- SHIELD—0.25mm THICK COPPER ALLOY,
PLATED WITH NICKEL.

CAVITY CONFIRMS TO FCC RULES AND REGULATIONS
PART 68,SUBPART F.



PCB LAYOUT (Ref.)



THIS DRAWING IS A CONTROLLED DOCUMENT.
DO NOT SCALE DRAWING.

DIMENSIONS: MM	TOLERANCES UNLESS OTHERWISE SPECIFIED:
	X ± - X.X ± 0.25 X.XX ± 0.13 X.XXX ± 0.05 ANGLES ± -
THIRD ANGLE PROJECTION	
MATERIAL	FINISH
SEE NOTES	SEE NOTES



www.xmultiple.com

TITLE
2PORTS, 8POSITION, WITH LED'S
SHIELDED, SIDE ENTRY PCB GANGED JACK

REVISIONS	DESCRIPTION	DATE	APVD
△ -			
LTR			

DWN	T. LI	DATE	JUN-27-2016
CHK	D. Wang		JUN-27-2016
APVD	R. Tsai		JUN-28-2016

SIZE	A3	DRAWING NO	XRJM-S-02-8-8-1
WEIGHT	- GRAMS Ref.	REV	1 SHEET 1