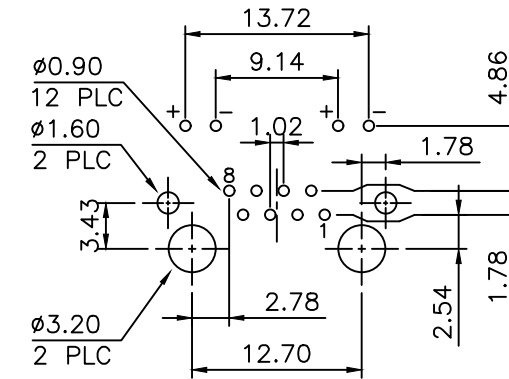
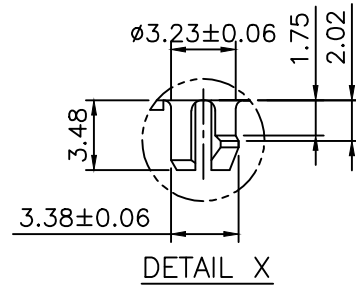
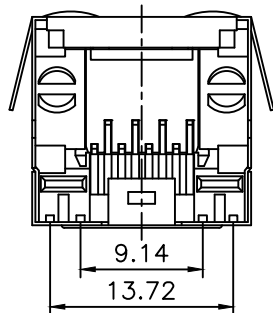
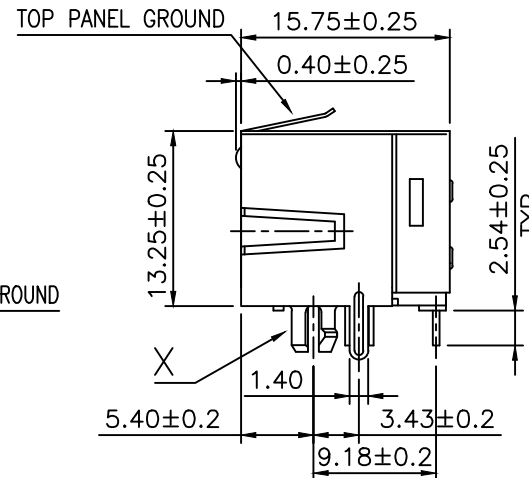
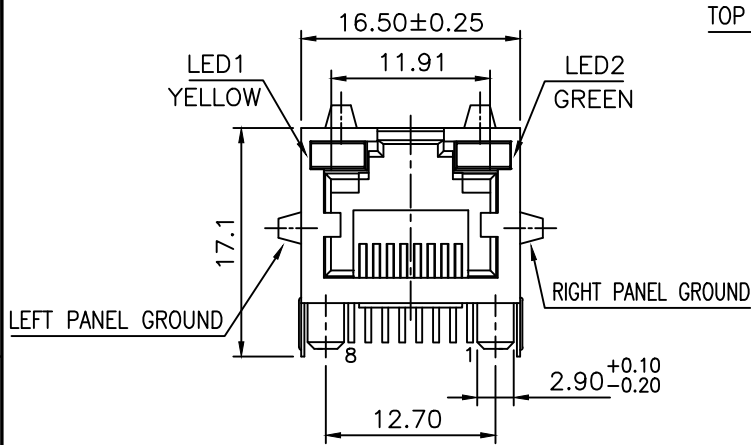
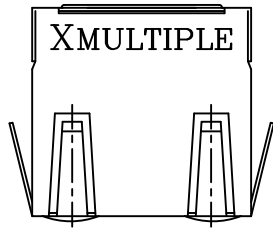


# RoHS Compliance

## MATERIALS:

- HOUSING—DSM STANYL TE250F6 (NYLON-46)  
HEAT DEFLECTION TEMP.290°  
BLACK COLOR,UL94V-0
- CONTACTS—0.35mm THICK PHOS-BRONZE PLATED  
WITH 15u" HARD GOLD AND GOLD FLASWH IN  
SOLDER AREA.
- SHIELD—0.25mm THICK COPPER ALLOY,  
PLATED WITH NICKEL.

CAVITY CONFIRMS TO FCC RULES AND REGULATIONS  
PART 68,SUBPART F.



THIS DRAWING IS A CONTROLLED DOCUMENT.  
DO NOT SCALE DRAWING.

DIMENSIONS: MM	TOLERANCES UNLESS OTHERWISE SPECIFIED:
	X ± - X.X ± 0.25 X.XX ± 0.13 X.XXX ± 0.05 ANGLES ± -
THIRD ANGLE PROJECTION	
MATERIAL SEE NOTES	FINISH SEE NOTES



www.xmultiple.com

TITLE RJ45, WITH LED'S, SHIELDED  
FLAT PIN, SIDE ENTRY JACK

REVISIONS	DESCRIPTION	DATE	APVD
△ -			
LTR			

DWN	T. LI	DATE	OCT-04-2018
CHK	D. Wang		OCT-04-2018
APVD	R. Tsai		OCT-04-2018

SIZE	DRAWING NO	WEIGHT	REV	SHEET
A3	XRJM-S-01-8-8-1	- GRAMS Ref.	1	1