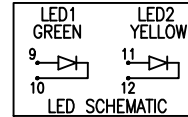
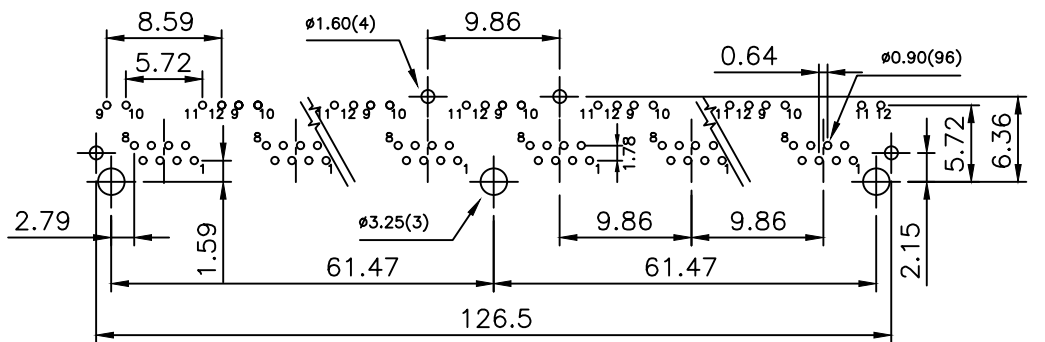
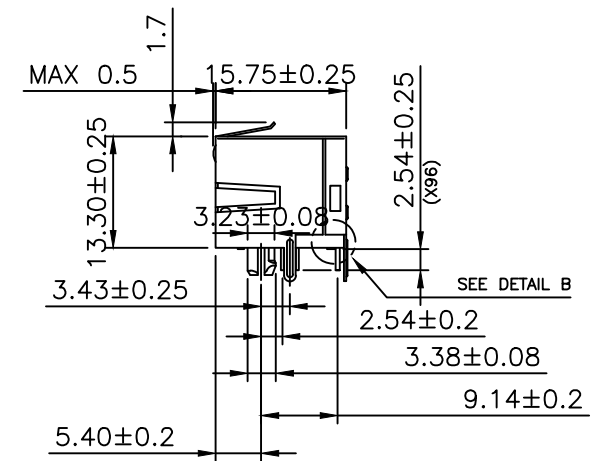
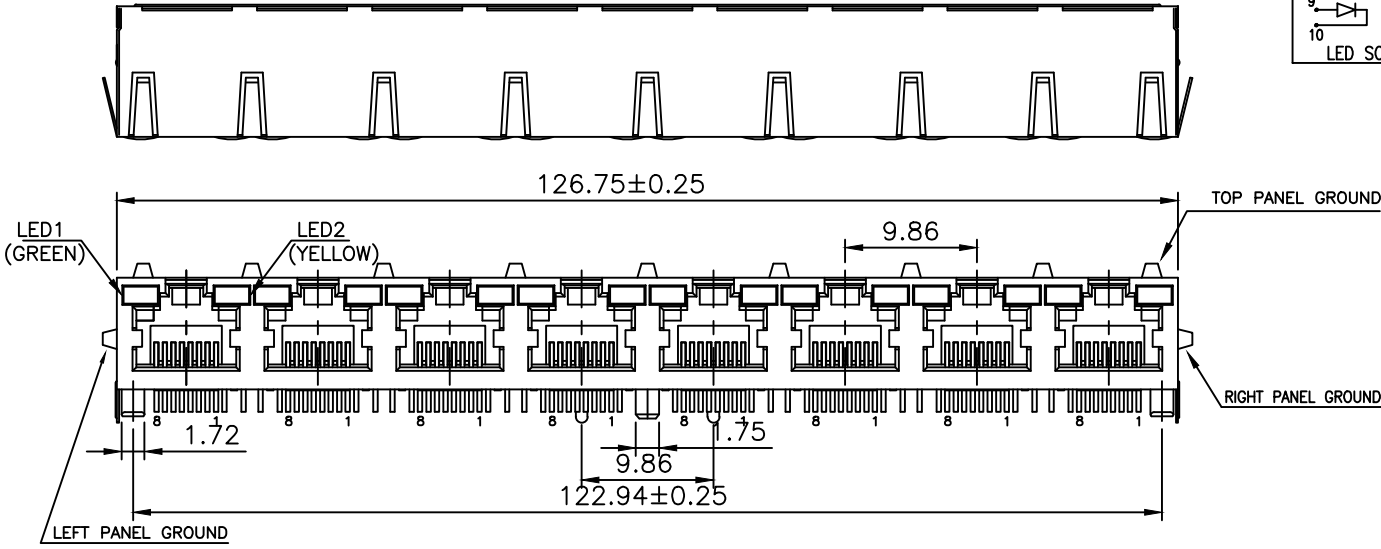


# RoHS Compliance



## MATERIAL:

- HOUSING—DSM STANYL TE250F6 (NYLON-46)  
HEAT DEFLECTION TEMP.290°  
BLACK COLOR, UL94V-0
  - CONTACTS—0.35mm THICK PHOS-BRONZE PLATED  
WITH 6u" HARD GOLD AND GOLD FLASH ON  
SOLDER AREA.
  - SHIELD—0.25mm THICK COPPER ALLOY,  
PLATED WITH NICKEL.
- CAVITY CONFIRMS TO FCC RULES AND REGULATIONS  
PART 68,SUBPART F.



|                                                                 |                                           |
|-----------------------------------------------------------------|-------------------------------------------|
| THIS DRAWING IS A CONTROLLED DOCUMENT.<br>DO NOT SCALE DRAWING. |                                           |
| DIMENSIONS:<br>MM                                               | TOLERANCES UNLESS<br>OTHERWISE SPECIFIED: |
| THIRD ANGLE PROJECTION                                          | X ± -                                     |
|                                                                 | X.X ± 0.25                                |
|                                                                 | X.XX ± 0.13                               |
|                                                                 | X.XXX ± 0.05                              |
| MATERIAL                                                        | FINISH                                    |
| SEE NOTES                                                       | SEE NOTES                                 |
| DWN<br><i>T. Li</i>                                             | DATE<br>OCT-04-2018                       |
| CHK<br><i>D. Wang</i>                                           | OCT-04-2018                               |
| APVD<br><i>R. Tsai</i>                                          | OCT-04-2018                               |

www.xmultiple.com

TITLE  
8PORTS, RJ45, WITH LED'S  
SHIELDED, SIDE ENTRY PCB GANGED JACK

|                        |                                         |
|------------------------|-----------------------------------------|
| SIZE<br>A3             | DRAWING NO<br>XMM-9714-8814-8-S3L1-C-IM |
| WEIGHT<br>- GRAMS Ref. | REV 1 SHEET 1                           |

| REVISIONS | DESCRIPTION | DATE | APVD |
|-----------|-------------|------|------|
| △ -       |             |      |      |