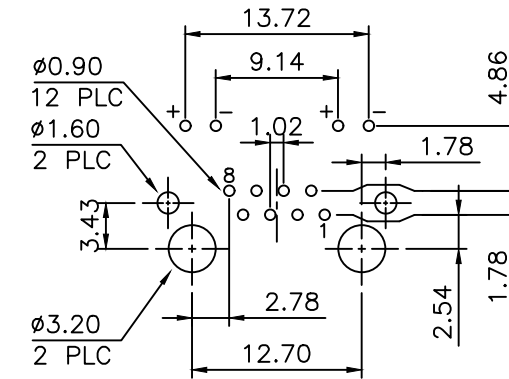
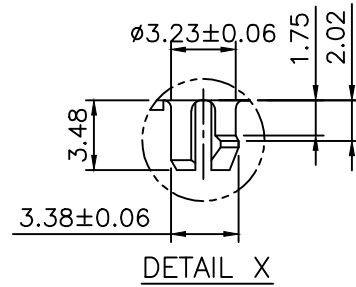
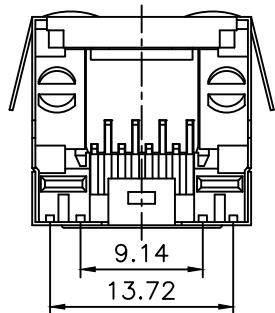
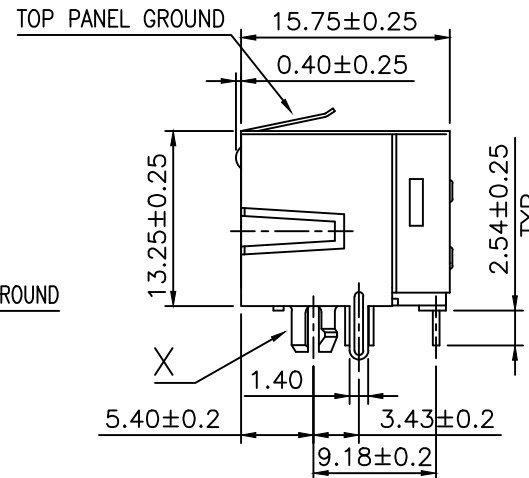
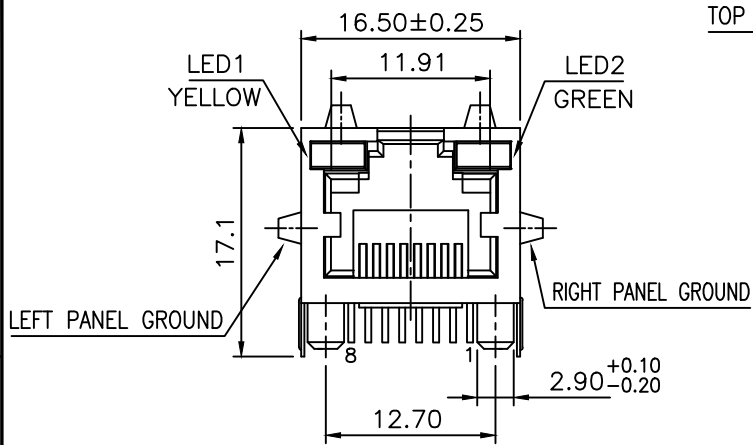
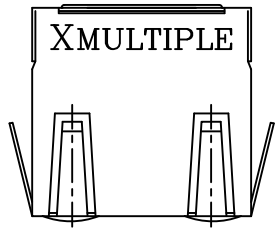


RoHS Compliance

MATERIALS:

- HOUSING—DSM STANYL TE250F6 (NYLON-46)
HEAT DEFLECTION TEMP.290°
BLACK COLOR,UL94V-0
- CONTACTS—0.35mm THICK PHOS-BRONZE PLATED
WITH 15u" HARD GOLD AND GOLD FLASWH IN
SOLDER AREA.
- SHIELD—0.25mm THICK COPPER ALLOY,
PLATED WITH NICKEL.

CAVITY CONFIRMS TO FCC RULES AND REGULATIONS
PART 68,SUBPART F.



THIS DRAWING IS A CONTROLLED DOCUMENT.
DO NOT SCALE DRAWING.

DIMENSIONS: MM	TOLERANCES UNLESS OTHERWISE SPECIFIED:
	X ± - X.X ± 0.25 X.XX ± 0.13 X.XXX ± 0.05 ANGLES ± -
THIRD ANGLE PROJECTION	



www.xmultiple.com

TITLE RJ45, WITH LED'S, SHIELDED
FLAT PIN, SIDE ENTRY JACK

REVISIONS	DESCRIPTION	DATE	APVD
△ -			
LTR			

MATERIAL	FINISH
SEE NOTES	SEE NOTES
DWN T. LI	DATE OCT-04-2018
CHK D. Wang	OCT-04-2018
APVD R. Tsai	OCT-04-2018

SIZE	DRAWING NO	
A3	XMM-9714-8811-S3L2-Q-IM	
WEIGHT	REV	SHEET
- GRAMS Ref.	1	1