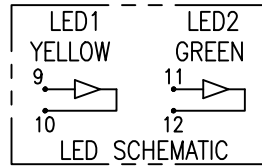


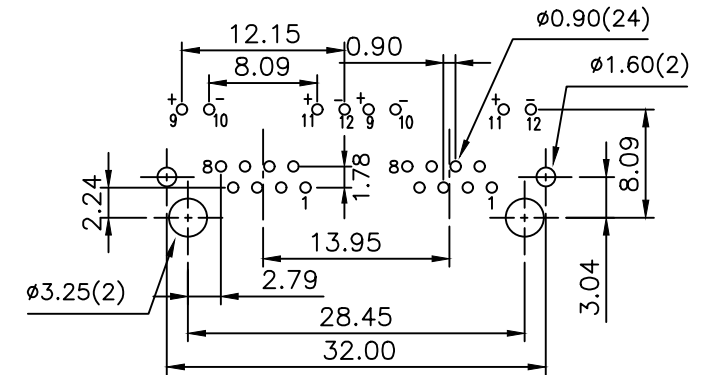
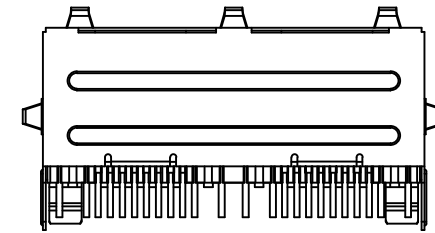
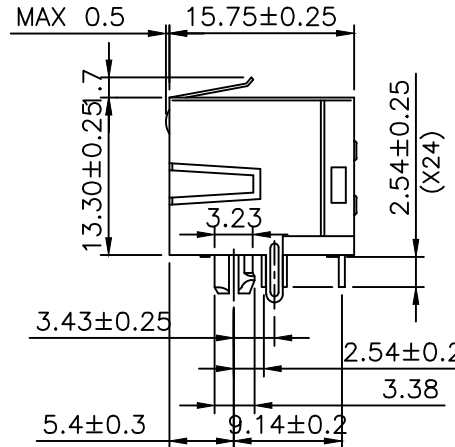
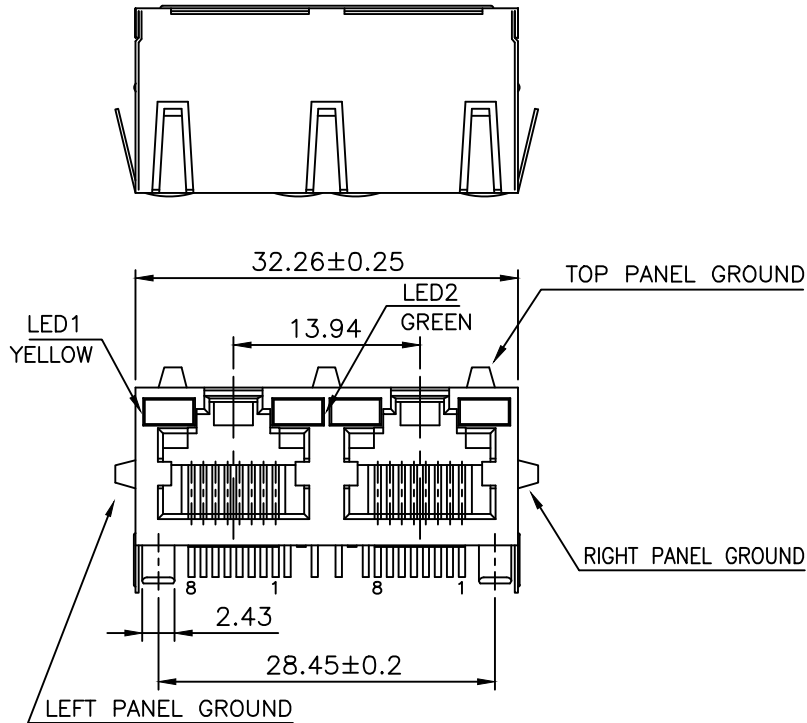
RoHS Compliance



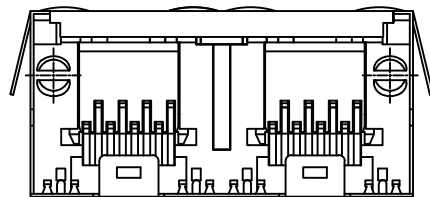
MATERIAL:

- HOUSING—DSM STANYL TE250F6 (NYLON-46)
HEAT DEFLECTION TEMP.290°
BLACK COLOR, UL94V-0
- CONTACTS—0.35mm THICK PHOS-BRONZE PLATED
WITH 15u" HARD GOLD AND GOLD FLASH IN
SOLDER AREA.
- SHIELD—0.25mm THICK COPPER ALLOY,
PLATED WITH NICKEL.

CAVITY CONFIRMS TO FCC RULES AND REGULATIONS
PART 68,SUBPART F.



PCB LAYOUT (Ref.)



THIS DRAWING IS A CONTROLLED DOCUMENT.
DO NOT SCALE DRAWING.

DIMENSIONS: MM TOLERANCES UNLESS OTHERWISE SPECIFIED:

THIRD ANGLE PROJECTION
MATERIAL: SEE NOTES FINISH: SEE NOTES

DWN T. LI DATE JUN-27-2016
CHK D. Wang JUN-27-2016
APVD R. Tsai JUN-28-2016



www.xmultiple.com

TITLE
2PORTS, 8POSITION, WITH LED'S
SHIELDED, SIDE ENTRY PCB GANGED JACK

SIZE A3 DRAWING NO XMM-9714-8811-2-S3L2-B-IM
WEIGHT - GRAMS Ref. REV 1 SHEET 1

REVISIONS	DESCRIPTION	DATE	APVD
△ -			
LTR			