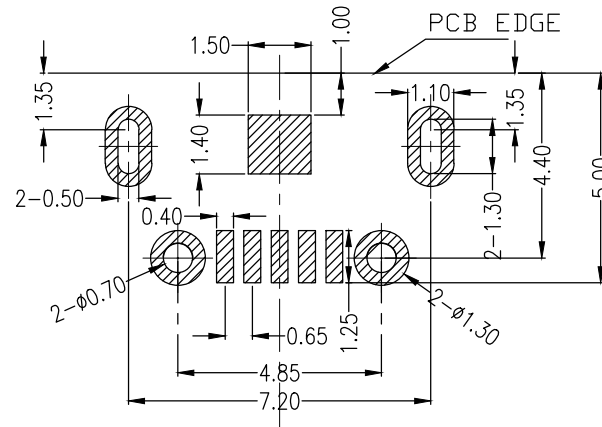
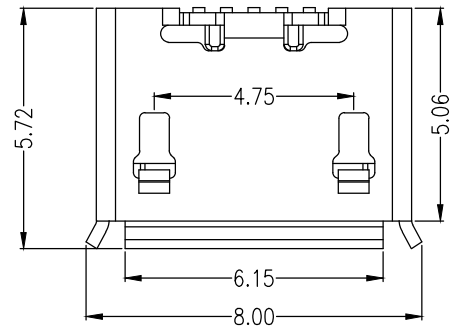
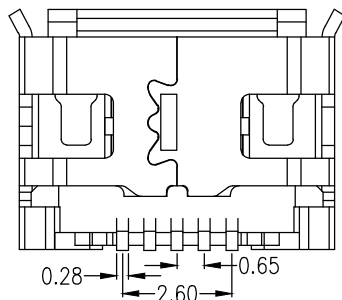
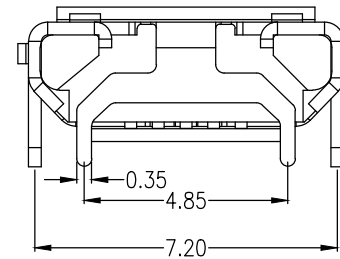
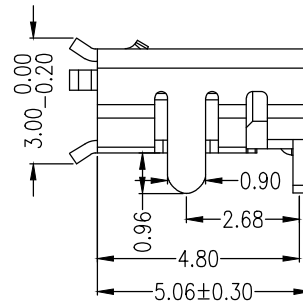
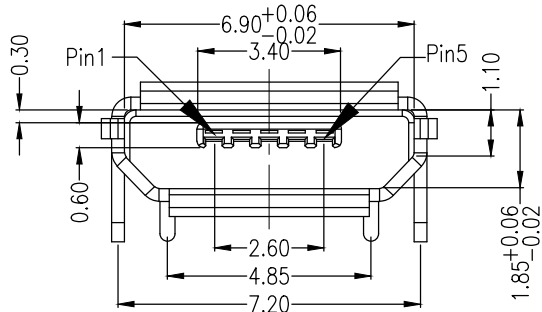


RoHS Compliance



RECOMMENDED PCB LAYOUT

TOL. : ±0.05



Note:

1. Material:
 - 1.1 Housing : High Temperature Thermoplastic with G.F, UL 94V-0
 - 1.2 Contact : Copper Alloy, T=0.15mm, Contact Area G/F Plating.
 - 1.3 Shell : Copper Alloy, T=0.30mm, Tin Plating, Nickel Under-Plated.
2. Specification:
 - 2.1 Current Rating : 1A Max.
 - 2.2 Dielectric Withstanding Voltage : 100 V(AC) for 1 Minute.
 - 2.3 Contact Resistance : 30mΩ Max.
 - 2.4 Insulation Resistance : 1,000MΩ Min.
 - 2.5 Insertion Force : 3.57Kgf Max.
 - 2.6 Withdrawal Force : 1.0Kgf Min.
 - 2.7 Durability : 10,000 Cycles.
 - 2.8 Temperature Range : -40°C~85°C.
3. Package : Tape Reel, 1,500 pcs/Reel.
4. All Parts Meet RoHS Compliant.

THIS DRAWING IS A CONTROLLED DOCUMENT.
DO NOT SCALE DRAWING.

DIMENSIONS: MM
TOLERANCES UNLESS OTHERWISE SPECIFIED:

THIRD ANGLE PROJECTION
MATERIAL: SEE NOTES
FINISH: SEE NOTES



TITLE: Micro USB, BF Type, R/A, Shell Dip*4 pins

REVISIONS	DESCRIPTION	DATE	APVD
△ -			
LTR			

DWN	T. LI	DATE	OCT-04-2021
CHK	D. Wang		OCT-04-2021
APVD	R. Tsai		OCT-04-2021

SIZE	DRAWING NO	
A3	XUSB-MCBF111398	
WEIGHT	- GRAMS Ref.	REV A SHEET 1