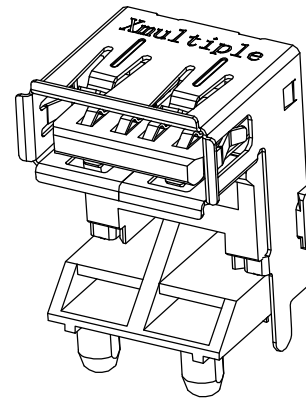
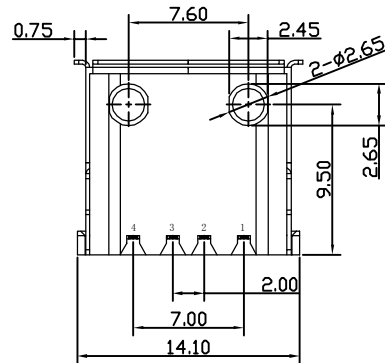
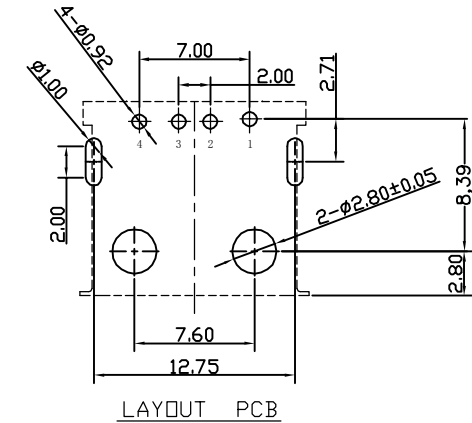
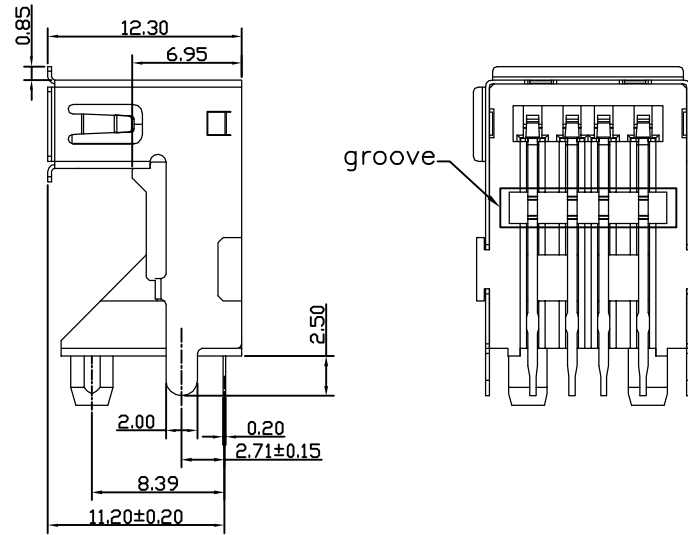
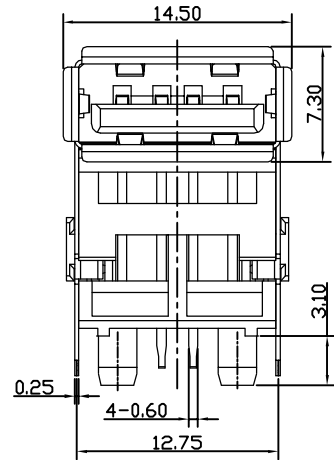


Patent No. 9,728,917

RoHs Compliant



Note:

Product description: Single port USB2.0
 Connector meets all requirements as defined by the USB2.0 standard

Rating:

Voltage rating: 30V rms max.
 Current rating: 1.2A max per pin.

Electrical Characteristics:

Contact resistance: 30 millionhms max.
 Insulation resistance: 100 megohms min.
 Dielectric strength: 500 VAC RMS 60Hz, 1min.

Materials

Hosing: PA46 UL94V-0
 Contact: Copper Alloy

Plating:

Terminal: 30U" Gold plating over nickel
 Shell: Nickel plated

Solder area: Tin plating 100U" minimum
 Contact plating: Peak contact point ±0.5mm
 Steel shell thickness 0.25mm

Total mating force: 3.57kgf max
 Total unmating force: 1.0 kgf min
 Temperature range: -40° C-85° C

Reflow soldering, suggested temperature: 265 °C (±5°C)
 Life cycle: 4-5 years to EOL

XUSB-DY97U2F1104211AD 6

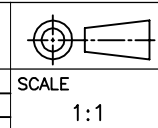
Contact Finish:
 A: 5u B: G/F
 C: 15U D: 30U

CONTACT NUMBER	SIGNAL NAME
PIN 1	VBUS
PIN 2	D-
PIN 3	D+
PIN 4	GND
SHELL	SHIELD

APPROVE	TITLE				
	SINGLE PORT USB2.0				
CHECK	PART NO.				
	XUSB-DY97U2F1104211AD6				
DRAW	REV	DATE	DRAW	CHECK	APPROVE
	A	2016-01-07	Star	Eric	De

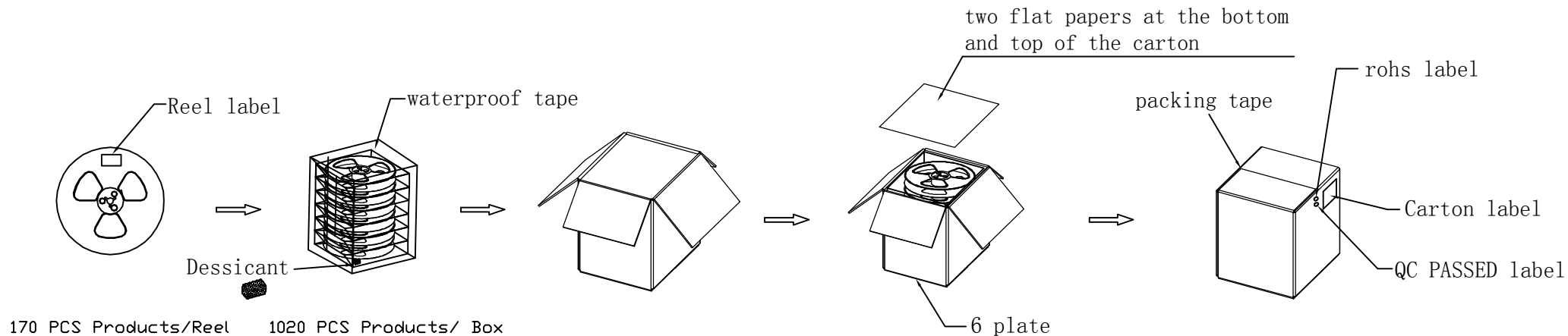


GENERAL TOLERANCE	UNITS	SIZE
.X± 0.15 X.± 2	MM	A4
.XX± 0.10 .X'± 1	SHEE	REV
.XXX± 0.05	1 / 2	A



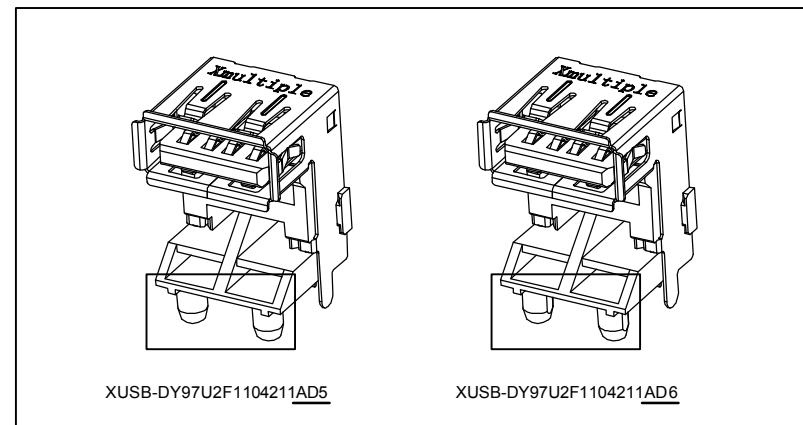
Patent No. 9,728,917


RoHs Compliant



Packaging of one carton

PACKING QUANTITY : 170 PCS FINISHED GOODS PER Reel
6 Reel (1020 PCS FINISHED GOODS) PER CARTON BOX



APPROVE	TITLE SINGLE PORT USB2.0										
CHECK	PART NO. XUSB-DY97U2F1104211AD6										GENERAL TOLERANCE
DRAW	REV	DATE	DRAW	CHECK	APPROVE	.X± 0.15	X.*± 2	SCALE 1:1	SHEE 2 / 2	REV A	
	A	2016-01-07	Star	Eric	De	.XX± 0.10	.X*± 1				
						.XXX± 0.05					