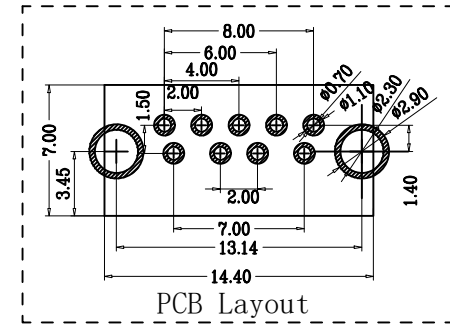
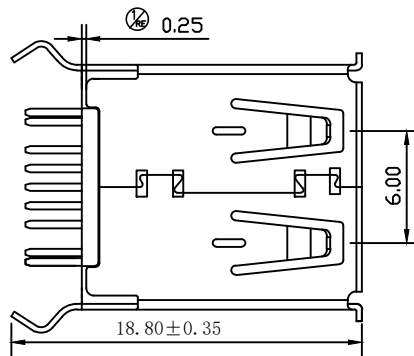
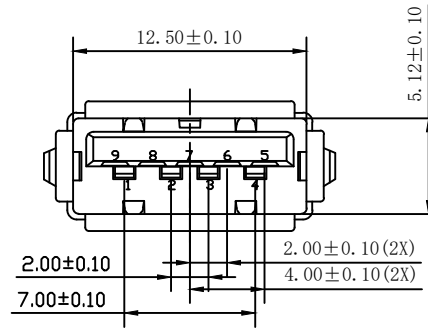
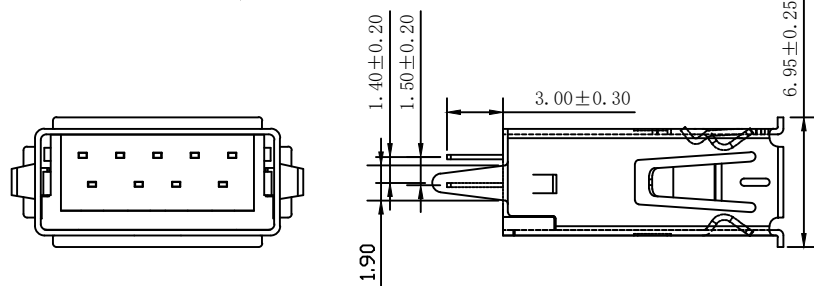
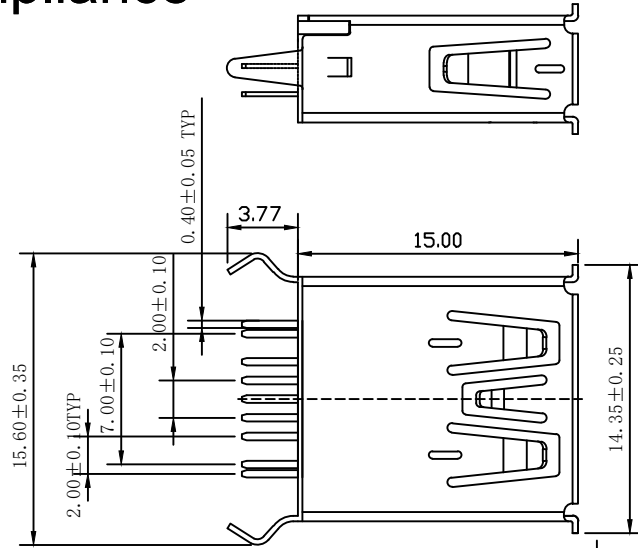


# RoHS Compliance



### Specification :

- Contact Current Rating : 1.8A Max. for Pin1 & Pin4. 0.25A for Other Contacts.
- Dielectric Withstanding Voltage : AC 100V(RMS)
- Insulation Resistance : 100M Ohms Min.
- Contact Resistance : 30mΩ Max. for Pin1 & Pin4, 50mΩ Max. for Other Contacts.
- Mechanical Characteristics : Insertion Force : 35N Max. Withdrawal Force : 10N Min. 8N Min After Durability.
- Operating Temperature : -40° C ~ +85° C.

### MATERIAL:

Housing : PBT+30% G.F. 94V-0 Color : Blue.  
Contact : Copper Alloy( T=0.25mm)  
Shell : Brass

### PLATING:

Contact : G/F Plated on Contact Area.  
Tin Plated 80u" Min. on Solder Area.  
Nickel Plating 40~60u" Under Over All.  
Shell : Nickel Plated Under Over All.

PIN NUMBER	SIGNAL NAME
1	VBUS
2	D-
3	D+
4	GND
5	SSRX-
6	SSRX+
7	GND
8	SSTX-
9	SSTX+
Shell	Shield

THIS DRAWING IS A CONTROLLED DOCUMENT.  
DO NOT SCALE DRAWING.

DIMENSIONS: MM TOLERANCES UNLESS OTHERWISE SPECIFIED:

THIRD ANGLE PROJECTION	X	± 0.3
	X.X	± 0.2
	X.XX	± 0.1
	X.XXX	± 0.05
	ANGLES	± 0.5°

MATERIAL: SEE NOTES FINISH: SEE NOTES

DWN	T. LI	DATE	OCT-04-2018
CHK	D. Wang		OCT-04-2018
APVD	R. Tsai		OCT-05-2018



TITLE

USB 3.0AF, Vertical, Dip

REVISIONS	DESCRIPTION	DATE	APVD
△ -			
LTR			

SIZE	DRAWING NO	
A3	XUSB-30AF VDGDS1-R	
WEIGHT	- GRAMS Ref.	REV A SHEET 1