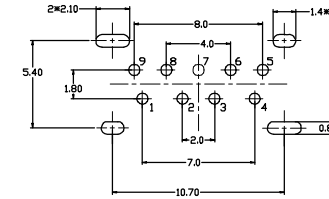
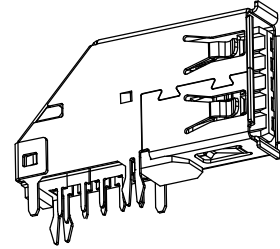
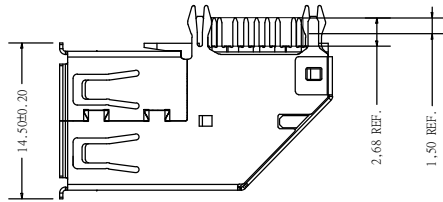


# RoHS Compliance



Recommended PCB Layout

### Specification :

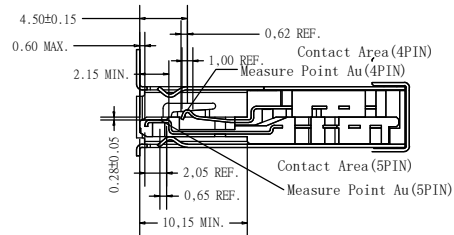
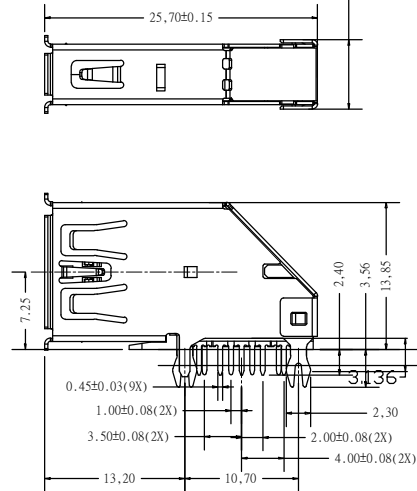
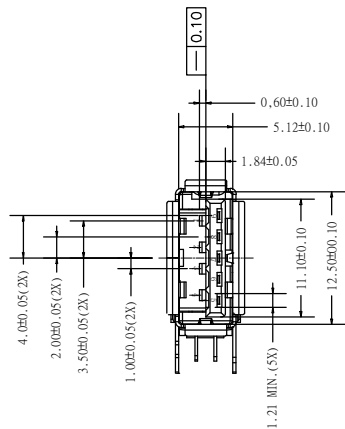
- Contact Current Rating : 1.8A Max. for Pin1 & Pin4.  
0.25A for Other Contacts.
- Dielectric Withstanding Voltage : AC 100V(RMS)
- Insulation Resistance : 100M Ohms Min.
- Contact Resistance :  
30mΩ Max. for Pin1 & Pin4  
50mΩ Max. for Other Contacts.
- Mechanical Characteristics :  
Insertion Force : 35N Max.  
Withdrawal Force : 10N Min. 8N Min After Durability.
- Operating Temperature : -40° C ~ +85° C.

### Material :

Housing : PBT+30% G.F. 94V-0 Color : Blue.  
Contact : Copper Alloy( T=0.25mm)  
Shell : Brass

### Plating :

Contact : G/F Plated on Contact Area.  
Tin Plated 80u" Min. on Solder Area.  
Nickel Plating 40~60u" Under Over All.  
Shell : Nickel Plated Under Over All.



PIN NUMBER	SIGNAL NAME
1	VBUS
2	D-
3	D+
4	GND
5	SSRX-
6	SSRX+
7	GND
8	SSTX-
9	SSRT+
Shell	Shield

THIS DRAWING IS A CONTROLLED DOCUMENT.  
DO NOT SCALE DRAWING.

DIMENSIONS: MM TOLERANCES UNLESS OTHERWISE SPECIFIED:

THIRD ANGLE PROJECTION

MATERIAL SEE NOTES FINISH SEE NOTES

DWN T. LI DATE OCT-17-2018

CHK D. Wang OCT-17-2018

APVD R. Tsai OCT-18-2018



TITLE  
USB3.0 AF, Side Stand, Dip

SIZE DRAWING NO  
A3 XUSB-30AFSDGDS1-S

WEIGHT - GRAMS Ref. REV A SHEET 1

REVISIONS	DESCRIPTION	DATE	APVD
△ -			
LTR			