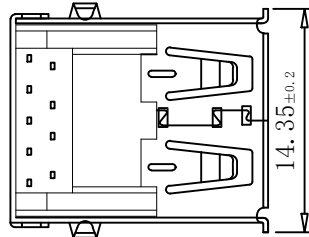
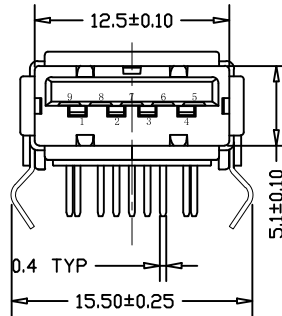
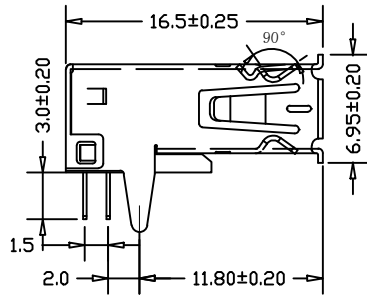
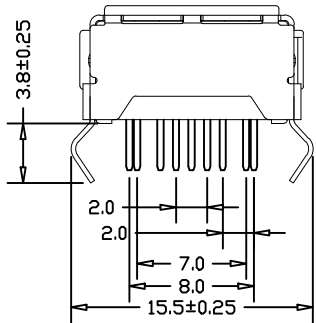
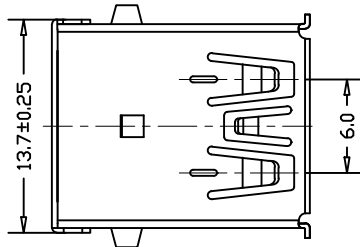
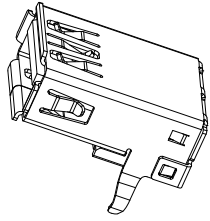


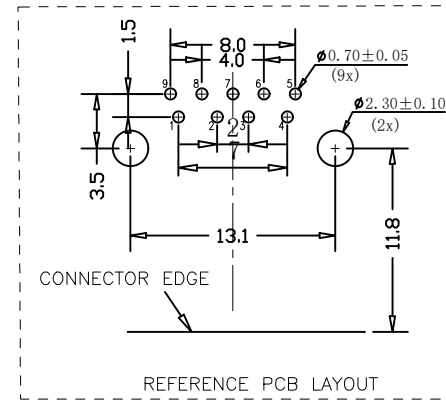
# RoHS Compliance



PIN NUMBER	SIGNAL NAME
1	VBUS
2	D-
3	D+
4	GND
5	SSRX-
6	SSRX+
7	GND
8	SSTX-
9	SSRT+
Shell	Shield

## NOTE:

- Material :
  - Housing : PBT+30%G.F. 94V-0
  - Terminal : Copper Alloy C2680
    - Contact Area Plating : G/F, Nickel Under Plating over all.
    - Solder Tail Plating : Sn 80u" Min. Nickel Under Plating over all.
  - Shell : Copper, Nickel Plating 80u" Min.
- Electrical :
  - Current Rating : 1.8A, 30V AC.
  - Contact Resistance : 30m Ohms Max.
  - Insulation Resistance : 1,000M Ohms Min.
  - Withstanding Voltage : 100V AC, 1 Minute.
  - Operating Temperature : -40°C ~ 85°C.
- Mechanical :
  - Insertion Force : 35N Max.
  - Withdrawal Force : 10N Min.
- Parts all meet RoHS Compliant.



THIS DRAWING IS A CONTROLLED DOCUMENT. DO NOT SCALE DRAWING.	
DIMENSIONS: MM	TOLERANCES UNLESS OTHERWISE SPECIFIED:
	X ± 0.3 X.X ± 0.2 X.XX ± 0.1 X.XXX ± 0.05 ANGLES ± 0.5°
THIRD ANGLE PROJECTION	
MATERIAL SEE NOTES	FINISH SEE NOTES
DWN T. LI	DATE OCT-18-2018
CHK D. Wang	OCT-19-2018
APVD R. Tsai	OCT-19-2018



TITLE  
USB 3.0 AF, R/A, Dip Type

REVISIONS	DESCRIPTION	DATE	APVD
△ -	-	-	-

SIZE A3	DRAWING NO XUSB-30AFRDGDS1-R
WEIGHT - GRAMS Ref.	REV A
	SHEET 1