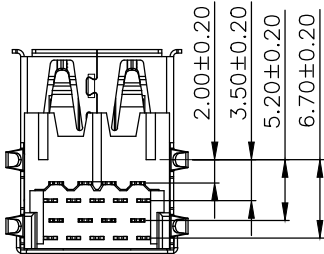
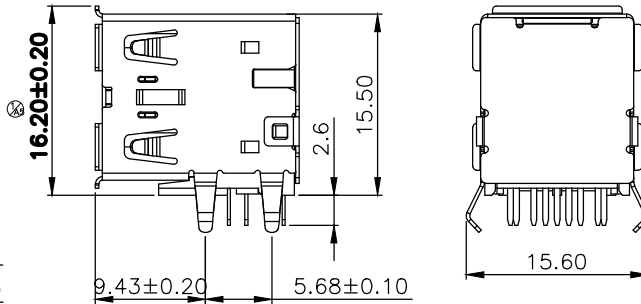
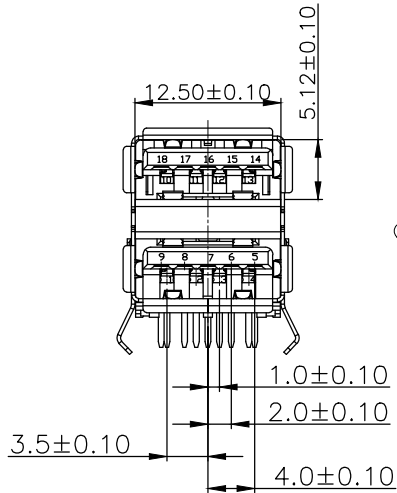
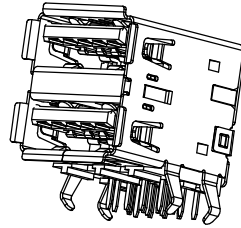
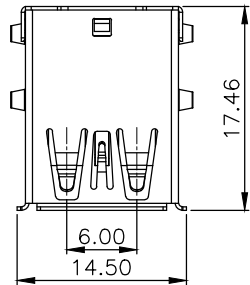


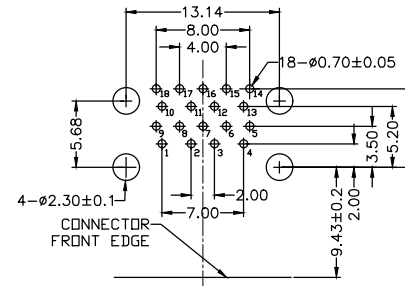
RoHS Compliance



Pin Number	Signal Name	Pin Number	Signal Name
1/10	VBUS	5/14	SSRX-
2/11	D-	6/15	SSRX+
3/12	D+	7/16	GND
4/13	GND	8/17	SSTX-
Shell	Shield	9/18	SSTX+

NOTE:

- Material :
 - Housing : PBT+30%G.F. 94V-0
 - Terminal : Copper Alloy C2680
 - Contact Area Plating : G/F, Nickel Under Plating over all.
 - Solder Tail Plating : Tin 80u" Min. Nickel Under Plating over all.
 - Shell : SPCC, Nickel Plating 50u" Min.
- Electrical :
 - Current Rating : 1.8A for VBUS and GND Contacts,
 - Voltage Rating : 30V AC.
 - Contact Resistance :
 - 30m Ohms Max. for VBUS and GND Contacts.
 - 50m Ohms Max. for Other Contacts.
 - Insulation Resistance : 1,000M Ohms Min.
 - Withstanding Voltage : 100V AC, 1 Minute.
 - Operating Temperature : -55°C ~ 85°C.
- Mechanical :
 - Insertion Force : 35N Max.
 - Withdrawal Force : 10N Min.
- Parts all meet RoHS Compliant.



PCB LAYOUT(TOP VIEW)

THIS DRAWING IS A CONTROLLED DOCUMENT.
DO NOT SCALE DRAWING.

DIMENSIONS: MM TOLERANCES UNLESS OTHERWISE SPECIFIED:

THIRD ANGLE PROJECTION MATERIAL SEE NOTES FINISH SEE NOTES

DWN T. LI DATE OCT-20-2020
CHK D. Wang OCT-20-2020
APVD R. Tsai OCT-21-2020



TITLE USB 3.0 AF, D. Port, Dip Type.

SIZE A3 DRAWING NO XUSB-30AFRDGDD1-R
WEIGHT - GRAMS Ref. REV A SHEET 1

REVISIONS	DESCRIPTION	DATE	APVD
△ -			