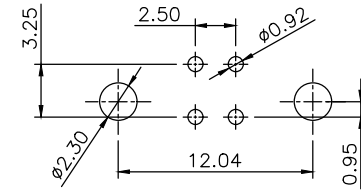
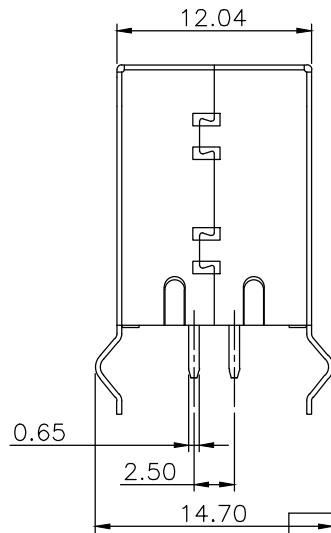
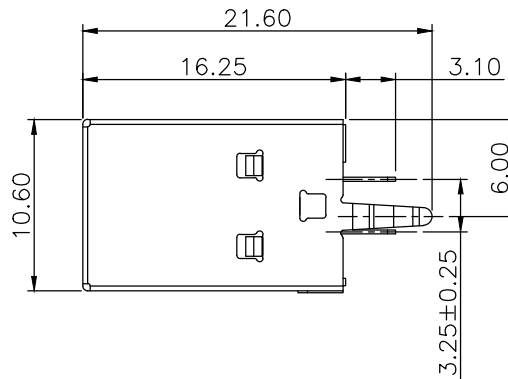
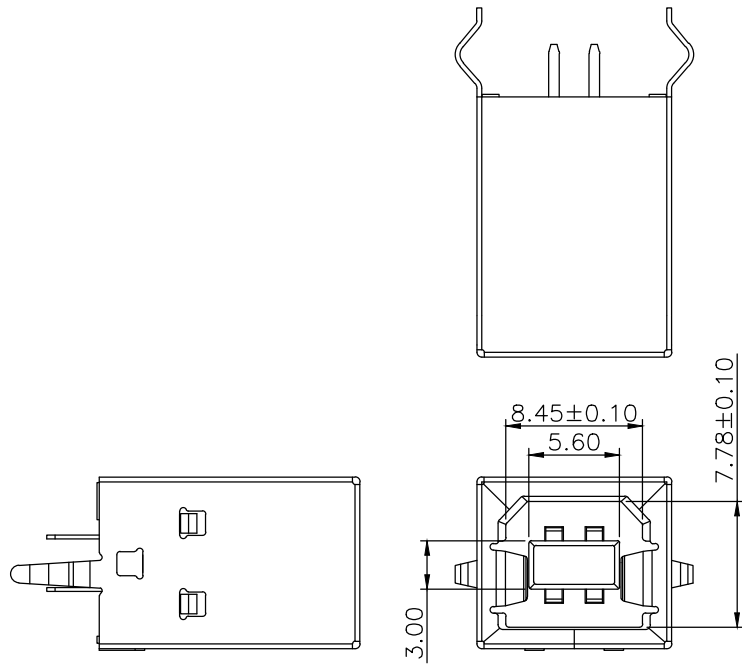


RoHS Compliance



RECOMMENDED PCB LAYOUT

TOL.: ±0.05

Specifications:

1. Current Rating : 1.0A at 30V AC.
2. Withstanding Voltage : 500V AC for one minute.
3. Insulation Resistance : 1,000MΩ Min.
4. Contact Resistance : 30mΩ Max.
5. Insertion Force : 3.57kgf Max.
6. Withdrawal Force : 1.02kgf Min.
7. All Parts Meet RoHS Compliant.

THIS DRAWING IS A CONTROLLED DOCUMENT.
DO NOT SCALE DRAWING.

DIMENSIONS: MM TOLERANCES UNLESS OTHERWISE SPECIFIED:

THIRD ANGLE PROJECTION

MATERIAL: SEE NOTES FINISH: SEE NOTES

DWN: T. LI DATE: JUN-015-2018
CHK: D. Wang DATE: JUN-015-2018
APVD: R. Tsai DATE: JUN-016-2018



TITLE: 2.0 USB BF Vertical Type

REVISIONS	DESCRIPTION	DATE	APVD
△ -			
LTR			

SIZE: A3	DRAWING NO: XUSB-20BFVDGDS1-R
WEIGHT: - GRAMS Ref.	REV: A SHEET: 1