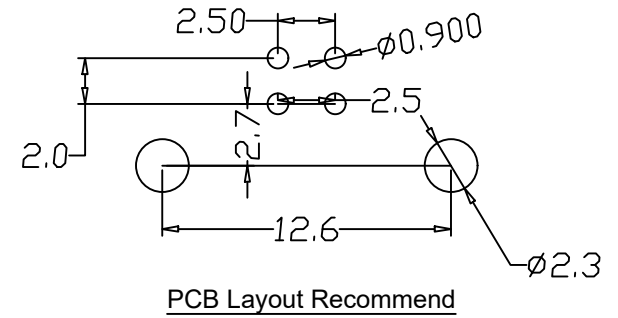
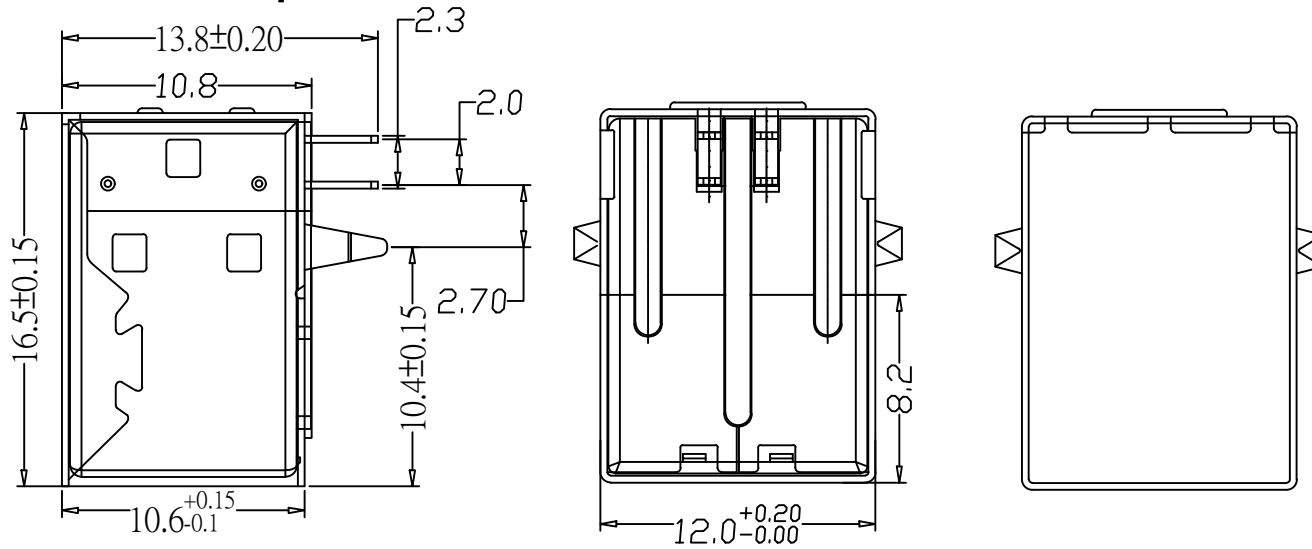


RoHS Compliance



Note:

1. Material :

- 1) Plastic : PBT, White, Meet UL94V-0
- 2) Shell : SPCC, Ni Plating.
- 3) Terminal : Phosphor Bronze(C5191), Contact Area G/F Plating, Solder Tail Sn Plating.

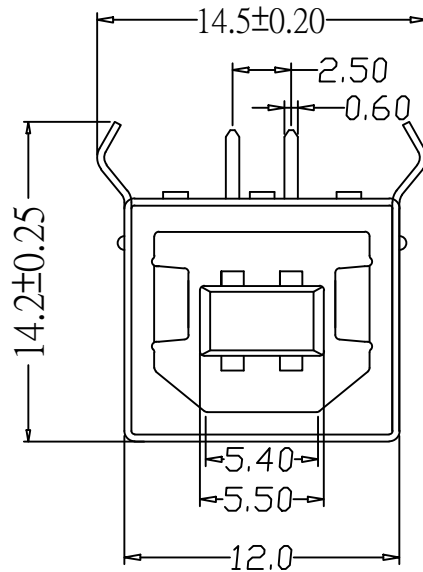
2. Electrical :

- 1) Current Rating : 1.0A 30V AC.
- 2) Insolation Resistance : 1,000M Ω Min.
- 3) Contact Resistance : 30m Ω Max.
- 4) Withstanding Voltage : 500V AC.

3. Mechanical :

- 1) Insertion Force : 3.57 kgf Max.
- 2) Withdrawal Force : 1.02 kgf Min.

4. Parts meet RoHS compliant.



THIS DRAWING IS A CONTROLLED DOCUMENT.
DO NOT SCALE DRAWING.

DIMENSIONS: MM TOLERANCES UNLESS OTHERWISE SPECIFIED:

THIRD ANGLE PROJECTION

MATERIAL: SEE NOTES FINISH: SEE NOTES

DWN: T. LI DATE: OCT-04-2018

CHK: D. Wang OCT-04-2018

APVD: R. Tsai OCT-04-2018



TITLE: USB BF, Single, R/A, Dip Type.

REVISIONS	DESCRIPTION	DATE	APVD
△	Revised Appearance meet Product	2020/MAY/22	R. Tsai

SIZE: A3	DRAWING NO: XUSB-20BFRDGDSD1-R
WEIGHT: - GRAMS Ref.	REV: B SHEET: 1