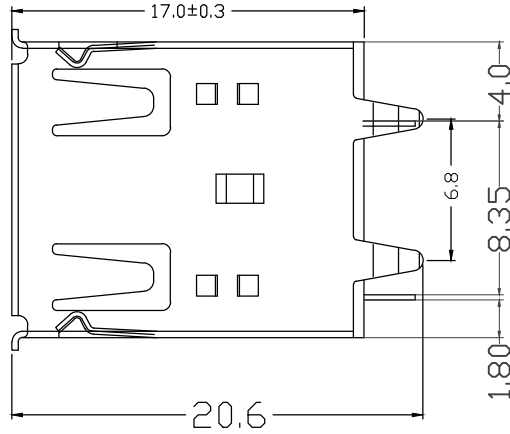
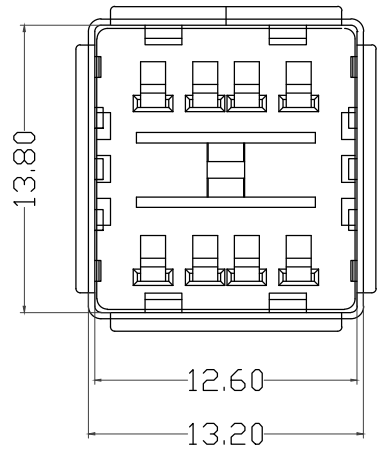


RoHS Compliance



Specifications :

1. Electrical :

- 1-1. Current Rating: 2.1A / Contact Terminal.
- 1-2. Voltage Rating: 30V DC
- 1-3. Contact Resistance: 30m Ohms Max.
- 1-4. Dielectric Withstanding Voltage: 500V AC.
- 1-5. Insulation Resistance: 1,000M Ohms Min.

2. Mechanical:

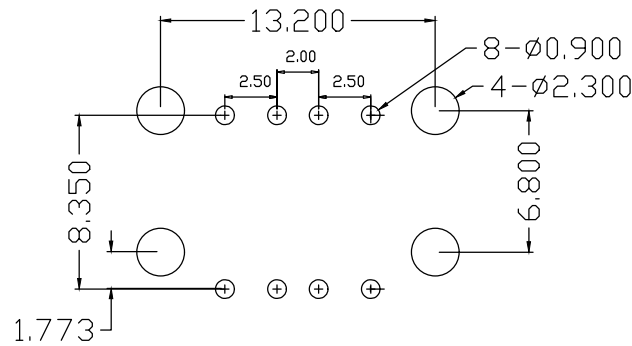
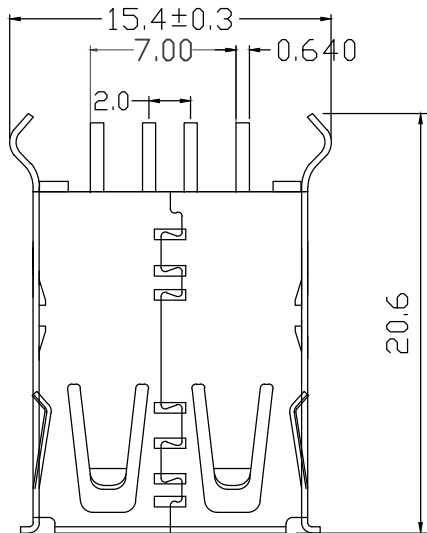
- 2-1. Insertion Force : 3.57kgf Max.
- 2-2. Withdrawal Force : 1.02kgf Min.
- 2-3. Terminal Retention Force : 1.2kgf Min.

3. Material:

- 3-1. Housing: High Temp. Thermoplastic PBT, White.
- 3-2. Terminal: Copper Alloy C2680
- 3-3. Shell: SPCC

4. Finish:

- 4-1. Terminal: Nickel Plating All Over, Contact Area G/F Plated, Tin Plated On Solder Tails.
- 4-2. Shell: Nickel Plating.



RECOMMENDED P.C.B PATTERN LAYOUT

THIS DRAWING IS A CONTROLLED DOCUMENT.
DO NOT SCALE DRAWING.

DIMENSIONS: MM TOLERANCES UNLESS OTHERWISE SPECIFIED:

THIRD ANGLE PROJECTION

MATERIAL: SEE NOTES FINISH: SEE NOTES



TITLE: USB 2.0, AF, Vertical, 2 Ports, H17.0mm.

REVISIONS	DESCRIPTION	DATE	APVD
△ -		-	-

DWN	T. LI	DATE	JUL-06-2018
CHK	D. Wang		JUL-06-2018
APVD	R. Tsai		JUL-07-2018

SIZE	DRAWING NO	WEIGHT	REV	SHEET
A3	XUSB-20AFVDGDD1-R	- GRAMS Ref.	A	1