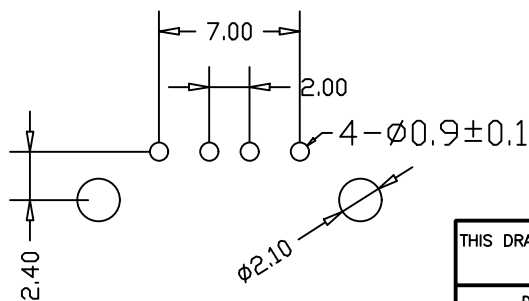
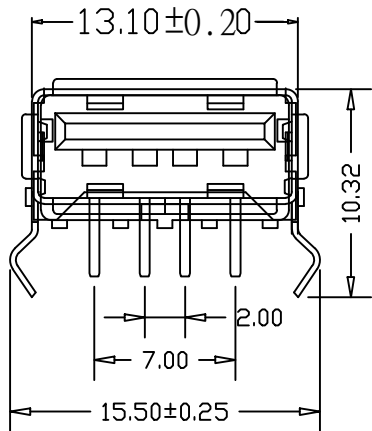
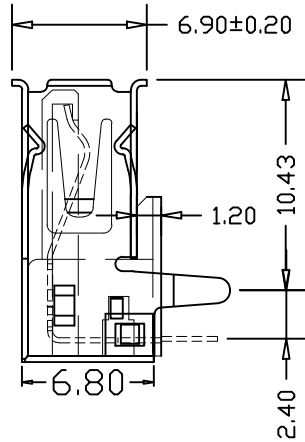
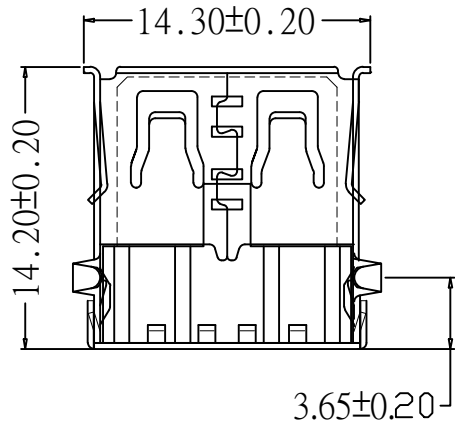


# RoHS Compliance



## Specifications:

### 1. Electrical:

- 1-1. Current Rating: 1.5A Per Contact Terminal.
- 1-2. Voltage Rating : 30V DC.
- 1-3. Contact Resistance : 30m Ohms Max.
- 1-4. Dielectric Withstanding Voltage : 500V AC.
- 1-5. Insulation Resistance : 1,000M Ohms Min..

### 2. Mechanical:

- 2-1. Insertion Force : 3.57Kfg Max.
- 2-2. Withdrawal Force : 1.02Kfg Min.
- 2-3. Terminal Retention : 1.0Kgf Min.
- 2-4. Durability : 5,000 cycle Min.

### 3. Material:

- 3-1. Housing : High Temp. Thermoplastics, PBT Black.
- 3-2. Terminal : Copper Alloy C2680
- 3-3. Shell : Copper Alloy.

### 4. Finish:

- 4-1. Terminal : Nickel Plating All Over, Contact Area G/F Plated, Tin Plating On Solder Tails.
- 4-2. Shell : 80u" Nickel Plating.

THIS DRAWING IS A CONTROLLED DOCUMENT.  
DO NOT SCALE DRAWING.

DIMENSIONS: MM TOLERANCES UNLESS OTHERWISE SPECIFIED:

THIRD ANGLE PROJECTION

MATERIAL SEE NOTES FINISH SEE NOTES

DWN T. LI DATE JUL-16-2018

CHK D. Wang JUL-17-2018

APVD R. Tsai JUL-17-2018



TITLE USB 2.0, A Type, Female, R/A, Dip Type.

SIZE A3 DRAWING NO XUSB-20AFRDGDS1-R

WEIGHT - GRAMS Ref. REV A SHEET 1

REVISIONS	DESCRIPTION	DATE	APVD
△ -			
LTR			