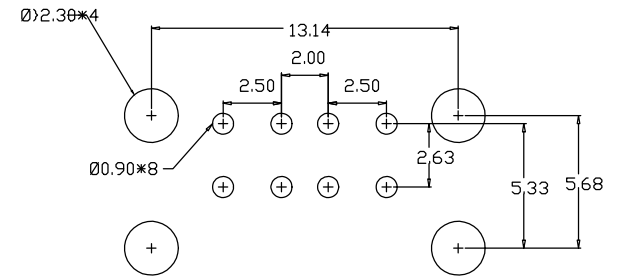
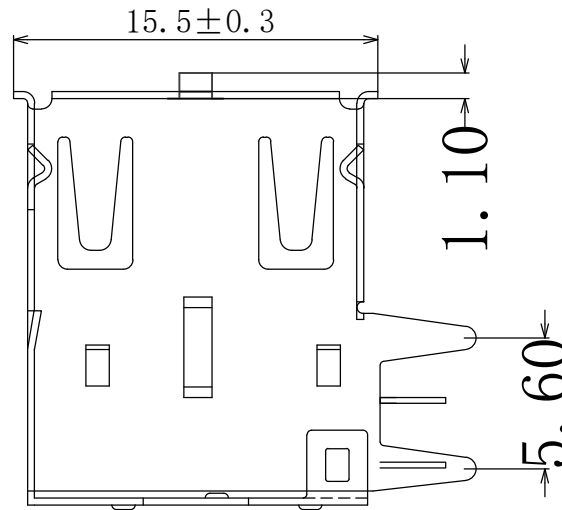
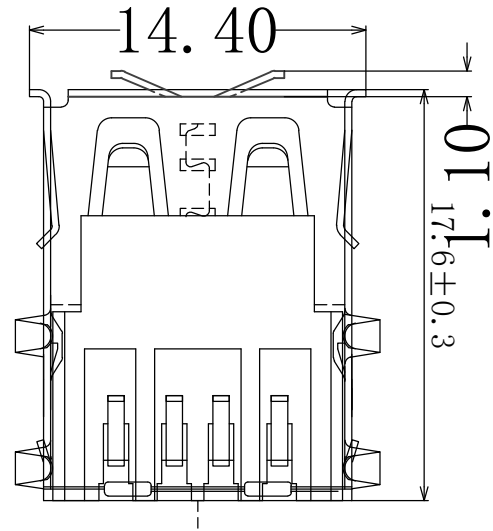
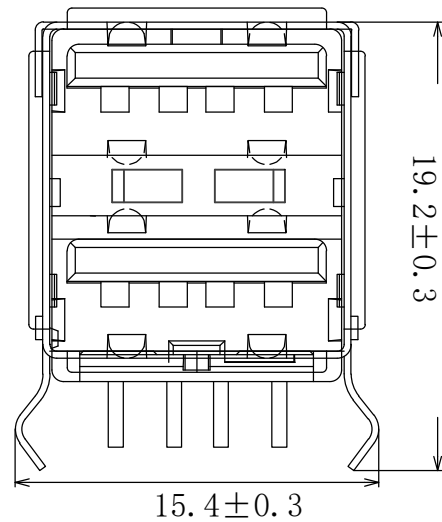


# RoHS Compliance



RECOMMENDED P.C.B LAYOUT



NOTE :

1. MATERIAL :
  - a. HOUSING : PBT G.F. 94V-0, PBT
  - b. CONTACT : PHOSPHOR BRONZE, T=0.25mm  
(SURFACE PLATING : Au.1u"+Sn.100u"+Ni.60u")
  - c. SHELL : SPCC.  
(SURFACE PLATING : Ni.100u"~120u")
2. ELECTRICAL :
  - a. CURRENT/VOLTAGE RATING : 1.8A / 30V AC.
  - b. CONTACT RESISTANCE : 30m OHMS MAX.
  - c. INSULATION RESISTANCE : 1,000M OHMS MIN.
  - d. DIELECTRIC WITHSTANDING VOLTAGE : 500V AC.
  - e. OPERATING TEMPERATURE : -40°C ~ 85°C

THIS DRAWING IS A CONTROLLED DOCUMENT.  
DO NOT SCALE DRAWING.

DIMENSIONS: MM TOLERANCES UNLESS OTHERWISE SPECIFIED:

|        |        |
|--------|--------|
| X      | ± 0.3  |
| X.X    | ± 0.2  |
| X.XX   | ± 0.1  |
| X.XXX  | ± 0.05 |
| ANGLES | ± -    |

THIRD ANGLE PROJECTION MATERIAL SEE NOTES FINISH SEE NOTES



TITLE  
**USB AF Double Layer, Dip**

| REVISIONS | DESCRIPTION | DATE | APVD |
|-----------|-------------|------|------|
| △ -       |             | -    | -    |
| LTR       |             |      |      |

|      |         |      |             |
|------|---------|------|-------------|
| DWN  | T. LI   | DATE | OCT-23-2019 |
| CHK  | D. Wang |      | OCT-23-2019 |
| APVD | R. Tsai |      | OCT-23-2019 |

|      |                 |              |     |       |
|------|-----------------|--------------|-----|-------|
| SIZE | DRAWING NO      | WEIGHT       | REV | SHEET |
| A3   | XUSB-20AFRDGDD1 | - GRAMS Ref. | A   | 1     |