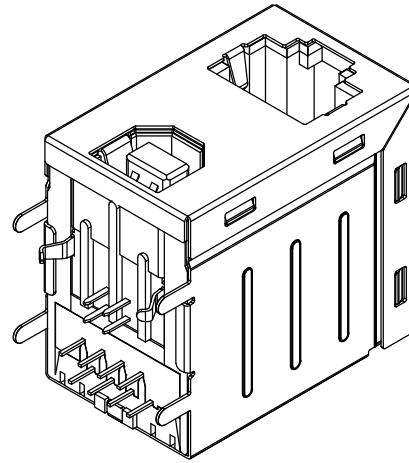
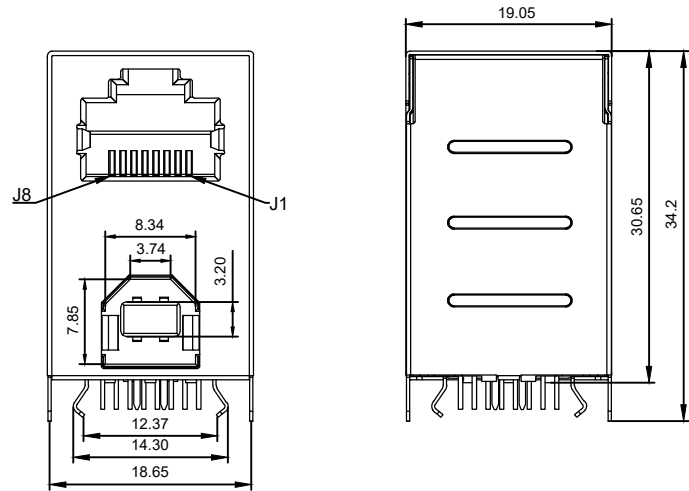
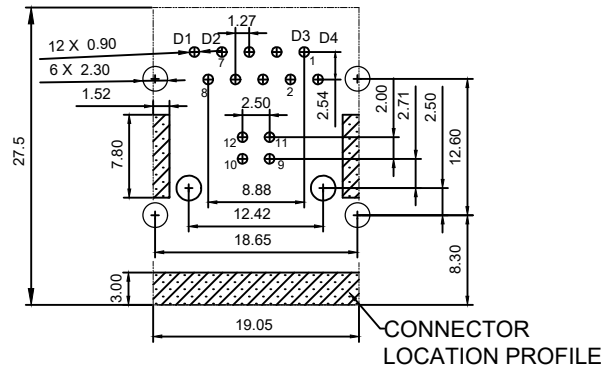
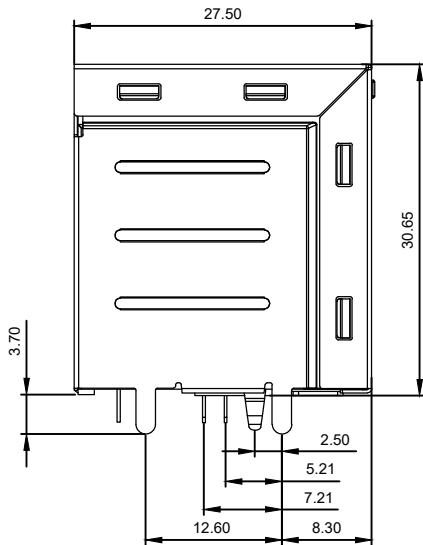


RoHS Compliance



NOTE:

1. Material :
 - 1-1. Housing : High Temp., Thermo. Plastics, PBT , BK, UL 94V-0.
 - 1-2. Contact : Copper Alloy
Contact : Tin Plating 100u" on solder tail area, RJ45 Gold plating 1u" on contact area, USB Gold plating 1u" on contact area. 30u" Min. Nickel under plating over all.
 - 1-3. Front Shell : SPCC, T=0.25mm.
 - 1-4. Back Cover : SPCC, T=0.25mm.
2. Electrical Performance :
 - 2-1. Voltage Current Rating : 1.5 AMP, 30V AC.
 - 2-2. Insulation Resistance : 1,000M Ω Min.
 - 2-3. Contact Resistance : 30 m Ω Max.
 - 2-4. Dielectric Withstanding Voltage : 500V AC.
3. Temperature Range : -45 $^{\circ}$ C to +85 $^{\circ}$ C.
4. All Parts Meet RoHS Compliant.



RECOMMENDED P.C.B. PATTERN LAYOUT
COMPONENT SIDE SHOWN

THIS DRAWING IS A CONTROLLED DOCUMENT. DO NOT SCALE DRAWING.	
DIMENSIONS: MM	TOLERANCES UNLESS OTHERWISE SPECIFIED:
	X ± 0.3 X.X ± 0.2 X.XX ± 0.1 X.XXX ± 0.05 ANGLES $\pm 5.0^{\circ}$
THIRD ANGLE PROJECTION	
MATERIAL SEE NOTES	FINISH SEE NOTES
DWN T. LI	DATE OCT-04-2020
CHK D. Wang	OCT-04-2020
APVD R. Tsai	OCT-05-2020



TITLE
RJ45+USB 2.0 BF,
Combo., Dip.

REVISIONS	DESCRIPTION	DATE	APVD
△ -			

SIZE A3	DRAWING NO XMB-RJ45U2BFSD0N-01
WEIGHT - GRAMS Ref.	REV A
	SHEET 1