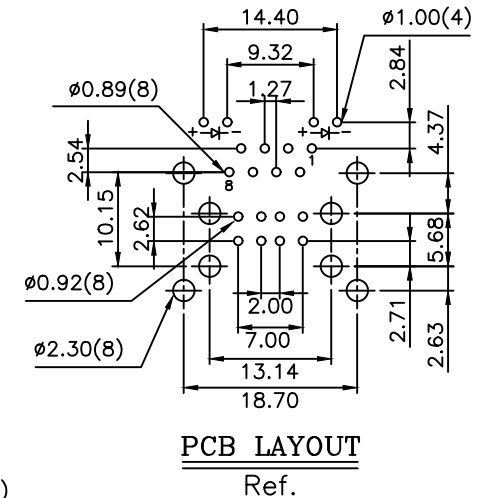
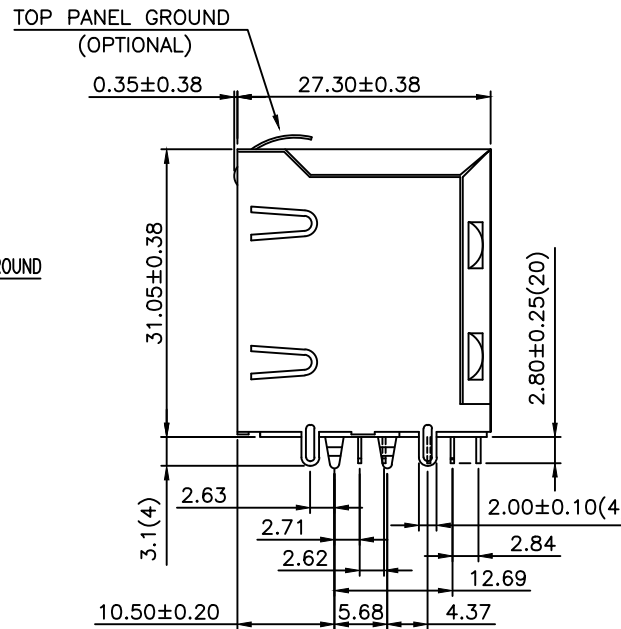
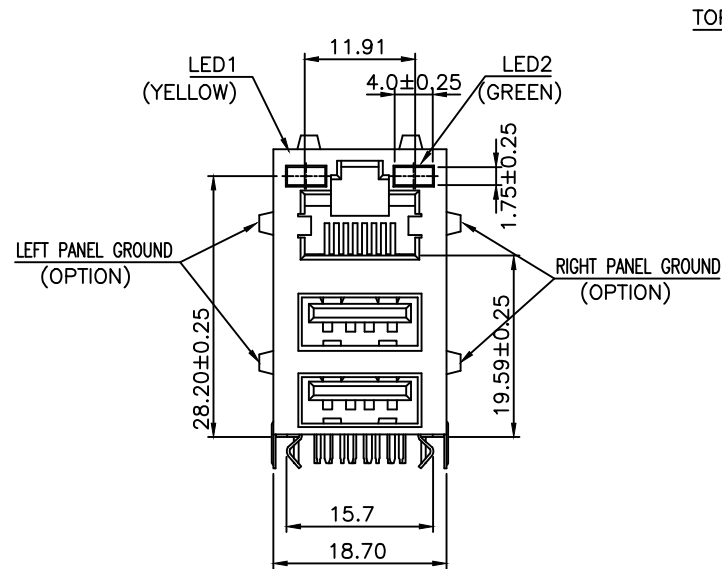
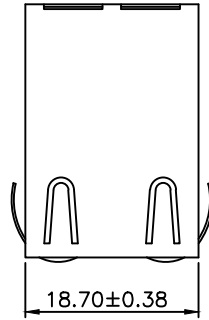


RoHS Compliance

- MATERIAL:
- HOUSING—PBT POLYESTER UL94V-0
MIXED FIBER GLASS.
STANDARD COLOR—BLACK.
 - CONTACTS—0.35mm THICK PHOS-BRONZE PLATED
WITH HARD GOLD AND GOLD FLASH IN
SOLDER AREA.
 - SHIELD—0.20mm THICK COPPER ALLOY,
PLATED WITH NICKEL.
- CAVITY CONFIRMS TO FCC RULES AND REGULATIONS
PART 68,SUBPART F.



THIS DRAWING IS A CONTROLLED DOCUMENT.
DO NOT SCALE DRAWING.

DIMENSIONS: MM	TOLERANCES UNLESS OTHERWISE SPECIFIED:
	X ± -
	X.X ± 0.25
	X.XX ± 0.13
	X.XXX ± 0.05
	ANGLES ± -



TITLE 2X1PORT, RJ45+USB,
SHIELD, WITH LED, WITHOUT TRANSFORMER,
RECEPTACLE CONNECTOR

REVISIONS	DESCRIPTION	DATE	APVD
△ -			
LTR			

MATERIAL	SEE NOTES	FINISH	SEE NOTES
DWN	T. LI	DATE	NOV-28-2020
CHK	D. Wang		NOV-28-2020
APVD	R. Tsai		NOV-28-2020

SIZE	DRAWING NO	WEIGHT	REV	SHEET
A3	XMB-9711-8814-S3L2-E-A	- GRAMS Ref.	3	1