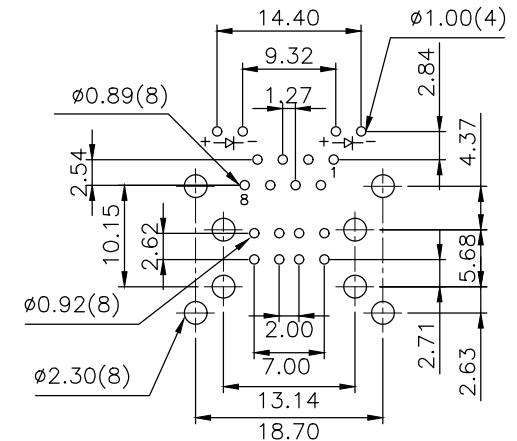
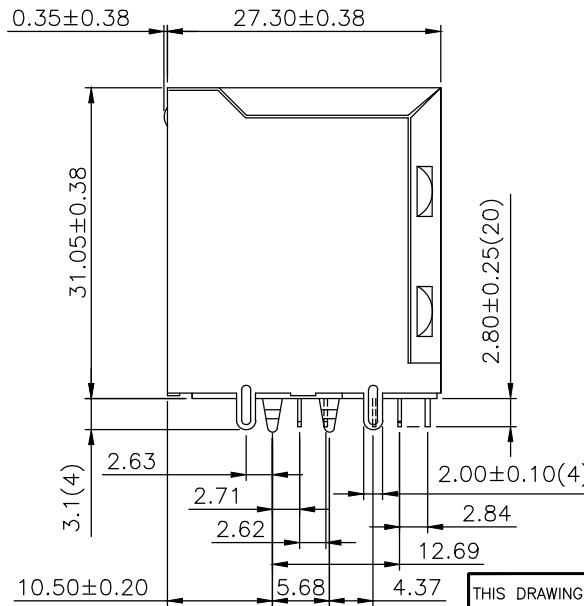
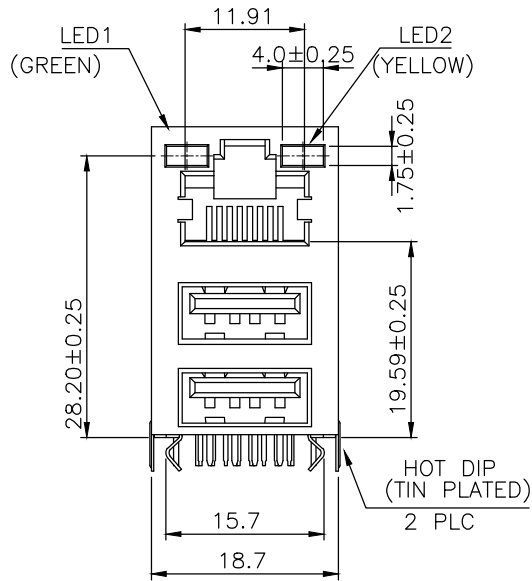
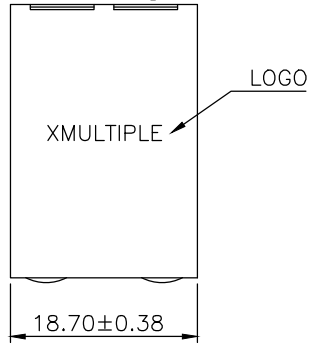


RoHS Compliance

MATERIAL:

- HOUSING—PBT POLYESTER UL94V-0 MIXED FIBER GLASS. STANDARD COLOR—BLACK.
- CONTACTS—0.35mm THICK PHOS—BRONZE PLATED WITH 6u" HARD GOLD AND GOLD FLASH IN SOLDER AREA.
- SHIELD—0.20mm THICK COPPER ALLOY, PLATED WITH NICKEL.

CAVITY CONFIRMS TO FCC RULES AND REGULATIONS PART 68,SUBPART F.



PCB LAYOUT
Ref.

THIS DRAWING IS A CONTROLLED DOCUMENT.
DO NOT SCALE DRAWING.

DIMENSIONS: MM TOLERANCES UNLESS OTHERWISE SPECIFIED:

THIRD ANGLE PROJECTION

MATERIAL: SEE NOTES FINISH: SEE NOTES

DWN: T. LI DATE: NOV-12-2018
CHK: D. Wang DATE: NOV-12-2018
APVD: R. Tsai DATE: NOV-13-2018



TITLE: 2X1PORT, RJ45+USB, SHIELD, WITH LED, WITHOUT TRANSFORMER, RECEPTACLE CONNECTOR

SIZE: A3 DRAWING NO: XMB-9711-8814-SOL1-L
WEIGHT: - GRAMS Ref. REV: 1 SHEET: 1

REVISIONS	DESCRIPTION	DATE	APVD
△ -			