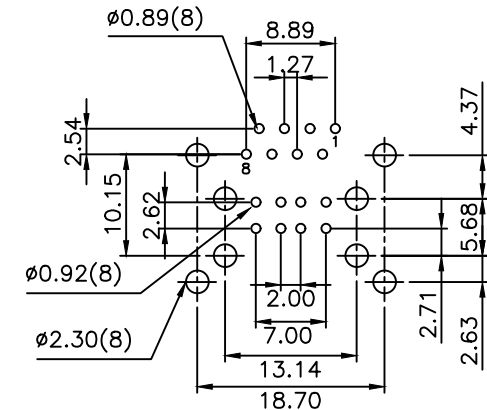
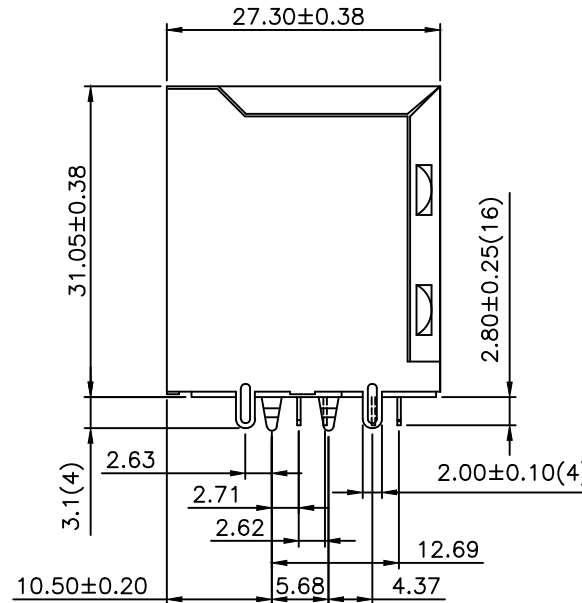
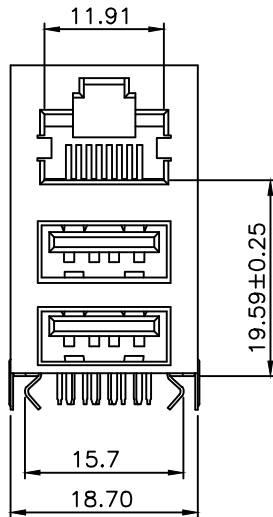
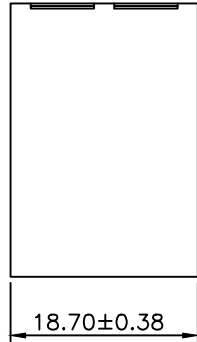


RoHS Compliance

MATERIAL:

- HOUSING—DSM STANYL TE250F6 (NYLON-46)
HEAT DEFLECTION TEMP.290°
BLACK COLOR, UL94V-0.
 - CONTACTS—0.35mm THICK PHOS-BRONZE PLATED
WITH HARD GOLD AND GOLD FLASH IN
SOLDER AREA.
 - SHIELD—0.20mm THICK COPPER ALLOY,
PLATED WITH NICKEL.
- CAVITY CONFIRMS TO FCC RULES AND REGULATIONS
PART 68,SUBPART F.



PCB LAYOUT
Ref.

THIS DRAWING IS A CONTROLLED DOCUMENT.
DO NOT SCALE DRAWING.

DIMENSIONS: MM TOLERANCES UNLESS OTHERWISE SPECIFIED:

THIRD ANGLE PROJECTION

MATERIAL: SEE NOTES FINISH: SEE NOTES

DWN: T. LI DATE: FEB-20-2018
CHK: D. Wang DATE: FEB-20-2018
APVD: R. Tsai DATE: FEB-21-2018



TITLE: 2X1PORT, RJ45+USB,SHIELD,
WITHOUT LED, WITHOUT TRANSFORMER,
RECEPTACLE CONNECTOR

REVISIONS	DESCRIPTION	DATE	APVD
△ -			

SIZE: A3	DRAWING NO: XMB-9711-8814-S0-Y-LFG
WEIGHT: - GRAMS Ref.	REV: 1 SHEET: 1