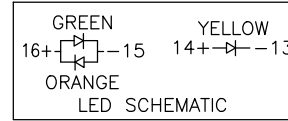
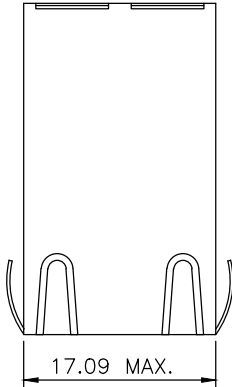
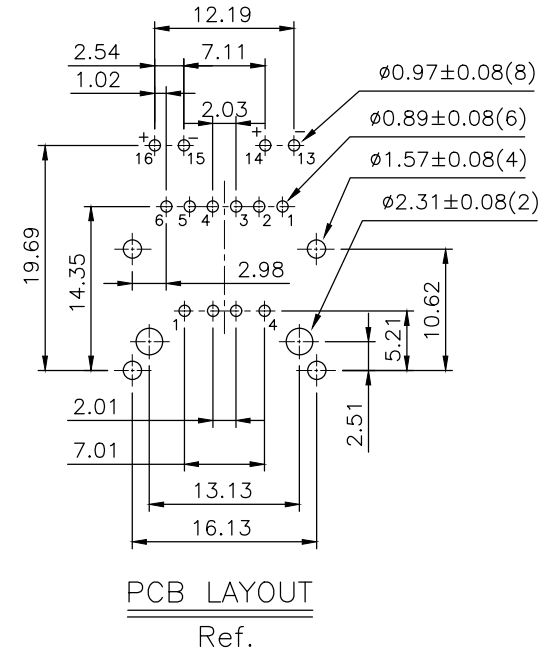
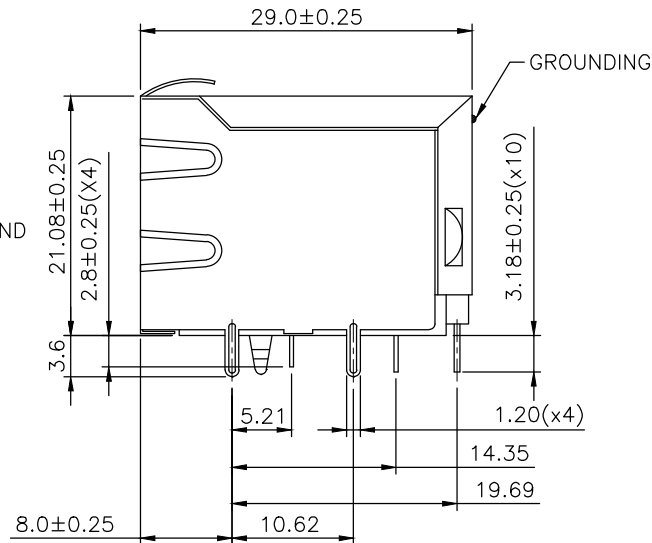
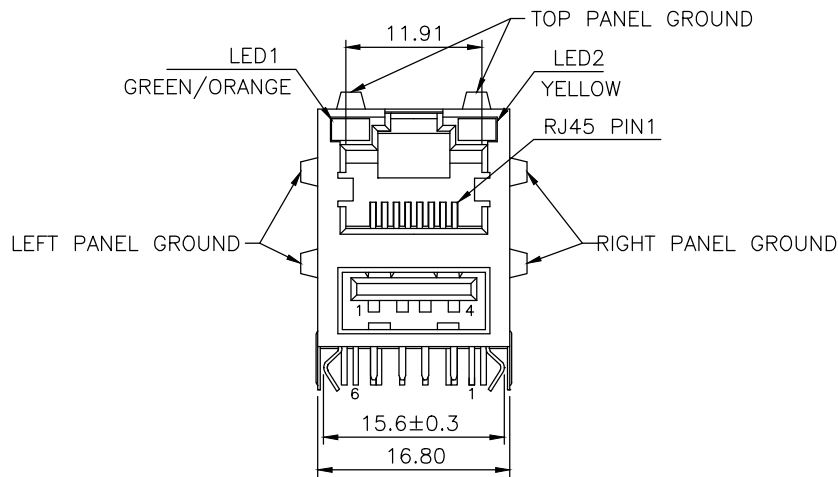


RoHS Compliance



MATERIAL:
 . HOUSING-PBT POLYESTER UL94V-0
 MIXED GLASS FIBER.
 STANDARD COLOR-BLACK.
 . CONTACTS-0.35mm THICK PHOS-BRONZE PLATED
 WITH 15u" HARD GOLD AND GOLD FLASH IN
 SOLDER AREA.
 . SHIELD-0.2mm THICK COPPER ALLOY,
 PLATED WITH NICKEL.
 CAVITY CONFIRMS TO FCC RULES AND REGULATIONS
 PART 68,SUBPART F.



THIS DRAWING IS A CONTROLLED DOCUMENT.
 DO NOT SCALE DRAWING.

DIMENSIONS: MM	TOLERANCES UNLESS OTHERWISE SPECIFIED:
	0 PLC ± - 1 PLC ± 0.25 2 PLC ± 0.13 3 PLC ± 0.05 ANGLES ± -
MATERIAL	FINISH
SEE NOTES	SEE NOTES



TITLE RJ45, & USB, WITH LED'S,
 WITH TRANSFORMER,
 RECEPTACLE CONNECTOR

REVISIONS	DESCRIPTION	DATE	APVD
△ -		-	-
LTR			

DWN	T. LI	DATE	APR-13-2016
CHK	D. Wang		APR-13-2016
APVD	R. Tsai		APR-14-2016

SIZE	DRAWING NO	WEIGHT	REV	SHEET
A3	XMB-9711-8611-S3L6T4-A	- GRAMS Ref.	2	1

RoHS Compliance

9711 TRANSFORMER TYPE 4

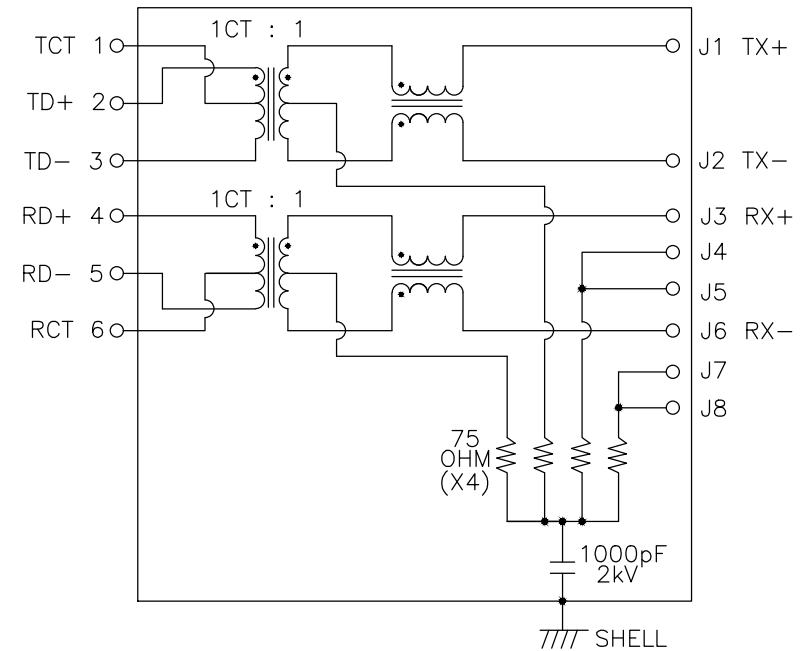
ELECTRICAL CHARACTERISTICS

Item	Parameter	Condition	Min.	Typ.	Max.	Unit	REMARK
1	Insertion loss	@1-100 MHz			-1.0	dB	
2	Return loss	@1-30 MHz	-18			dB	NOTE 1
		@30-60 MHz				dB	
		@60-80 MHz	-12			dB	
3	Crosstalk	@500kHz-100MHz	-35			dB	
4	Hipot	Vrms	1.5			kV	
5	Common to Differential Mode Rejection	@100KHz-100MHz	-40			dB	
6	Common to Common Mode Rejection	@100KHz-100MHz	-30			dB	

* NOTE 1: $-18-20 \log (f/30\text{MHz})\text{dB}$.

CONNECTOR SOLDER SIDE

RJ45 CONTACT SIDE



CONNECTOR SCHEMATIC

THIS DRAWING IS A CONTROLLED DOCUMENT. DO NOT SCALE DRAWING.	
DIMENSIONS: MM	TOLERANCES UNLESS OTHERWISE SPECIFIED:
	0 PLC ± - 1 PLC ± - 2 PLC ± - 3 PLC ± - ANGLES ± -
MATERIAL SEE NOTES	FINISH SEE NOTES
DWN <i>T. Li</i>	DATE APR-13-2016
CHK <i>D. Wang</i>	APR-13-2016
APVD <i>R. Tsai</i>	APR-14-2016



TITLE RJ45, & USB, WITH LED'S,
WITH TRANSFORMER,
RECEPTACLE CONNECTOR

REVISIONS	DESCRIPTION	DATE	APVD
△ -		-	-

SIZE A3	DRAWING NO XMB-9711-8611-S3L6T4-A
WEIGHT - GRAMS Ref.	REV 1 SHEET 2