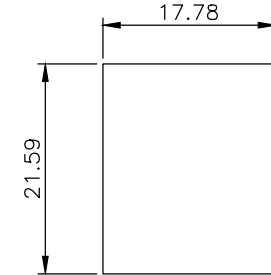
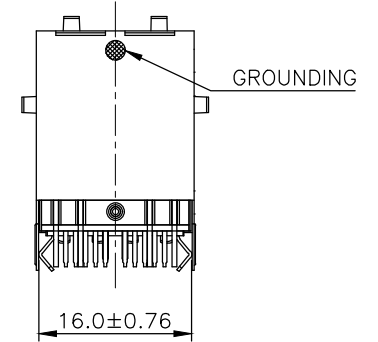
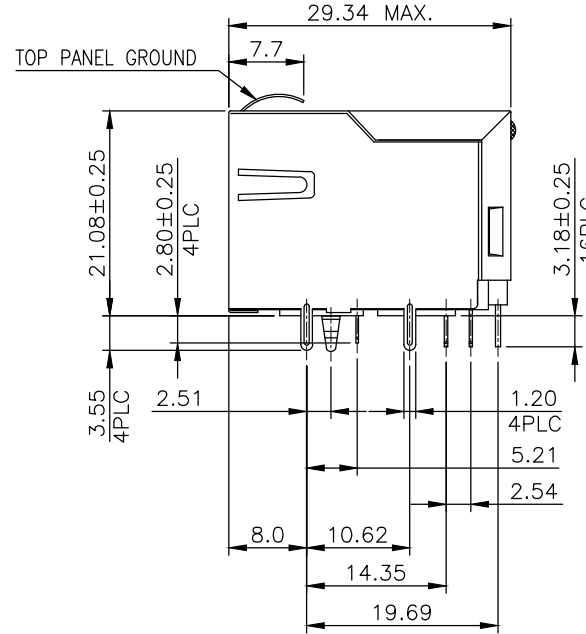
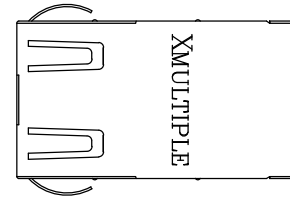
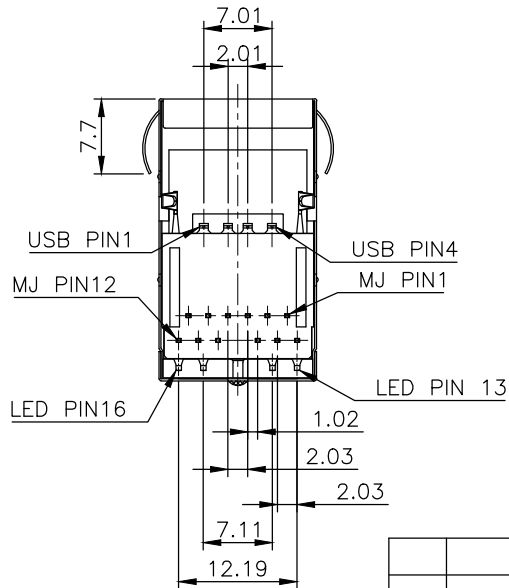
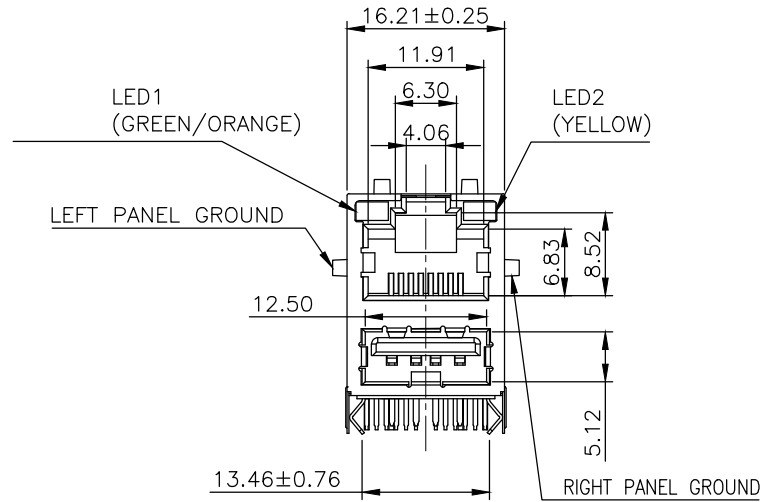
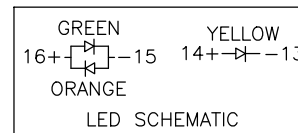


RoHS Compliance



RECOMMENDED PANEL CUTOUT



REVISIONS	DESCRIPTION	DATE	APVD
LTR			

THIS DRAWING IS A CONTROLLED DOCUMENT. DO NOT SCALE DRAWING.	
DIMENSIONS: MM	TOLERANCES UNLESS OTHERWISE SPECIFIED:
 THIRD ANGLE PROJECTION	X ± -
	X.X ± 0.25
	X.XX ± 0.20
	X.XXX ± 0.10
ANGLES ± -	
MATERIAL SEE NOTES	FINISH SEE NOTES
DWN <i>T. LI</i>	DATE APR-13-2016
CHK <i>D. Wang</i>	APR-13-2016
APVD <i>R. Tsai</i>	APR-14-2016



TITLE RJ45 & USB, WITH LED'S WITH TRANSFORMER, RECEPTACLE CONNECTOR	
SIZE A3	DRAWING NO XMB-9711-81214-S3L6T6-D
WEIGHT - GRAMS Ref.	REV 1 SHEET 1

RoHS Compliance

NOTE:

CAVITY CONFIRMS TO FCC RULES AND REGULATIONS PART 68, SUBPART F.

1. MATERIAL:

- 1.1 HOUSING: PA46, WITH GLASS FIBER,,
UL 94V-0, STANDARD COLOR-BLACK.
- 1.2 INSERT HOUSING: PBT, WITH GLASS FIBER,
UL 94V-0, STANDARD COLOR-BLACK.
- 1.3 BASE: PA46, WITH GLASS FIBER,
UL 94V-0, STANDARD COLOR-BLACK.
- 1.4 LIGHT PIPE: PC, UL 94V-2, STANDARD COLOR-TRANSPARENCY.
- 1.5 CONTACTS: PHOSPHOR BRONZE.
- 1.6 SHELL: BRASS.
- 1.7 LED SOLDER TAIL: STEEL.
- 1.8 USB MATEL TABS: BRASS.
- 1.9 USB CONTACTS: PHOSPHOR BRONZE.

2. FINISH:

- 2.1 CONTACTS: 0.152 μ m [6 μ "] GOLD PLATED ON CONTACT AREA,
2.54 μ m [100 μ "] TIN PLATED ON SOLDER TAIL,
WITH ENTIRE CONTACT UNDERPLATED
1.27 μ m [50 μ "] MIN. NICKEL
- 2.2 SHELL: 0.508 μ m [20 μ "] MIN. NICKEL PLATED.
- 2.3 LED SOLDER TAIL: 2.032 μ m [80 μ "] MIN. TIN PLATED.
- 2.4 USB MATEL TABS: 2.54 μ m [100 μ "] MIN. TIN PLATED.
- 2.5 USB CONTACTS: GOLD PLATED ON CONTACT AREA,
2.54 μ m [100 μ "] MATTE TIN PLATED ON SOLDER TAIL,
WITH ENTIRE CONTACT UNDERPLATED
1.27 μ m [50 μ "] MIN. NICKEL

3. LED1: VF (FORWARD VOLATAGE) IF=20mA GREEN 2.2V TYP.
ORANGE 2.0V TYP.

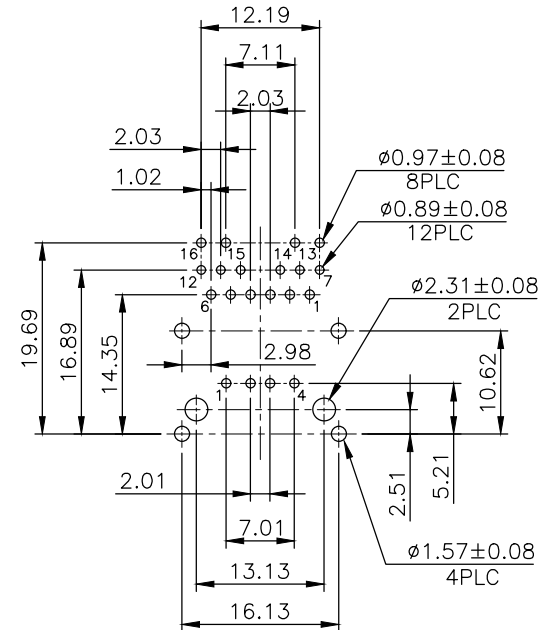
λ D (DOMINANT WAVELENGTH)IF=20mA GREEN 565nm TYP.
ORANGE 610nm TYP.

LED2: VF (FORWARD VOLATAGE) IF=20mA YELLOW 2.1V TYP.

λ D (DOMINANT WAVELENGTH)IF=20mA YELLOW 590nm TYP.

4. USB ELECTRICAL:

- 4.1 CONTACT RESISTANCE:
30M OHM MAXIMUM WHEN MEASURED AC 20MV MAXIMUM
OPEN CIRCUIT AT 100mA
- 4.2 DIELECTRIC WITHSTANDING VOLTAGE:
THE DIELECTRIC MUST WITHSTAND 500V AC MAX
WITH 1 MINUTE.
- 4.3 INSULATION RESISTANCE:
1000M OHM MINIMUM
- 4.4 CURRENT RATING:
1.5A AT 250V AC MINIMUM WHEN MEASURED
AT AN AMBIENT TEMPERATURE OF 25°C.



RECOMMENDED PCB LAYOUT
PCB THICKNESS: 1.6mm
TOLERANCE: ± 0.05 mm (TOP VIEW)

THIS DRAWING IS A CONTROLLED DOCUMENT.
DO NOT SCALE DRAWING.

DIMENSIONS: MM TOLERANCES UNLESS OTHERWISE SPECIFIED:

	X	\pm
	X.X	\pm
	X.XX	\pm
	X.XXX	\pm
	ANGLES	\pm

MATERIAL SEE NOTES FINISH SEE NOTES

DWN T. LI DATE APR-13-2016

CHK D. Wang APR-13-2016

APVD R. Tsai APR-14-2016



TITLE RJ45 & USB, WITH LED'S WITH TRANSFORMER, RECEPTACLE CONNECTOR

SIZE A3 DRAWING NO XMB-9711-81214-S3L6T6-D

WEIGHT - GRAMS Ref. REV - SHEET 2

LTR	DESCRIPTION	DATE	APVD
REVISIONS			

RoHS Compliance

9711 TRANSFORMER TYPE 6

ELECTRICAL CHARACTERISTICS

1. TURNS RATIO

TP1	1CT	: 1CT	±2%
TP2	1CT	: 1CT	±2%
TP3	1CT	: 1CT	±2%
TP4	1CT	: 1CT	±2%

2. OCL: (100KHz, 100mV, 8mA, DC Bias) =350uH MINIMUM

3. HIPOT: 1500VAC FOR 2 SECONDS

4. INSERTION LOSS:

- 0.5 dB MAXIMUM AT 1MHz TO 65MHz
- 0.8 dB MAXIMUM AT 65MHz TO 100MHz
- 1.2 dB MAXIMUM AT 100MHz TO 125MHz

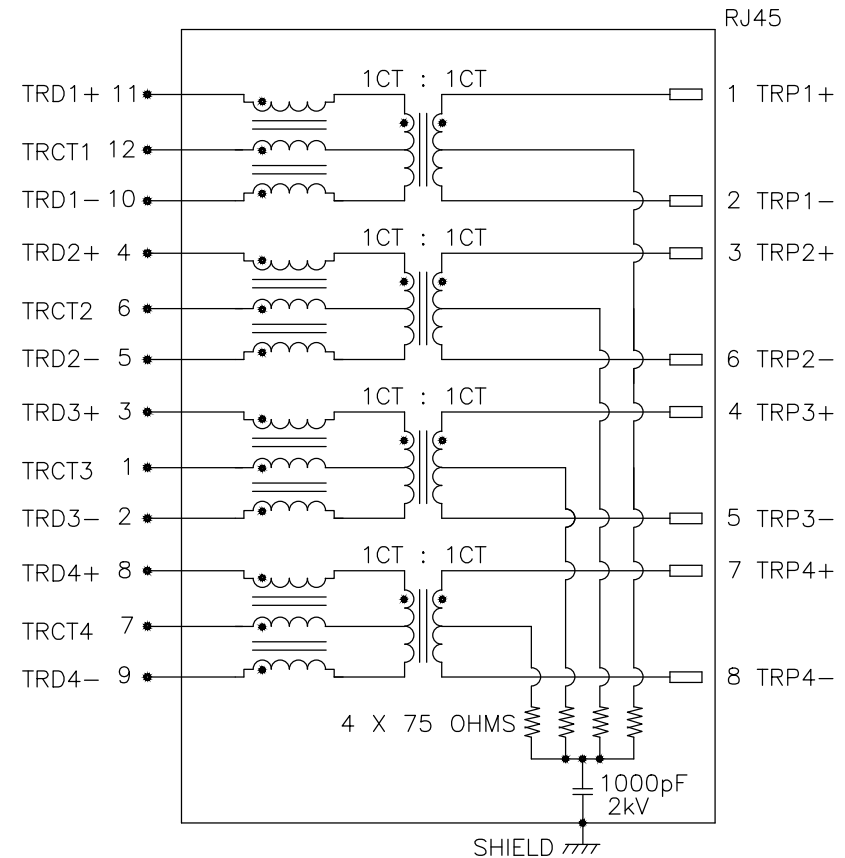
5. RETURN LOSS:

- 18dB MINIMUM AT 1MHz TO 40MHz
- 12+20LOG(f/80MHz)dB MINIMUM AT 40MHz TO 100MHz

6. CROSS TALK: -33+20LOG(f/100MHz)dB MINIMUM AT 100KHz TO 100MHz

7. COMMON TO COMMON MODE REJECTION -30dB MINIMUM AT 100KHz TO 100MHz

8. COMMON TO DIFFERENTIAL MODE REJECTION -30dB MINIMUM AT 100KHz TO 100MHz



THIS DRAWING IS A CONTROLLED DOCUMENT.
DO NOT SCALE DRAWING.

DIMENSIONS: MM TOLERANCES UNLESS OTHERWISE SPECIFIED:

THIRD ANGLE PROJECTION

X	±
X.X	±
X.XX	±
X.XXX	±
ANGLES	±

MATERIAL SEE NOTES FINISH SEE NOTES

DWN	T. LI	DATE	APR-13-2016
CHK	D. Wang	DATE	APR-13-2016
APVD	R. Tsai	DATE	APR-14-2016



TITLE RJ45 & USB, WITH LED'S WITH TRANSFORMER, RECEPTACLE CONNECTOR

SIZE	DRAWING NO
A3	XMB-9711-81214-S3L6T6-D
WEIGHT	- GRAMS Ref.
REV	- SHEET 3

REVISIONS	DESCRIPTION	DATE	APVD
△ -			