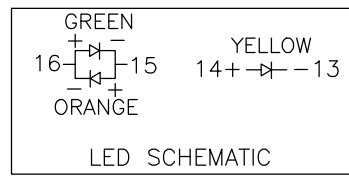
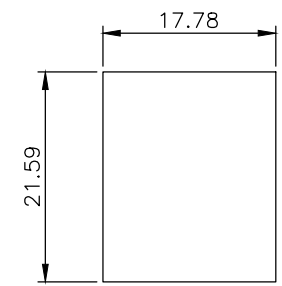
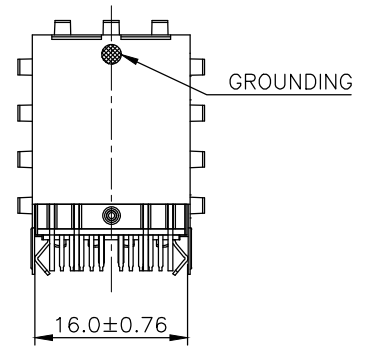
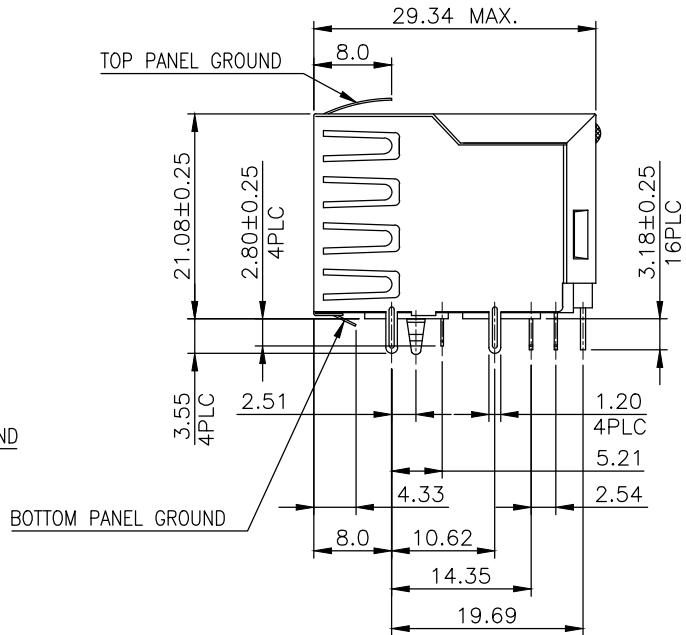
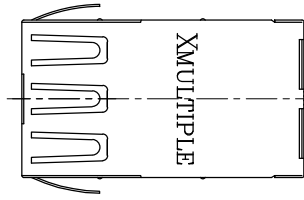
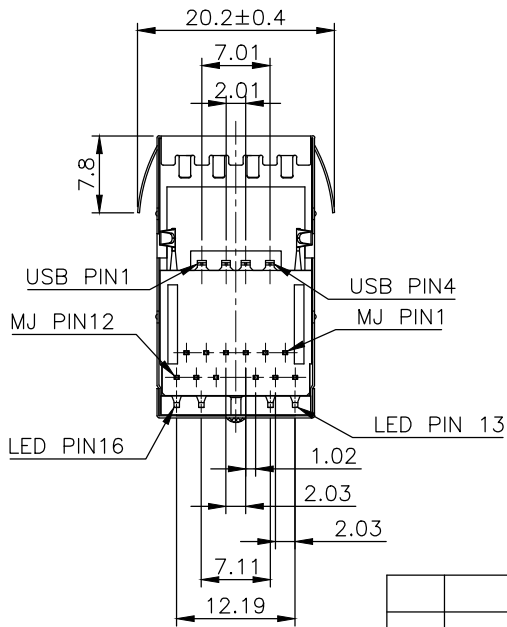
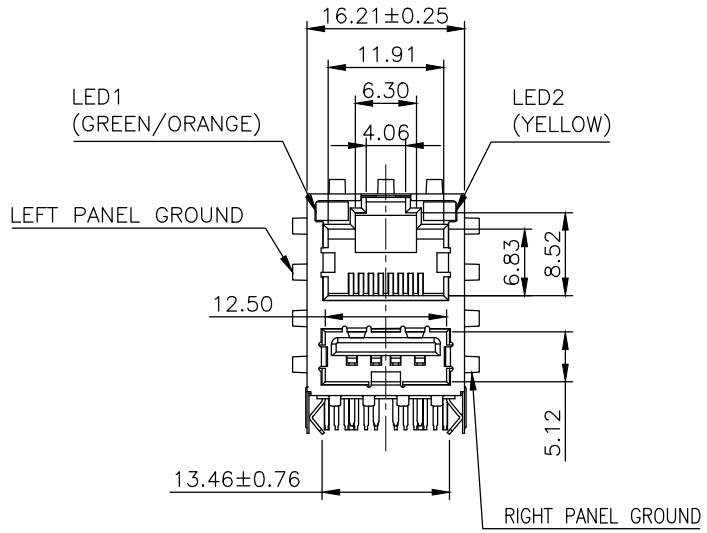


RoHS Compliance



RECOMMENDED PANEL CUTOUT

THIS DRAWING IS A CONTROLLED DOCUMENT. DO NOT SCALE DRAWING.	
DIMENSIONS: MM	TOLERANCES UNLESS OTHERWISE SPECIFIED:
	0 PLC ± - 1 PLC ± 0.25 2 PLC ± 0.13 3 PLC ± 0.05 ANGLES ± -
MATERIAL SEE NOTES	FINISH SEE NOTES
DWN <i>T. LI</i>	DATE OCT-04-2018
CHK <i>D. Wang</i>	OCT-04-2018
APVD <i>R. Tsai</i>	OCT-04-2018



TITLE RJ45 & USB, WITH LED'S
WITH TRANSFORMER,
RECEPTACLE CONNECTOR

REVISIONS	DESCRIPTION	DATE	APVD
△ -	-	-	-
LTR	DESCRIPTION	DATE	APVD

SIZE A3	DRAWING NO XMB-9711-81212-S4L6T6-A	WEIGHT - GRAMS Ref.	REV 1	SHEET 1
------------	---------------------------------------	------------------------	----------	------------

RoHS Compliance

NOTE:

CAVITY CONFIRMS TO FCC RULES AND REGULATIONS PART 68, SUBPART F.

1. MATERIAL:

- 1.1 HOUSING: PA46, WITH GLASS FIBER,,
UL 94V-0, STANDARD COLOR-BLACK.
- 1.2 INSERT HOUSING: PBT, WITH GLASS FIBER,
UL 94V-0, STANDARD COLOR-BLACK.
- 1.3 BASE: PA46, WITH GLASS FIBER,
UL 94V-0, STANDARD COLOR-BLACK.
- 1.4 LIGHT PIPE: PC, UL 94V-2, STANDARD COLOR-TRANSPARENCY.
- 1.5 CONTACTS: PHOSPHOR BRONZE.
- 1.6 SHELL: BRASS.
- 1.7 LED SOLDER TAIL: STEEL.
- 1.8 USB MATEL TABS: BRASS.
- 1.9 USB CONTACTS: PHOSPHOR BRONZE.

2. FINISH:

- 2.1 CONTACTS: 0.762μm [30μ"] GOLD PLATED ON CONTACT AREA,
2.54μm [100μ"] TIN PLATED ON SOLDER TAIL,
WITH ENTIRE CONTACT UNDERPLATED
1.27μm [50μ"] MIN. NICKEL
- 2.2 SHELL: 0.508μm [20μ"] MIN. NICKEL PLATED.
- 2.3 LED SOLDER TAIL: 2.54μm [100μ"] MIN. TIN PLATED.
- 2.4 USB MATEL TABS: 2.54μm [100μ"] MIN. TIN PLATED.
- 2.5 USB CONTACTS: GOLD PLATED ON CONTACT AREA,
2.54μm [100μ"] MATTE TIN PLATED ON SOLDER TAIL,
WITH ENTIRE CONTACT UNDERPLATED
1.27μm [50μ"] MIN. NICKEL

3. LED1: VF (FORWARD VOLATAGE) IF=20mA GREEN 2.2V TYP.
ORANGE 2.0V TYP.

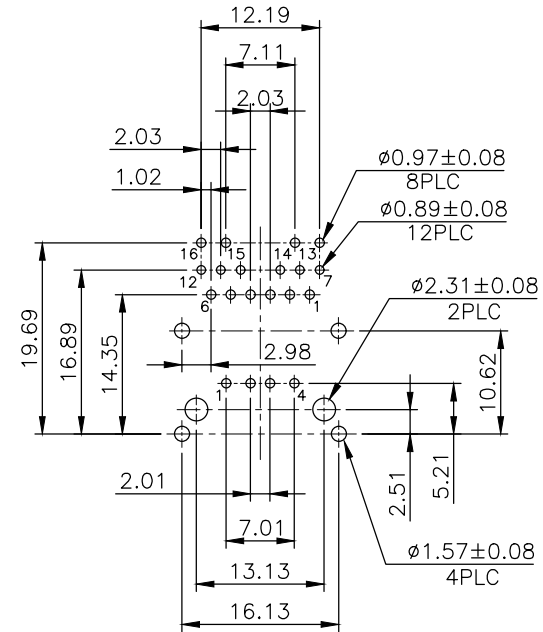
λD (DOMINANT WAVELENGTH)IF=20mA GREEN 565nm TYP.
ORANGE 610nm TYP.

LED2: VF (FORWARD VOLATAGE) IF=20mA YELLOW 2.1V TYP.

λD (DOMINANT WAVELENGTH)IF=20mA YELLOW 590nm TYP.

4. USB ELECTRICAL:

- 4.1 CONTACT RESISTANCE:
30M OHM MAXIMUM WHEN MEASURED AC 20MV MAXIMUM
OPEN CIRCUIT AT 100mA
- 4.2 DIELECTRIC WITHSTANDING VOLTAGE:
THE DIELECTRIC MUST WITHSTAND 500V AC MAX
WITH 1 MINUTE.
- 4.3 INSULATION RESISTANCE:
1000M OHM MINIMUM
- 4.4 CURRENT RATING:
1.5A AT 250V AC MINIMUM WHEN MEASURED
AT AN AMBIENT TEMPERATURE OF 25°C.



RECOMMENDED PCB LAYOUT
PCB THICKNESS: 1.6mm
TOLERANCE: ±0.05mm (TOP VIEW)

THIS DRAWING IS A CONTROLLED DOCUMENT. DO NOT SCALE DRAWING.	
DIMENSIONS: MM	TOLERANCES UNLESS OTHERWISE SPECIFIED:
	0 PLC ± - 1 PLC ± 0.25 2 PLC ± 0.13 3 PLC ± 0.05 ANGLES ± -
MATERIAL SEE NOTES	FINISH SEE NOTES
DWN <i>T. Li</i>	DATE OCT-04-2018
CHK <i>D. Wang</i>	OCT-04-2018
APVD <i>R. Tsai</i>	OCT-04-2018



TITLE RJ45 & USB, WITH LED'S
WITH TRANSFORMER,
RECEPTACLE CONNECTOR

SIZE A3	DRAWING NO XMB-9711-81212-S4L6T6-A
WEIGHT - GRAMS Ref.	REV 1 SHEET 1

REVISIONS	DESCRIPTION	DATE	APVD
△ -			
LTR			

RoHS Compliance

9711 TRANSFORMER TYPE 6

ELECTRICAL CHARACTERISTICS

1. TURNS RATIO

TP1	1CT	: 1CT	±2%
TP2	1CT	: 1CT	±2%
TP3	1CT	: 1CT	±2%
TP4	1CT	: 1CT	±2%

2. OCL: (100KHz, 100mV, 8mA, DC Bias) =350uH MINIMUM

3. HIPOT: 1500VAC FOR 2 SECONDS

4. INSERTION LOSS:

- 0.5 dB MAXIMUM AT 1MHz TO 65MHz
- 0.8 dB MAXIMUM AT 65MHz TO 100MHz
- 1.2 dB MAXIMUM AT 100MHz TO 125MHz

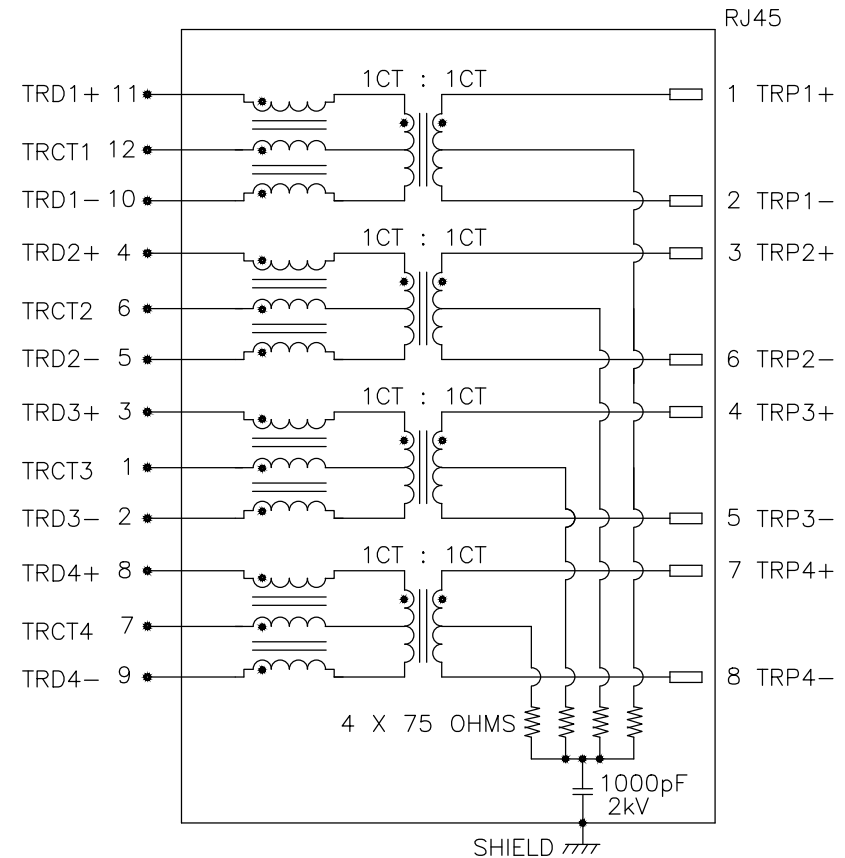
5. RETURN LOSS:

- 18dB MINIMUM AT 1MHz TO 40MHz
- 12+20LOG(f/80MHz)dB MINIMUM AT 40MHz TO 100MHz

6. CROSS TALK: -33+20LOG(f/100MHz)dB MINIMUM AT 100KHz TO 100MHz

7. COMMON TO COMMON MODE REJECTION -30dB MINIMUM AT 100KHz TO 100MHz

8. COMMON TO DIFFERENTIAL MODE REJECTION -30dB MINIMUM AT 100KHz TO 100MHz



CONNECTOR SCHEMATIC

THIS DRAWING IS A CONTROLLED DOCUMENT.
DO NOT SCALE DRAWING.

DIMENSIONS: MM	TOLERANCES UNLESS OTHERWISE SPECIFIED:
-------------------	---

THIRD ANGLE PROJECTION	0 PLC ± -
	1 PLC ± 0.25
	2 PLC ± 0.13
	3 PLC ± 0.05
	ANGLES ± -

MATERIAL	FINISH
SEE NOTES	SEE NOTES



TITLE RJ45 & USB, WITH LED'S
WITH TRANSFORMER,
RECEPTACLE CONNECTOR

REVISIONS	DESCRIPTION	DATE	APVD
△ -			
LTR			

DWN	T. LI	DATE	OCT-04-2018
CHK	D. Wang		OCT-04-2018
APVD	R. Tsai		OCT-04-2018

SIZE	DRAWING NO	WEIGHT	REV	SHEET
A3	XMB-9711-81212-S4L6T6-A	- GRAMS Ref.	1	1