

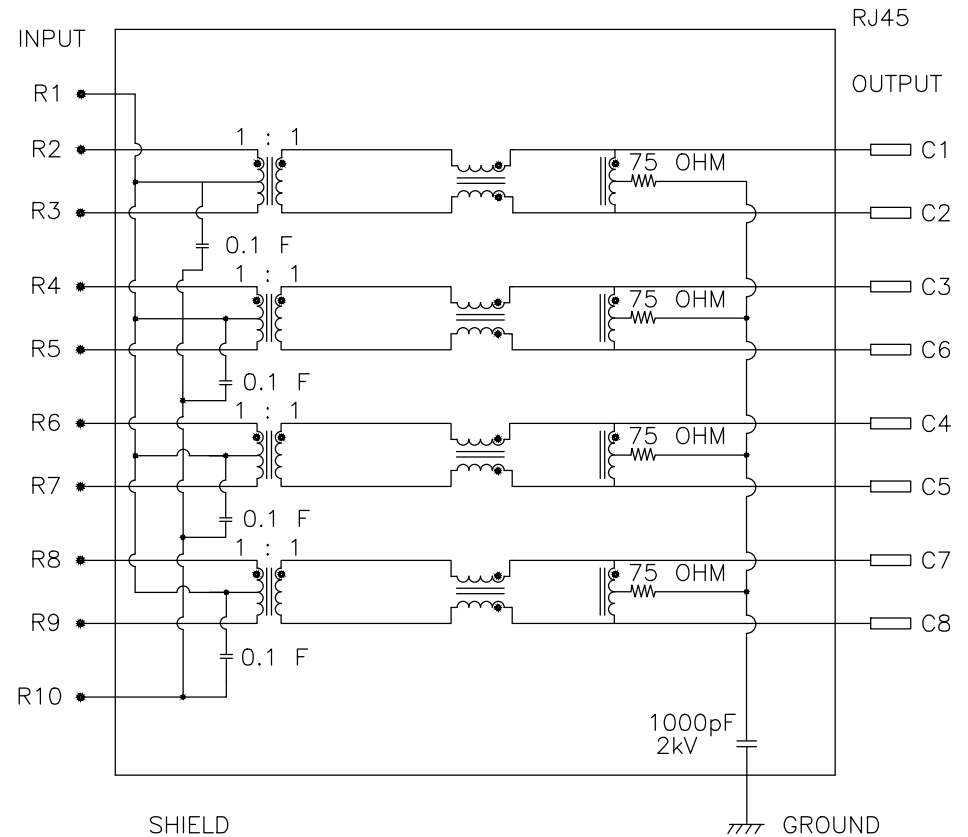
RoHS Compliance

9711 TRANSFORMER TYPE A

ELECTRICAL CHARACTERISTICS

TRANSMITTER FILTER & RECEIVER FILTER

1. TYPE:
BALANCE LOW PASS 100 OHMS IMPEDANCE
2. INSERTION LOSS:
-1.0dB MAXIMUM AT 1MHz TO 100MHz
3. RETURN LOSS:
-18dB MINIMUM AT 1MHz TO 30MHz
-16dB MINIMUM AT 30MHz TO 60MHz
-12dB MINIMUM AT 60MHz TO 80MHz
-10dB MINIMUM AT 80MHz TO 100MHz
4. COMMON MODE REJECTION:
-30dB MINIMUM AT 1MHz TO 100MHz
5. CROSS TALK:
-30dB MINIMUM AT 1MHz TO 100MHz
6. INDUCTANCE:(100KHz, 0.1V, 8mA, DC Bias)
INPUT(R2-R3),(R4-R5),(R6-R7),(R8-R9)=350uH MINIMUM



CONNECTOR SCHEMATIC

THIS DRAWING IS A CONTROLLED DOCUMENT. DO NOT SCALE DRAWING.			
DIMENSIONS: MM		TOLERANCES UNLESS OTHERWISE SPECIFIED:	
		0 PLC	±
		1 PLC	±
		2 PLC	±
		3 PLC	±
		ANGLES	±
THIRD ANGLE PROJECTION			
MATERIAL SEE NOTES		FINISH SEE NOTES	
△	-	DWN	DATE JUN-26-2012
LTR	DESCRIPTION	CHK	JUN-26-2012
REVISIONS		APVD	JUN-27-2012



TITLE
TRANSFORMER SPECIFICATION
TYPE A

SIZE	DRAWING NO
A3	XMB-9711-81012-SOL6TA-G
WEIGHT	- GRAMS Ref.
REV	- SHEET 2