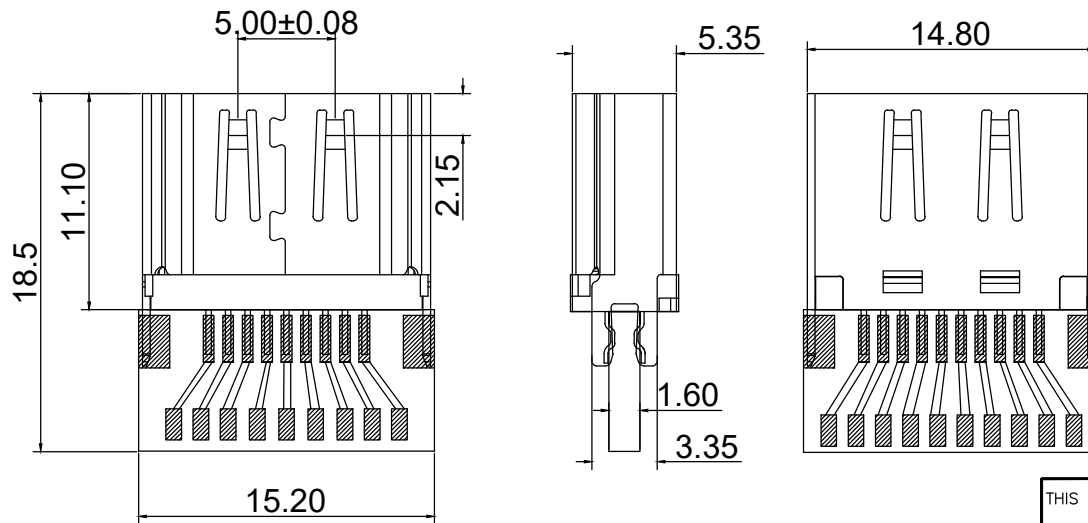
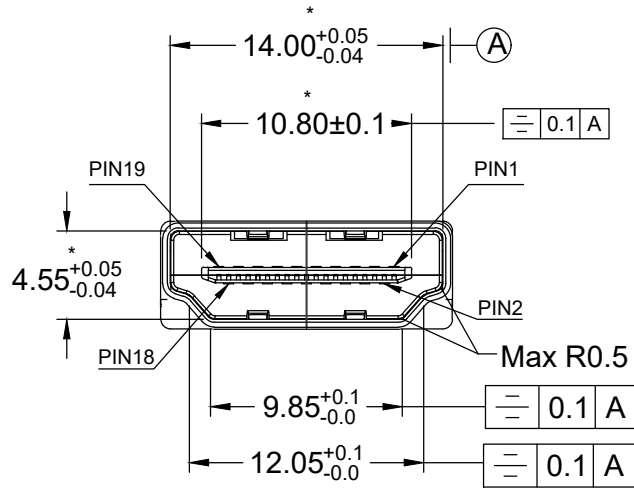


RoHS Compliance



SPECIFICATION :

1. Electrical Characteristics :

Contact Current Rating : 0.5 A

Dielectric Withstanding Voltage : 300V AC

Insulation Resistance : a. Insertion 100MΩ Min. at 500V/DC

b. Withdrawal 10MΩ Min. at 150V/DC

Contact Resistance : 30mΩ Max.

Temperature Range : -20° C to +85° C.

2. Mechanical :

Insertion Force : 44.1N Max.

Withdrawal Force : 9.8N Min. ; 39.2N Max.

Durability : 10,000 Cycles.

3. Material :

Housing : Thermoplastics High Temp., LCP+Glass Fiber,

Black, UL94V-0.

Contact : Copper Alloy, T=0.20mm.

Shell : SPCC, T=0.40mm.

4. Plating :

Contact : G/F Plating on Contact Area,
100u"Min. Tin Plating ON Solder-Tails.

50u"Min, Nickel Under-Plating Over All.

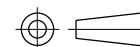
Shell : G/F Plating, Nickel Under Plating Over All.

5. "*"Key means Control Dimension.

THIS DRAWING IS A CONTROLLED DOCUMENT.
DO NOT SCALE DRAWING.

DIMENSIONS:
MM

TOLERANCES UNLESS
OTHERWISE SPECIFIED:



THIRD ANGLE PROJECTION

MATERIAL

SEE NOTES

X ± 0.3
X.X ± 0.2
X.XX ± 0.1
X.XXX ± 0.05
ANGLES ± 5.0°

FINISH

SEE NOTES



TITLE

HDMI AF G/F, W/PCB,
T/L.18.5mm, Shell G/F.

REVISIONS	DESCRIPTION	DATE	APVD
△ -			
LTR			

DWN	T. LI	DATE	OCT-17-2019
CHK	D. Wang		OCT-17-2019
APVD	R. Tsai		OCT-17-2019

SIZE	DRAWING NO	XHDMI-AFPCGX-01
A3		
WEIGHT	- GRAMS Ref.	REV A SHEET 1/1