



10G BASE-T SMD LAN TRANSFORMERS

P/N: XTFZ-PMZ3N1ZHM-2

Page : 1/3

Feature

- OCL: 120 uH Min @100KHz 100mV with 21mA DC Bias.
- Leakage Inductance: 0.5uH Max @ 100KHz, 0.1V.
- DCR: 900mΩ Max.
- Isolation Hipot: 1500VAC 1mA 60S.
- POE Support 90W: Each channel supports 900mA DC balance current, Full channel supports 1800mA DC balance current.

Electrical Specifications @ 25°C

Part Number	Turns Ratio (±5%) TX/RX	Insertion Loss (dB Max)				Cross talk (dB Typ)
		1~200MHz	200~300MHz	300~400MHz	400~500MHz	1-500MHz
XTFZ-PMZ3N1ZHM-2	1CT:1CT	-1.2	-1.5	-2.0	-3.0	-25

Electrical Specifications @ 25°C

Part Number	Return Loss (dB Min)					CMR (dB Typ)
	1~100MHz	100~200MHz	200~300MHz	300~400MHz	400~500MHz	1-500MHz
XTFZ-PMZ3N1ZHM-2	-18	-16	-12	-10	-8	-25

* Operating temperature range: 0°C to +70°C..Storage temperature range: -40°C to +85°C.

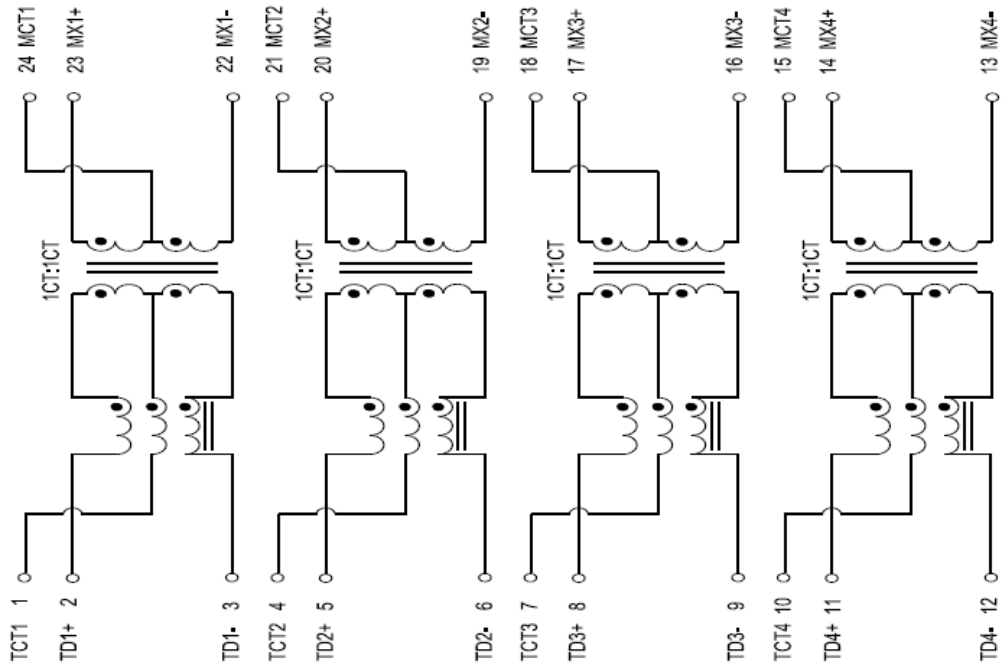


10G BASE-T SMD LAN TRANSFORMERS

P/N: XTFZ-PMZ3N1ZHM-2

Page : 2/3

Schematic



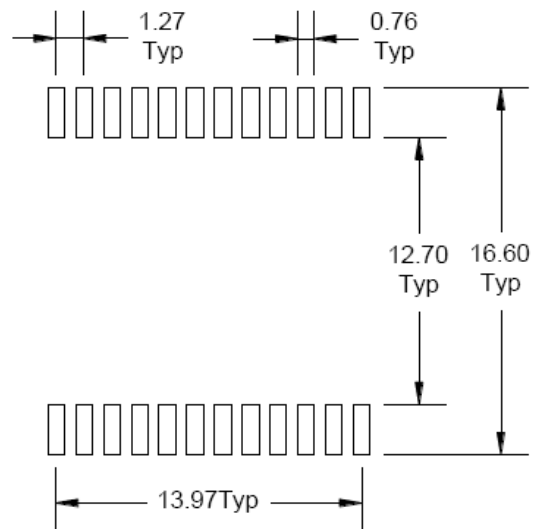
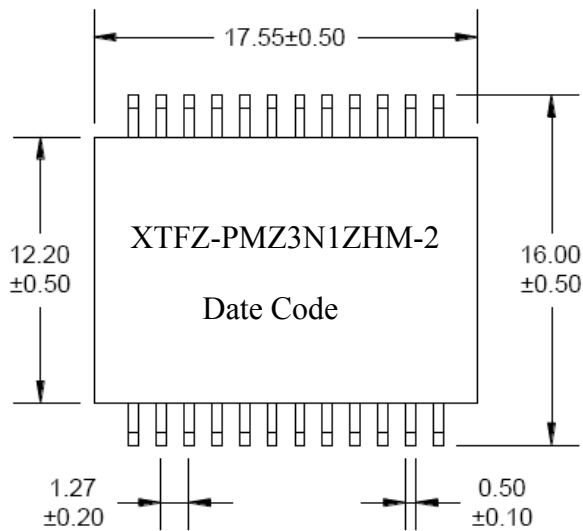


10G BASE-T SMD LAN TRANSFORMERS

P/N: XTFZ-PMZ3N1ZHM-2

Page : 3/3

Mechanical



Suggested PAD Layout

