



SINGLE PORT 2.5G THROUGH HOLE LAN TRANSFORMERS

P/N: XTFZ-PCS5Y1ZB

Page : 1/3

Feature

- IEEE 802.3at: 720mA Current Capability.
- DCR: 1200mΩ Max.
- LK: 0.5uH Max{@100KHz/0.1V}.
- Isolation Hipot: 1500VAC 60S.
- Rohs compliant.

Electrical Specifications @ 25°C							
Part Number	Turns Ratio (±5%)		OCL(μH Min) @100KHz/0.1V with 8.0mA DC	Insertion Loss (dB Max)		Cross Talk (dB Min)	HI-POT (Vrms)
	TX	RX		1-100MHz	100-200MHz	1-150MHz	
XTFZ-PCS5Y1ZB	1CT:1CT	1CT:1CT	200	-1.0	-2.0	-30	1500
Electrical Specifications @ 25°C							
Part Number	Return Loss (dB Min)						DCMR (dB Min)
	1-30MHz	30-60MHz	60-80MHz	80-100MHz	100-125MHz	125-150MHz	1-150MHz
XTFZ-PCS5Y1ZB	-20	-16	-14	-12	-10	-8	-30

* Operating temperature range : 0°C to +70°C. Storage temperature range: -25°C to +125°C.

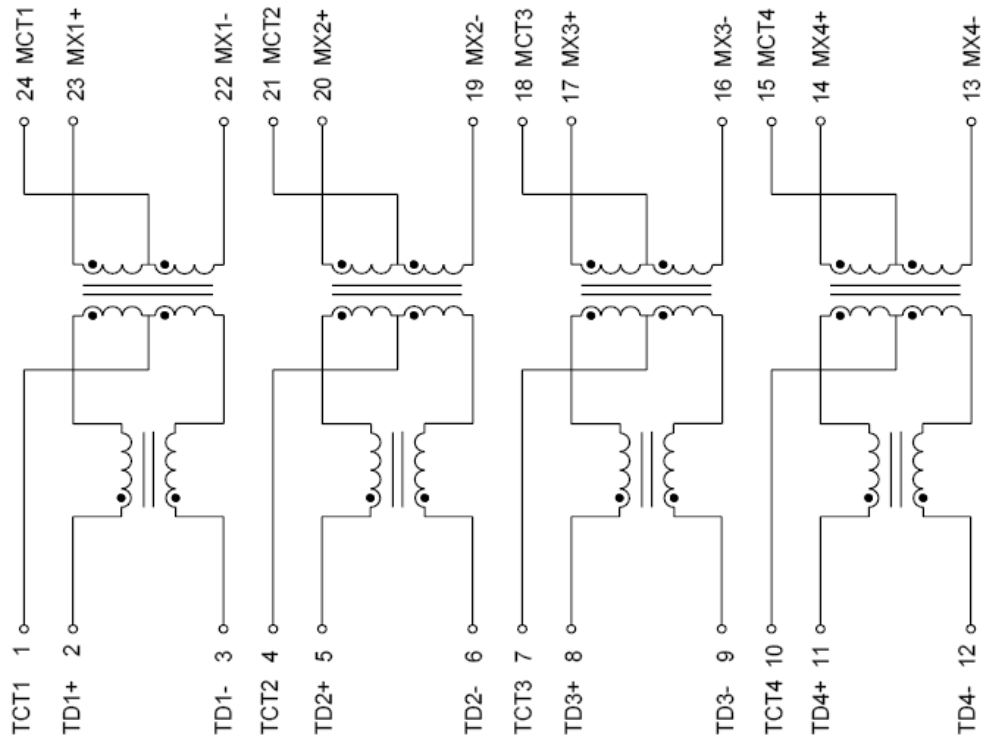


SINGLE PORT 2.5G THROUGH HOLE LAN TRANSFORMERS

P/N: XTFZ-PCS5Y1ZB

Page : 2/3

Schematic





SINGLE PORT 2.5G THROUGH HOLE LAN TRANSFORMERS

P/N: XTFZ-PCS5Y1ZB

Page : 3/3

Mechanical

