



SINGLE PORT 1000 BASE –T SMD LAN MAGNETICS MODULE

P/N: XTFZ-PC13N1ZH

Page : 1/3

Feature

- Leakage Inductance: 0.5uH Max @ 100MHz,0.1V.
- IEEE802.3at compliant performance---720mA Current Capability
- Isolation HI-POT: 1500VAC 1mA 60S.
- RoHS compliant.

Electrical Specifications @ 25°C						
Part Number	Turns Ratio (±5%)		OCL(μH Min) @100KHz/0.1V with 8.0mA DC	Insertion Loss (dB Max)	DCMR (dB Min)	DCR (Ω Max)
	TX	RX		1-100MHz	1-100MHz	
PC13N1ZH	1CT:1CT	1CT:1CT	350	-1.1	-30	1.4
Electrical Specifications @ 25°C						
Part Number	Return Loss (dB Min)				Cross Talk (dB Min)	
	1-40MHz	50MHz	60-80 MHz	100MHz	1-100MHz	
PC13N1ZH	-16	-14.1	-12	-10	-30	

* Operating temperature range: -40°C to +85°C. Storage temperature range: -40°C to +125°C.

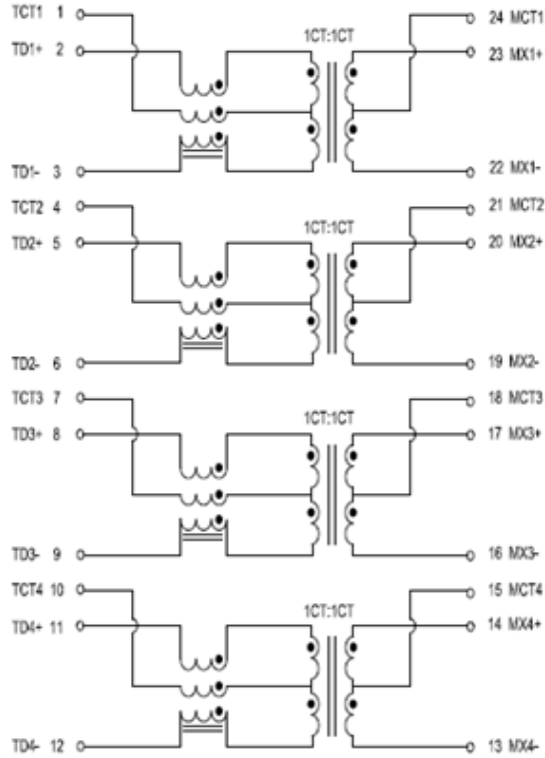


SINGLE PORT 1000 BASE -T SMD LAN MAGNETICS MODULE

P/N: XTFZ-PC13N1ZH

Page : 2/3

Schematic



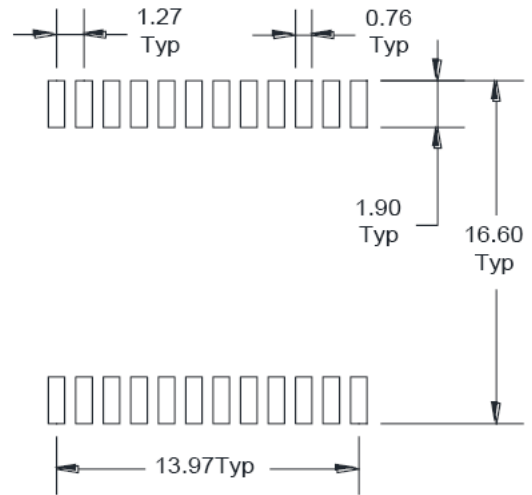
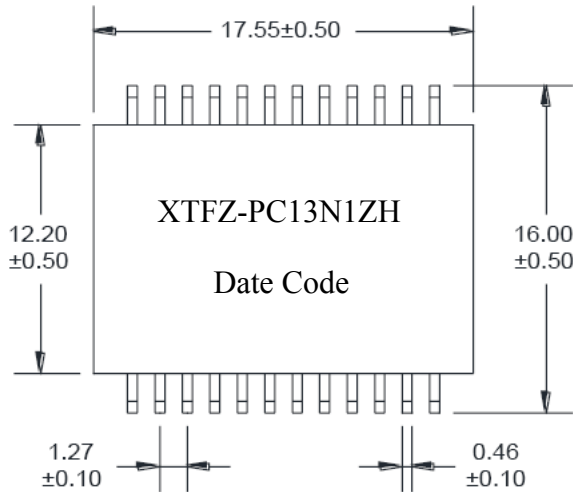


SINGLE PORT 1000 BASE -T SMD LAN MAGNETICS MODULE

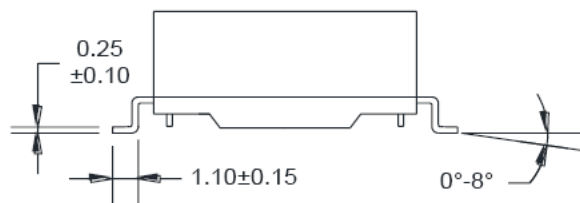
P/N: XTFZ-PC13N1ZH

Page : 3/3

Mechanical



Suggested PAD Layout



Units: mm[Inches].

Tolerance: ± 0.25 (0.010) unless specified otherwise.