



10/100 BASE-TX VOICE OVER IP MAGNETICS MODULE

P/N: XTFZ-LPZ3A1BA

Page : 1/2

Feature

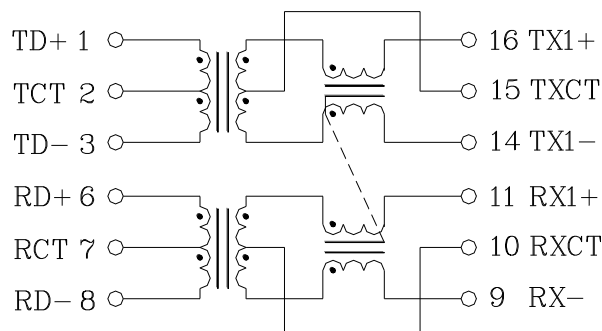
- IEEE 802.3af/ANSI X3.263 compliant performance.
- Designed to for IP phone or switch applications.
- RoHS compliant.

Electrical Specifications @ 25°C						
Part Number	Turns Ratio (±5%) TX/RX	OCL (µH Min) @100KHz/0.1V	Cross talk (dB Min)			HI-POT (Vrms)
			30MHz	60MHz	100MHz	
XTFZ-LPZ3A1BA	1CT : 1CT	350	-45	-40	-35	1500

Electrical Specifications @ 25°C								
Part Number	Insertion Loss (dB Max)	Return Loss @Load 100Ω (dB Min)				DCMR (dB Min)		
		1-100MHz	1-30MHz	40MHz	50MHz	60-80MHz	30MHz	60MHz
XTFZ-LPZ3A1BA	-1.2	-16	-14	-13	-12	-43	-37	-33

* Operating temperature range : 0°C to +70°C. Storage temperature range: -25°C to +125°C.

Schematic



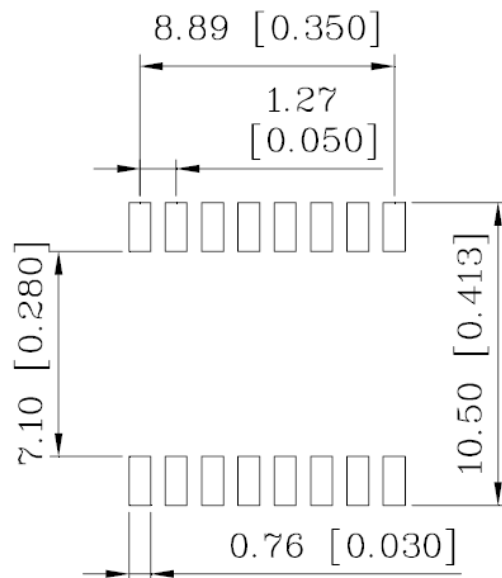
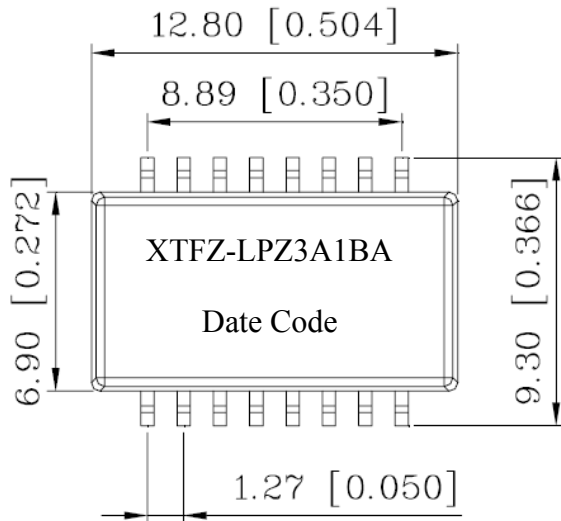


10/100 BASE-TX VOICE OVER IP MAGNETICS MODULE

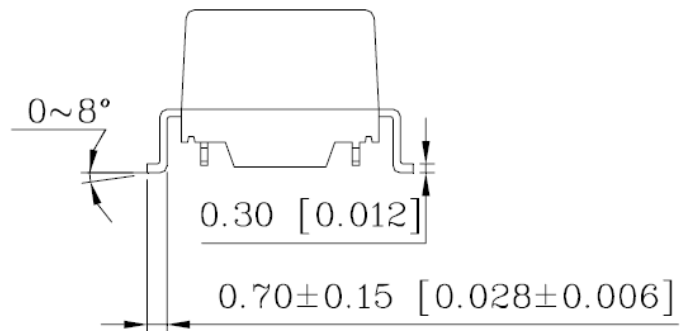
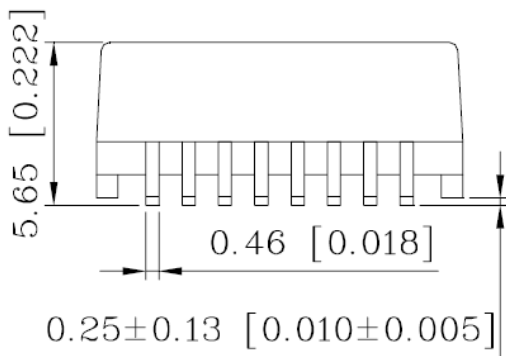
P/N: XTFZ-LPZ3A1BA

Page : 2/2

Mechanical



SUGGESTED PAD LAYOUT



Units: mm[Inches].

Tolerance: ±0.25(0.010) unless specified otherwise.