



# FIVE PORT 10/100 BASE MAGNETICS MODULE

P/N: XTFZ-LCZ5K5CB

Page : 1/4

## Feature

- Designed to meet IEEE 802.3u/ANSI X3.263 requirement.
- Lead-Free & Designed to meet ROHS requirement.
- DCR: 1.4Ω Max.
- HI-POT: 1500V.
- RoHS compliant.

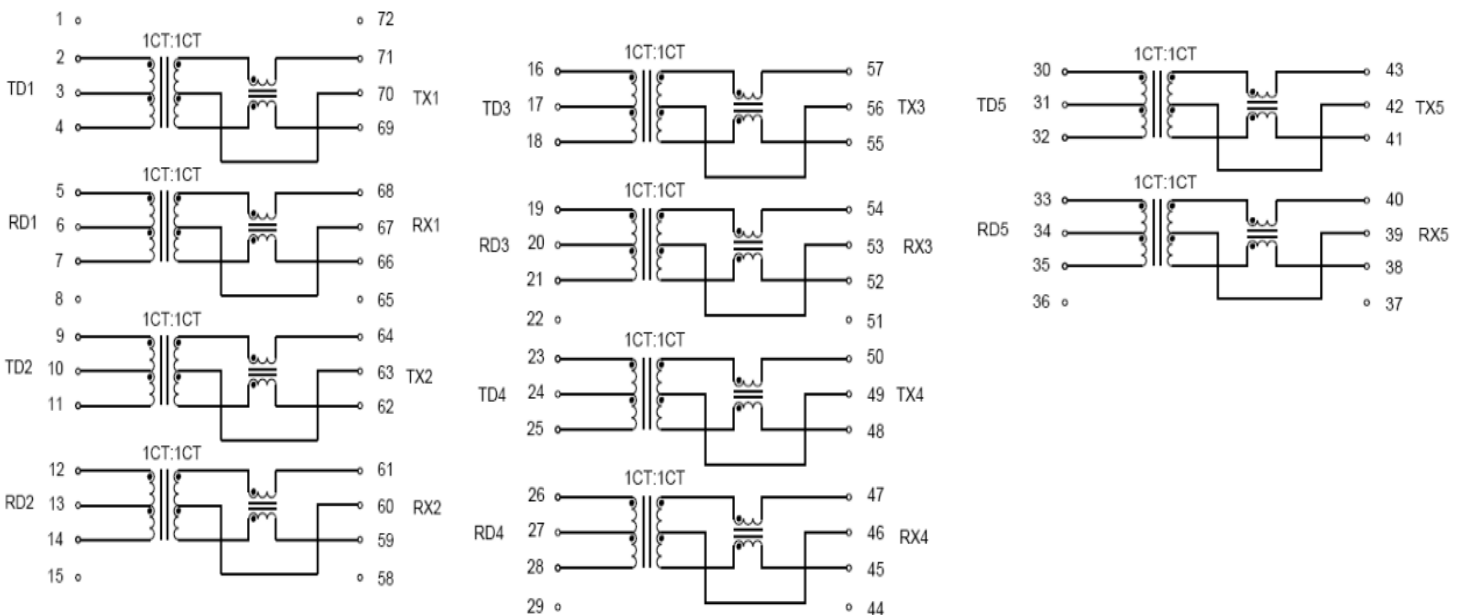
Electrical Specifications @ 25°C					
Part Number	Turns Ratio (±5%)		OCL(μH Min) @100KHz/0.1V with 8.0mA DC	Insertion Loss (dB Max) 1-100MHz	HI-POT (Vrms)
	TX	RX			
XTFZ-LCZ5K5CB	1CT : 1CT	1CT : 1CT	350	-1.10	1500

Electrical Specifications @ 25°C						
Part Number	Return Loss (dB Min)				Cross Talk (dB Min) 1-100MHz	DCMR (dB Min) 1-100MHz
	01-30MHz	40MHz	50MHz	60-80MHz		
XTFZ-LCZ5K5CB	-18	-14.4	-13.1	-12	-30	-30

\* Operating temperature range: 0°C to +70°C. Storage temperature range: -20°C to +125°C.

## Schematic



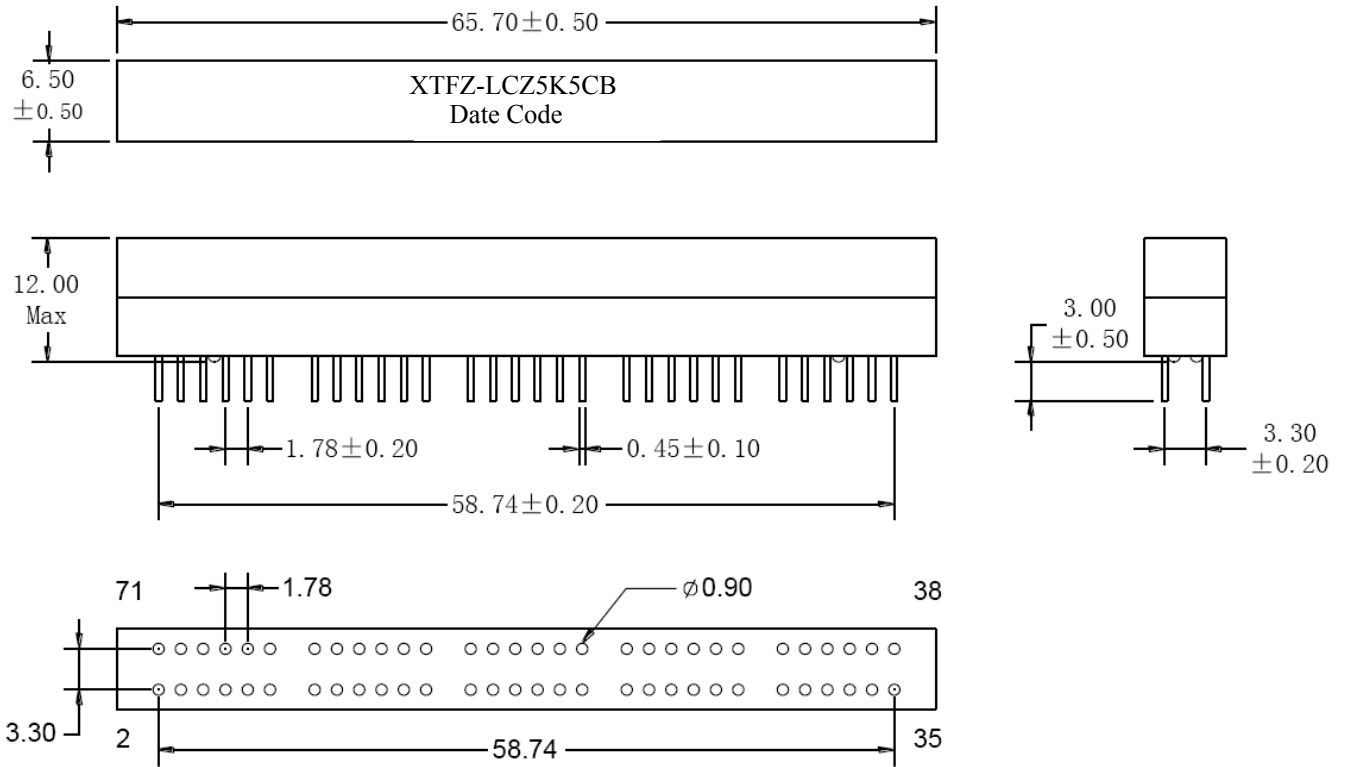


# FIVE PORT 10/100 BASE MAGNETICS MODULE

## P/N: XTFZ-LCZ5K5CB

Page : 2/4

### Mechanical



Units: mm[Inches].

Tolerance:  $\pm 0.25(0.010)$  unless specified otherwise.



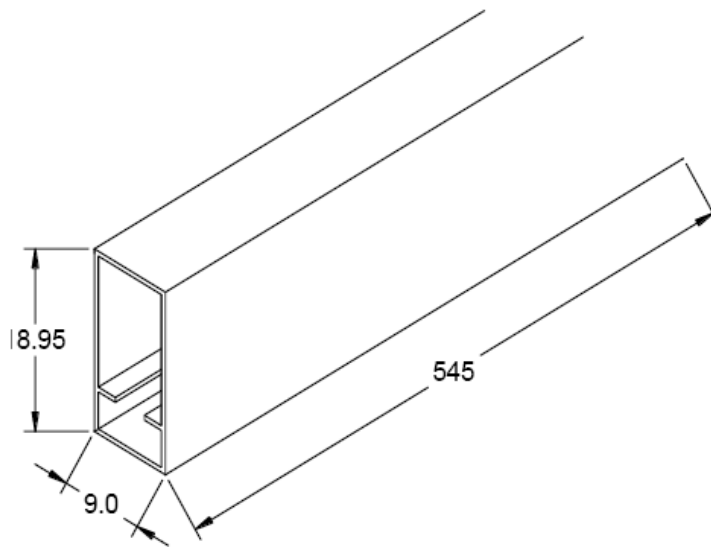
## FIVE PORT 10/100 BASE MAGNETICS MODULE

P/N: XTFZ-LCZ5K5CB

Page : 3/4

### Packing

---



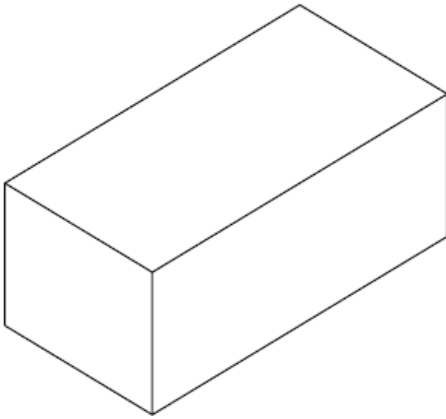
Tube: 545\*9.0\*18.95mm



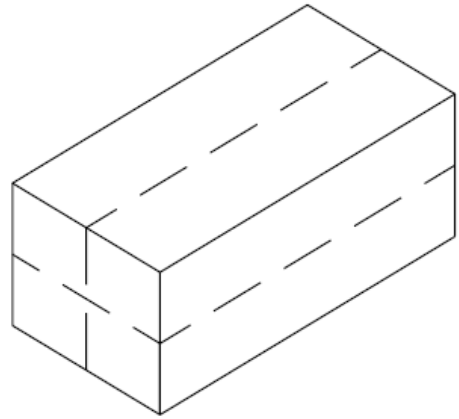
## **FIVE PORT 10/100 BASE MAGNETICS MODULE**

**P/N: XTFZ-LCZ5K5CB**

Page : 4/4



Inner Carton: L570\*W180\*H100mm



Export Carton: L580\*W380\*H240mm

### Package Quantity:

One Tube=8Pcs

One Inner Carton=8\*72=576Pcs

One Export Carton=576\*4=2304Pcs