



100/1000BASE-T LAN TRANSFORMERS

P/N: XTFZ-LCZ3Y2ZE

Page : 1/2

Feature

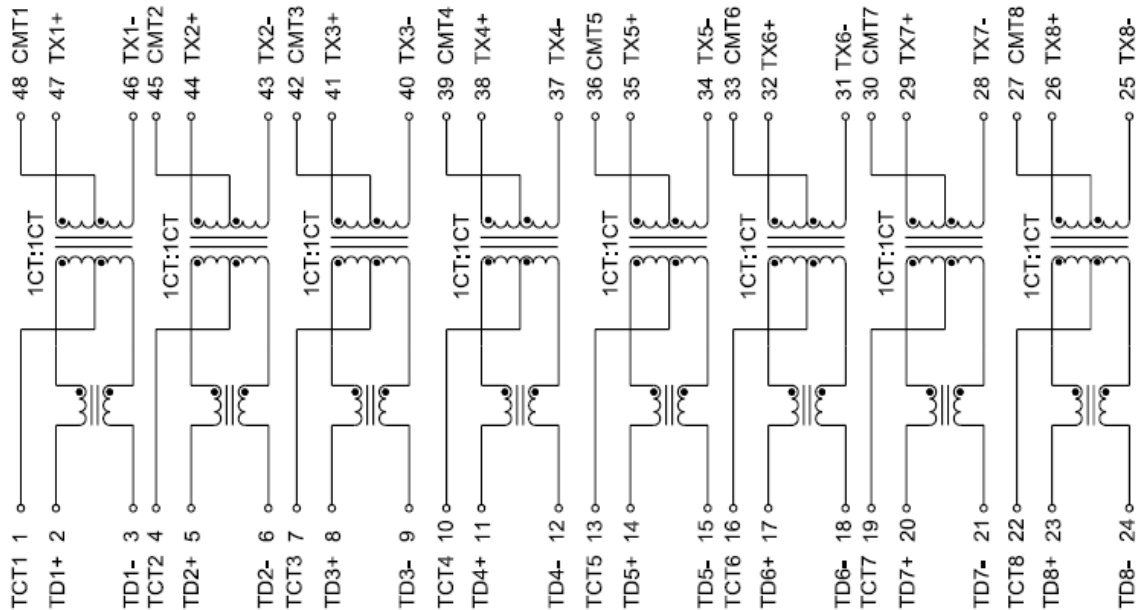
- Leakage Inductance: 0.5uH Max @ 100KHz, 0.1V.
- DCR: 1400mΩ Max.
- Isolation Hipot: 1500VAC 1mA 60S.
- Rohs Compliant.

Electrical Specifications @ 25°C						
Part Number	Turns Ratio (±5%)		OCL(μH Min) @100KHz/0.1V with 8.0mA DC	Insertion Loss (dB Max)	Cross Talk (dB Min)	HI-POT (Vrms)
	TX	RX		1-100MHz	1-100MHz	
XTFZ-LCZ3Y2ZE	1CT:1CT	1CT:1CT	350	-1.0	-30	1500

Electrical Specifications @ 25°C						
Part Number	Return Loss (dB Min)					CMR (dB Min)
	1-30MHz	40MHz	50MHz	60-80MHz	100MHz	1-100MHz
XTFZ-LCZ3Y2ZE	-18	-14.4	-13.1	-12	-10	-30

* Operating temperature range : 0°C to +70°C. Storage temperature range: -40°C to +85°C.

Schematic



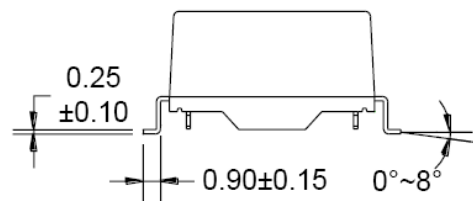
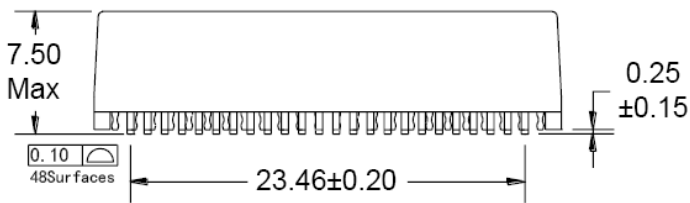
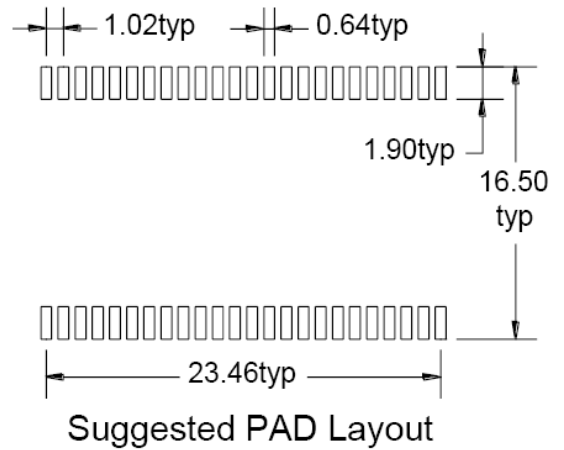
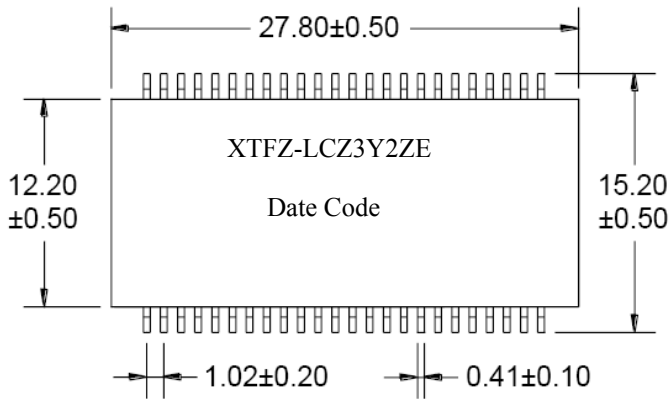


100/1000BASE-T LAN TRANSFORMERS

P/N: XTFZ-LCZ3Y2ZE

Page : 2/2

Mechanical



Units: mm[Inches].

Tolerance: ± 0.25 (0.010) unless specified otherwise