



1000 BASE-T MAGNETICS TRANSFORMER MODULE

P/N: XTFZ-LCZ3K1ZA

Page : 1/2

Feature

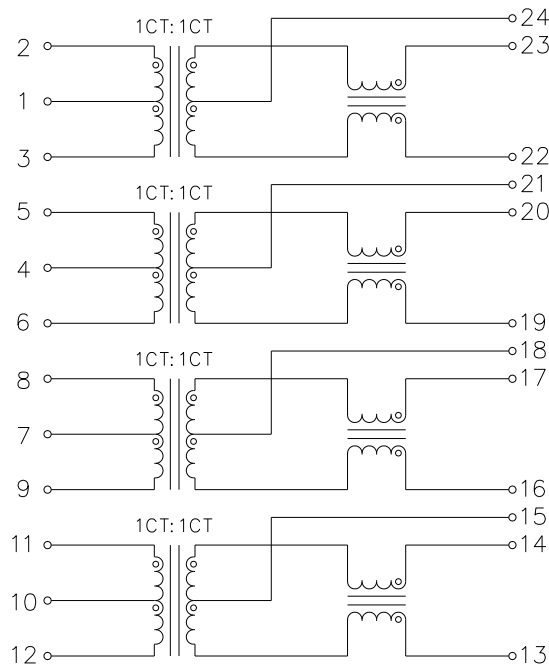
- Leakage Inductance: 0.5uH Max @ 100KHz, 0.1V.
- DCR: 1400mΩ Max.
- Isolation Hipot: 1500VAC 1mA 60S.
- RoHS compliant.

Electrical Specifications @ 25°C						
Part Number	Turns Ratio (±5%)		OCL(μH Min) @100KHz/0.1V with 8.0mA DC	Insertion Loss (dB Max)	Cross Talk (dB Min)	HI-POT (Vrms Min)
	TX	RX		1-100MHz	1-100MHz	
XTFZ-LCZ3K1ZA	1CT:1CT	1CT:1CT	350	-1.1	-30	1500

Electrical Specifications @ 25°C						
Part Number	Return Loss @100Ω (dB Min)					DCMR (dB Min)
	1-30MHz	40MHz	50MHz	60-80MHz	100MHz	1-100MHz
XTFZ-LCZ3K1ZA	-18	-14.4	-13.1	-12	-10	-30

* Operating temperature range: 0°C to +70°C. Storage temperature range: -25°C to +125°C.

Schematic



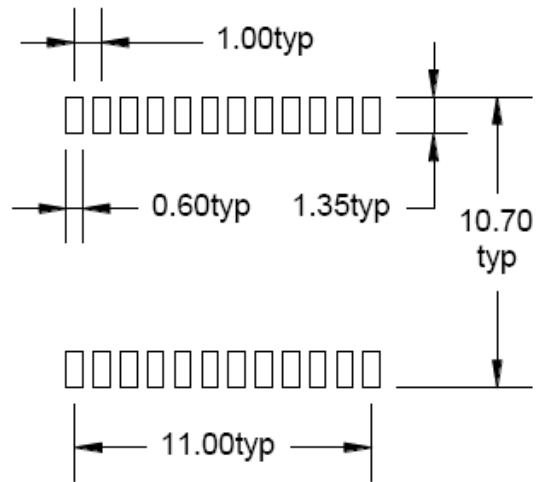
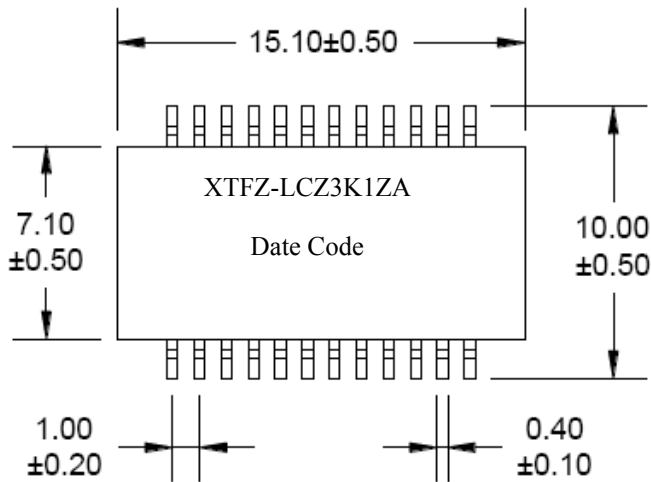


1000 BASE-T MAGNETICS TRANSFORMER MODULE

P/N: XTFZ-LCZ3K1ZA

Page : 2/2

Mechanical



Suggested PAD Layout

