



SINGLE PORT 10/100 BASE PULSE TRANSFORMER

P/N: XTFZ-LCZ3A1CC

Page : 1/4

Feature

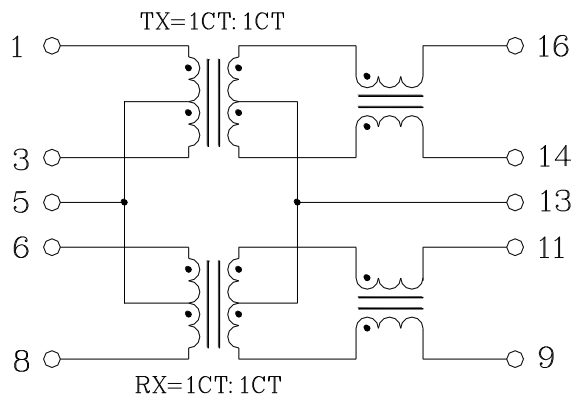
- Leakage Inductance:0.5uH Max @ 100KHz,0.1V.
- Complies with IEEE 802.3 standards.
- DCR:1400mΩ Max.
- RoHS compliant.

Electrical Specifications @ 25°C					
Part Number	Turns Ratio (±5%)		OCL(μH Min) @100KHz/0.1V With 8.0mA DC	Insertion Loss (dB Max)	HI-POT (Vrms)
	TX	RX		1-100MHz	
XTFZ-LCZ3A1CC	1CT : 1CT	1CT : 1CT	350	-1.1	1500

Electrical Specifications @ 25°C							
Part Number	Return Loss (dB Min)					Cross talk (dB Min)	DCMR (dB Min)
	1-30MHz	40MHz	50MHz	60-80MHz	100MHz	1-100MHz	1-100MHz
XTFZ-LCZ3A1CC	-18	-14.4	-13.1	-12	-10	-30	-30

* Operating temperature range: 0°C to +70°C. Storage temperature range: -25°C to +125°C.

Schematic



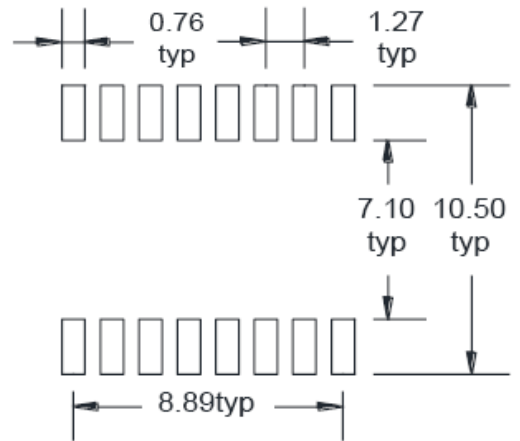
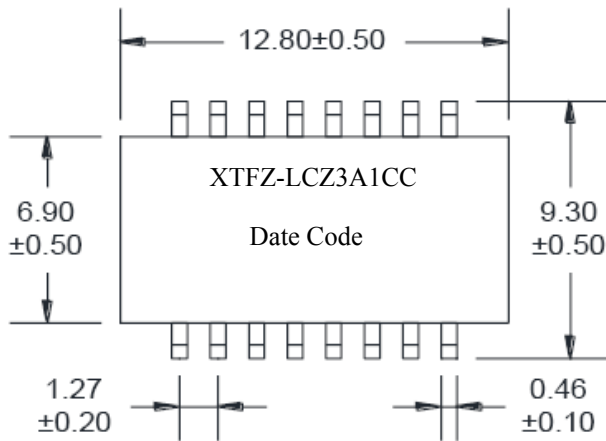


SINGLE PORT 10/100 BASE PULSE TRANSFORMER

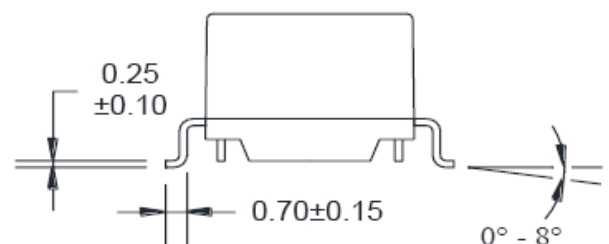
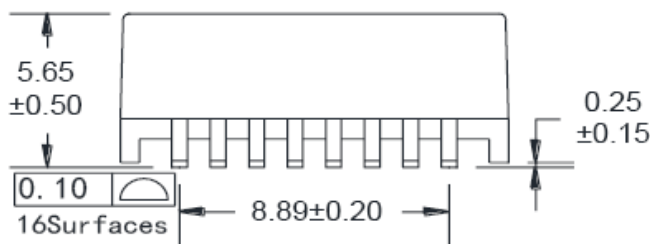
P/N: XTFZ-LCZ3A1CC

Page : 2/4

Mechanical



Suggested PAD Layout



Units: mm[Inches].

Tolerance: ± 0.25 (0.010) unless specified otherwise.

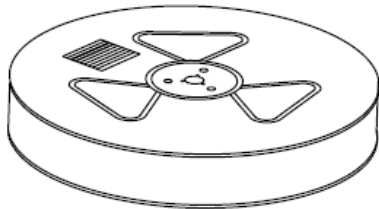
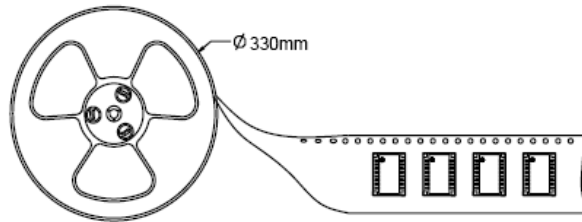
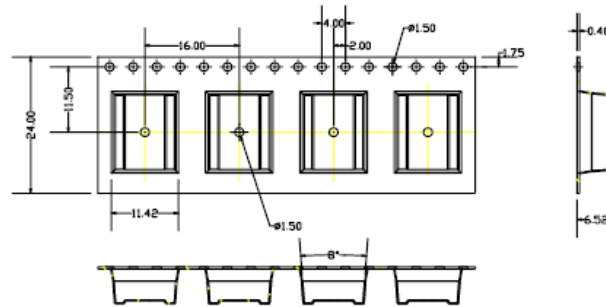


SINGLE PORT 10/100 BASE PULSE TRANSFORMER

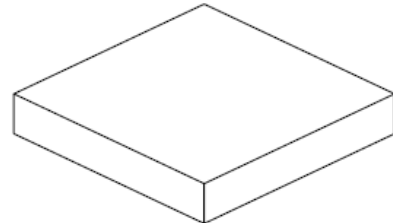
P/N: XTFZ-LCZ3A1CC

Page : 3/4

Packing



three reel



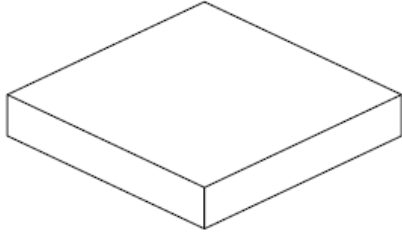
Inner Carton



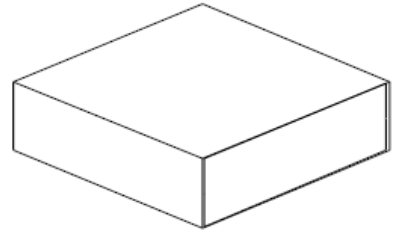
SINGLE PORT 10/100 BASE PULSE TRANSFORMER

P/N: XTFZ-LCZ3A1CC

Page : 4/4



two Inner Carton



Export Carton

Package Quantity:

One Reel=600Pcs

One Inner Carton=600*3=1800Pcs

One Export Carton=1800*2=3600Pcs