



QUAD PORT 10/100 BASE PULSE TRANSFORMER

P/N: XTFZ-LC13W4CA

Page : 1/3

Feature

- Isolation Hipot: 1500VAC 1mA 60S.
- Leakage Inductance: 0.5uH Max @ 100KHz, 0.1V.
- DCR: 1400mΩ Max.
- RoHs compliant.

Electrical Specifications @ 25°C						
Part Number	Turns Ratio (±5%)		OCL(μH Min) @100KHz/0.1V with 8.0mA DC	Insertion Loss (dB Max) 1-100MHz	HI-POT (Vrms)	
	TX	RX				
XTFZ-LC13W4CA	1CT:1CT	1CT:1CT	350	-1.1	1500	
Electrical Specifications @ 25°C						
Part Number	Return Loss (dB Min)				Cross Talk (dB Min) 1-100MHz	DCMR (dB Min) 1-100MHz
	1-30MHz	40MHz	50MHz	60-80MHz		
XTFZ-LC13W4CA	-18	-14.4	-13.1	-12	-30	-30

* Operating temperature range: -40°C to +85°C. Storage temperature range: -40°C to +125°C.

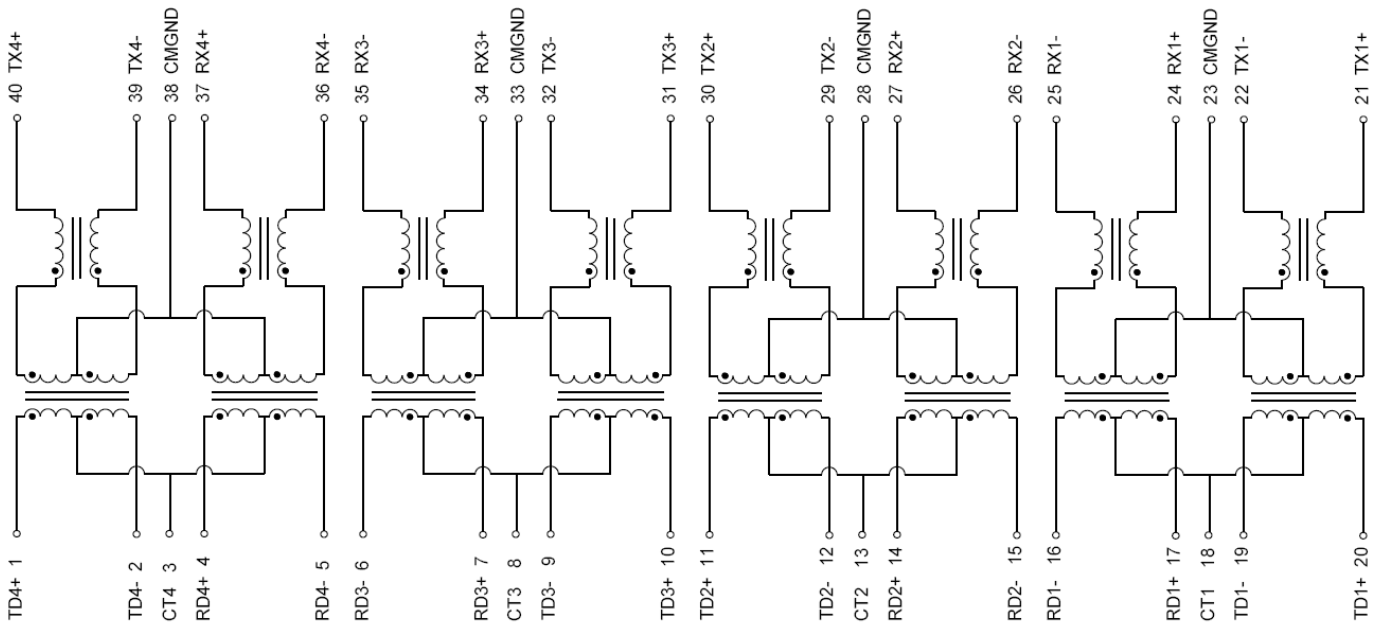


QUAD PORT 10/100 BASE PULSE TRANSFORMER

P/N:XTFZ-LC13W4CA

Page : 2/3

Schematic



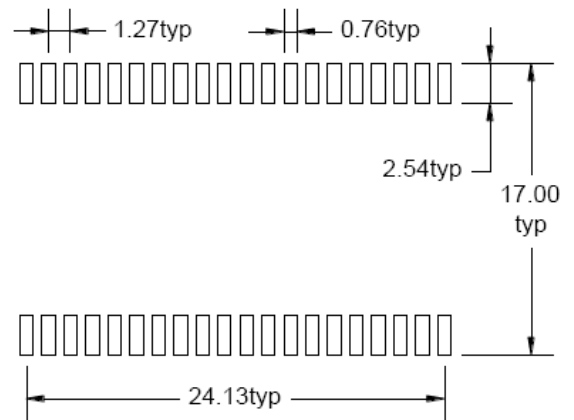
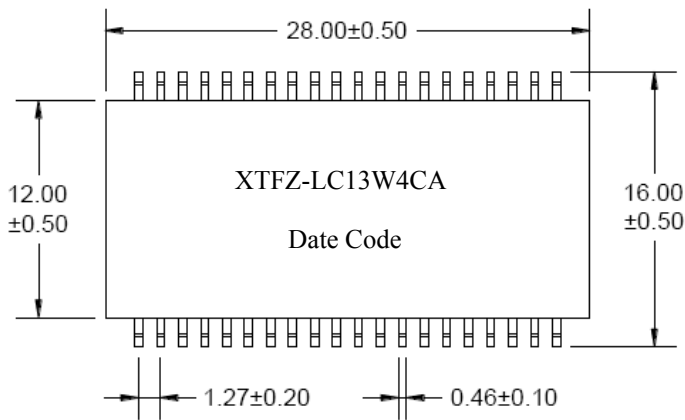


QUAD PORT 10/100 BASE PULSE TRANSFORMER

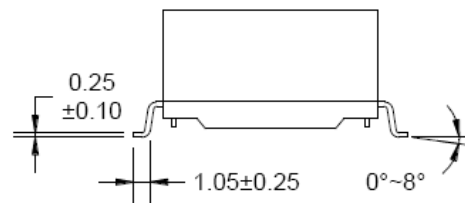
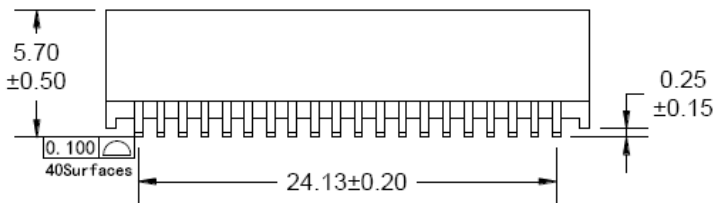
P/N: XTFZ-LC13W4CA

Page : 3/3

Mechanical



Suggested PAD Layout



Units: mm[Inches].

Tolerance: $\pm 0.25(0.010)$ unless specified otherwise